

alpha Premium Line Product catalog

Unique
Individual
Highly efficient



© 2024 by WITTENSTEIN alpha GmbH

All technical specifications were correct at the time of going to print. We are continually developing our products and therefore reserve the right to make modifications. This documentation is subject to occasional errors. Please appreciate that legal claims cannot be asserted as a result of incorrect specifications, illustrations or descriptions. The text, photos, technical drawings and any other illustrations printed in this publication are protected property of WITTENSTEIN alpha GmbH.

Further use of this material in printed or electronic format requires express approval from WITTENSTEIN alpha GmbH.

Any form of duplication, translation, editing, transfer to microfilm or storage on electronic systems is not permitted without express permission from WITTENSTEIN alpha GmbH.

Contents

Foreword by company management	6
WITTENSTEIN alpha	8
More than 40 years of innovation	8
Engineering tools	12
alpha Premium Line	16
Product range and applications	16
Planetary gearboxes	22
XP+	24
RP+	44
Hypoid gearboxes	60
XPK+ / RPK+	62
Bevel gearboxes	72
XPC+ / RPC+	74
Product portfolio & company	84
Gearbox overview	84
alpha Linear Systems	94
Digital product feature - cynapse®	96
premo® servo actuators	98
Galaxie® drive systems	100
Accessories	102
Services	106
WITTENSTEIN Group	112
Information	114
Design strategy	114
Glossary	116
Order codes	124



Dear Business Associates,

Even though we are extremely passionate about technology and innovation, the success of our customers is our top priority. We have designed our products and services to help you achieve a competitive advantage – through consistently high quality, permanent availability and the best service worldwide.

The product portfolio is divided into four product segments, which have already been successfully established on the market. The alpha Premium Line offers unique, individual solutions. Our alpha Advanced Line provides maximum power density, compact precision and outstanding positioning accuracy. Gearboxes of the alpha Basic and alpha Value Line are especially suitable for applications requiring cost-oriented, particularly flexible yet efficient solutions.

You are sure to find the right solution quickly and easily from our product range. We offer holistic mechanical and mechatronic drive solutions for all types of axis. We also provide complete solutions from a single source on request. Our range of products and solutions will continue to grow in the future because we never stop developing new ideas to make your work easier.

Take our word for it!

Thomas Patzak and Norbert Pastoors
Managing Directors WITTENSTEIN alpha GmbH



YOUR WORLD IS OUR DRIVE.

FOR MORE THAN 40 YEARS.



SP



LP



Linear systems



TPM+



High Performance
Linear System



alpha Value Line

1983

1994

1996

1999

2002

2004

2006

2007

2011

2013

2015

TP



cymex®
sizing software



XP+ / TP+ / SP+ / LP+



TPK+ / SPK+ /
HG+ / SK+ / TK+



HDV
Hygienic Design



PERFORMANCE

Performance where it counts:
High torque, outstanding precision and high power density – essential for our products and systems.

FUTURE PROOF

We live processes:
Only those who know the exact details of customer processes and requirements are in a position to develop solutions that offer added value in the short and long term.

SCALABILITY

You never make compromises:
Whatever the performance area – we offer solutions that grow with your requirements.



WITTENSTEIN

alpha

It is good to know today what will be needed tomorrow. Applying it in practice is even better. We develop technology that shapes the future – ENGINEERING FUTURE SOLUTIONS.

EFFICIENCY

We like it „lean“:
We offer products and systems that are energy-efficient and require minimal installation space in machines.

AVAILABILITY

You need reliability:
We have the widest range of products on the market and can implement your application „just in time“.

CONNECTIVITY

We think in terms of interfaces:
All of our systems can be integrated in a wide range of peripherals.



DP+ for Delta robots



INIRA®



alpha Linear Systems



alpha Basic Line



cynapse®



cymex® select



NTP

2016

cymex® 5



SIZING ASSISTANT



2017

V-Drive Family



2018

premo®



2019

CAD POINT



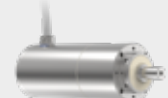
2022

WITTENSTEIN Service Portal



2023

axenia value



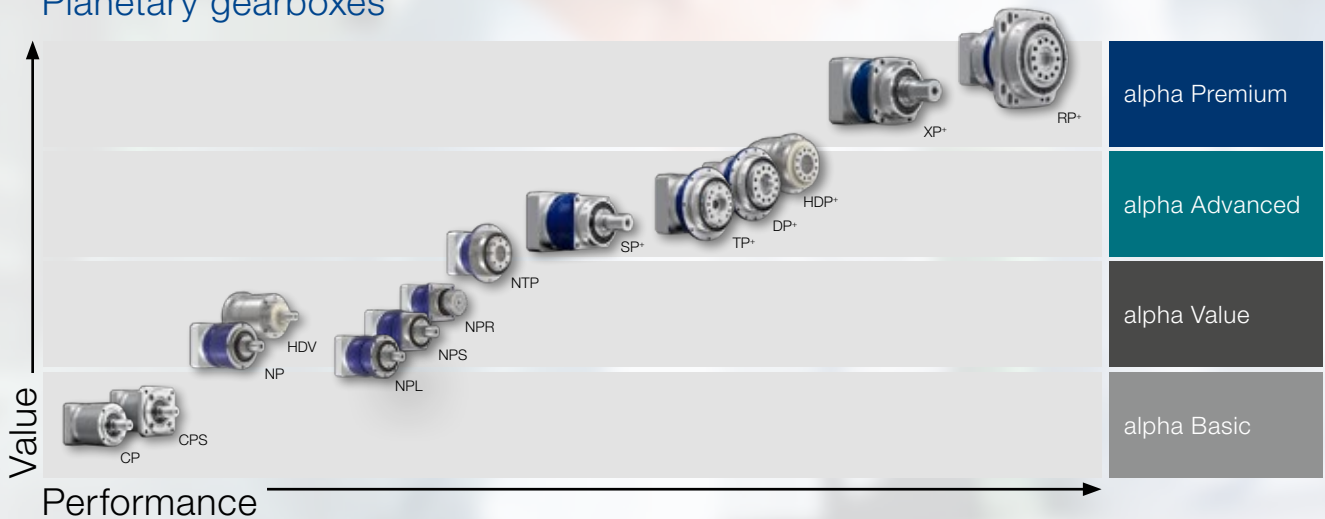
WITTENSTEIN alpha on all axes

Complete drive solutions under one roof

We offer the best solutions for almost every application. In addition to gearboxes, our product portfolio includes a wide range of drive solutions with linear systems and servo actuators. Adapted accessories such as couplings and shrink disks round off the product portfolio.

The diagrams below provide a quick overview of our product portfolio for a wide variety of requirements and applications:

Planetary gearboxes



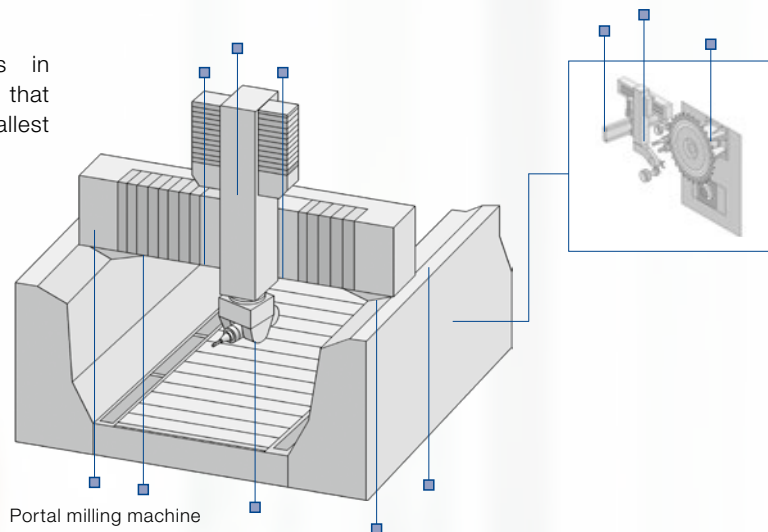
Hypoid, bevel and worm gearboxes



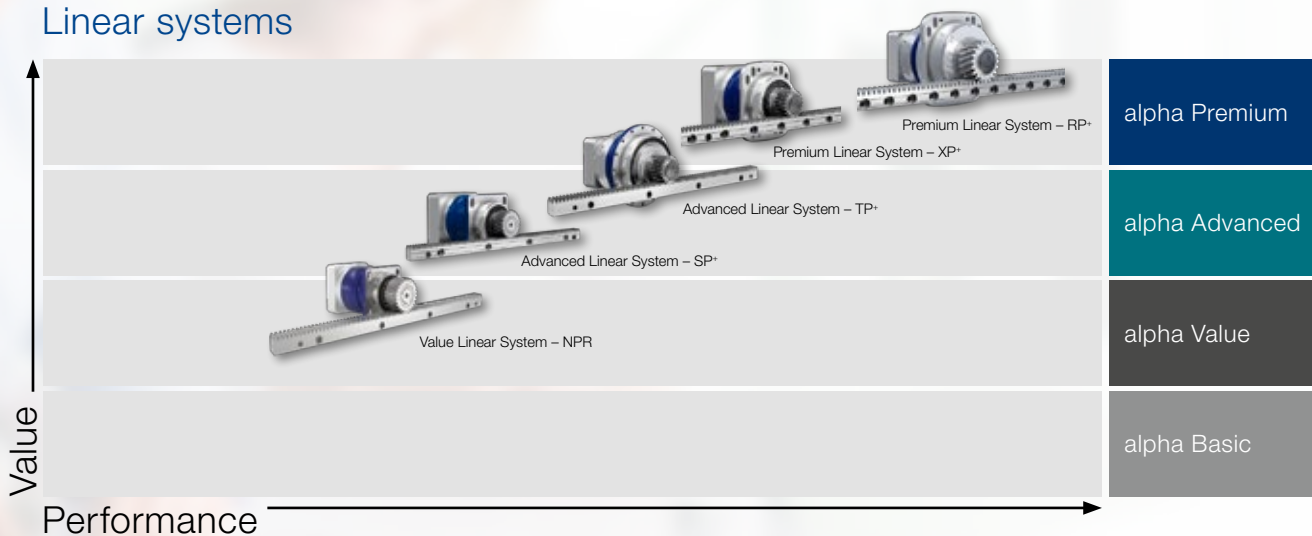
Know-how in every sector

Our solutions range from high-precision axes in manufacturing systems to packaging machines that must operate with maximum productivity in the smallest installation space. Overview:

- Machine tools and production technology
- Food and packaging machines
- Wood working machinery
- Printing and paper machines
- Robotics and automation



Linear systems



Servo actuators



WITTENSTEIN alpha Tools – many ways to reach your goals

Our software portfolio helps you choose the optimal drive

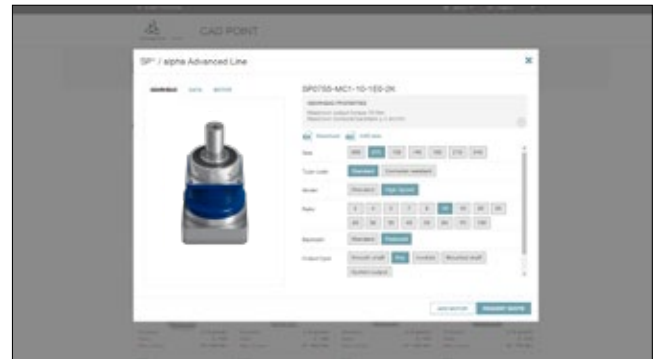
You can conveniently download dimension sheets and CAD data, select the best gearbox quickly and easily design complex kinematic sequences in detail – our software solutions offer various methods of selecting the best, most reliable drive on all axes.



CAD POINT – Your Smart Catalog

- Performance data, dimension sheets and CAD data for all types of gearboxes
- Comprehensive documentation of the selection
- Available online without logging in

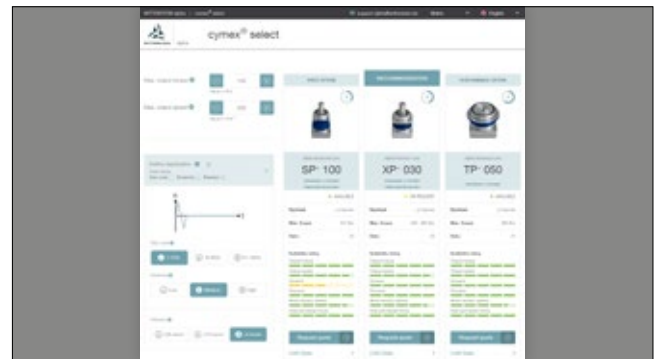
www.wittenstein-cad-point.com



cymex[®] select – Best solution within seconds

- Efficient and customizable product selection in seconds
- Top three product recommendations for your requirements
- Available online without login
- Possibility of requesting quotation quickly and directly

cymex-select.wittenstein-group.com

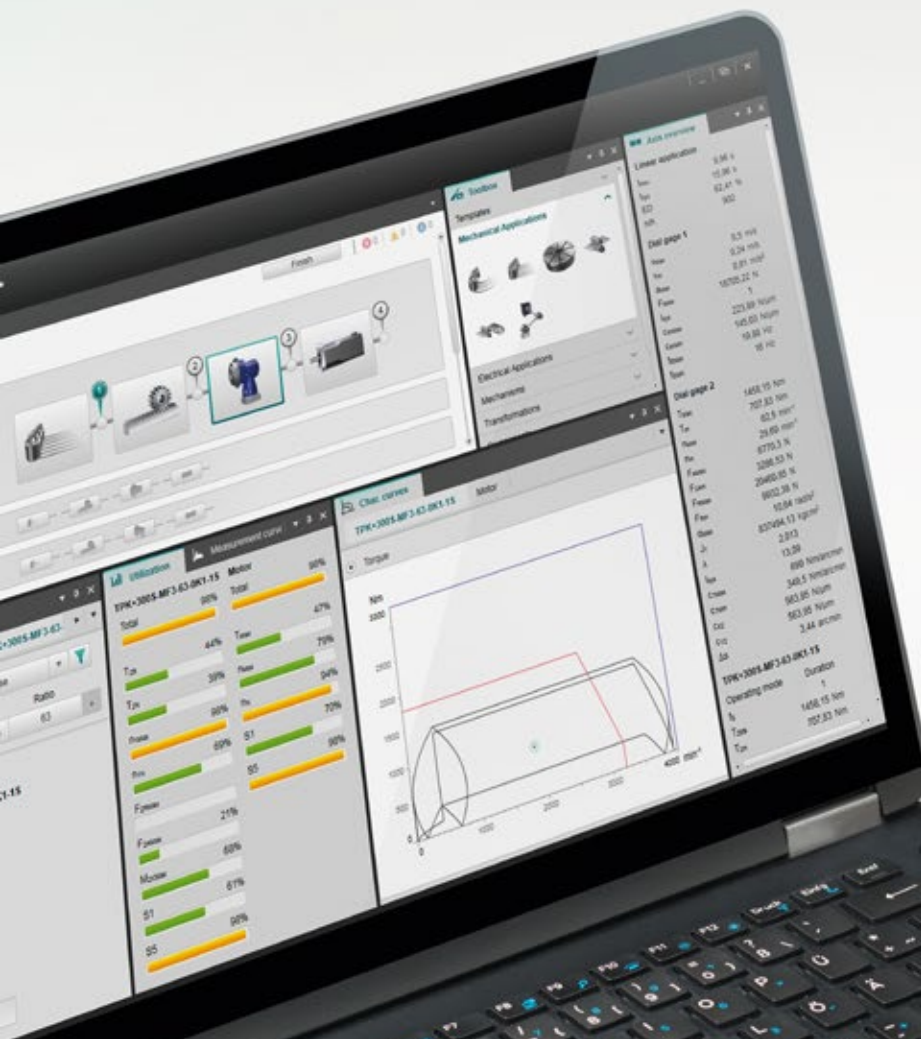


cymex[®] 5 – Calculate on the Best

- Detailed calculation of complete drive trains
- Precise simulation of motion and load variables
- Downloadable software for complex designs

www.wittenstein-cymex.com





Parameter	Value	Target
Total	90%	90%
Tot	44%	47%
Tot	39%	79%
Phase	90%	90%
Pin	90%	90%
Power	21%	90%
Motor	60%	67%
S1	90%	90%
S5	90%	90%

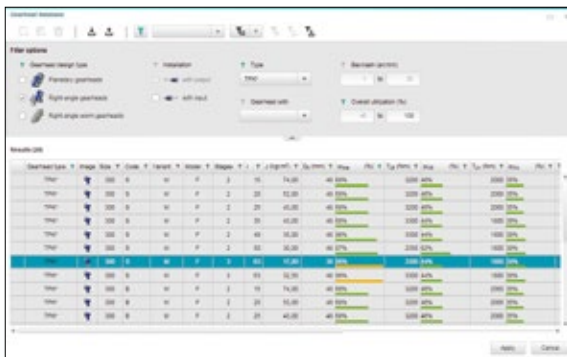
Parameter	Value
Linear application	0.96 s
Acc	12.98 s
Top	62.41 %
ED	902
ED	90%
Dist page 1	0.5 mm
Acc	0.24 mm
Top	0.81 mm/s
Acc	1020.22 N
Force	1
Force	223.89 N/mm
Control	140.03 N/mm
Control	19.88 Hz
Speed	90 Hz
Speed	1400.15 Nm
Top	207.83 Nm
Top	62.5 mm/s
Top	21.60 mm/s
Top	8775.3 %
Force	3208.50 N
Force	20490.90 N
Force	9020.36 N
Force	10.04 mm/s
Force	82044.12 rpm/s
Dist	2.973
Dist	13.29
Dist	490 Revolutions
Dist	348.5 Revolutions
Dist	983.85 N/mm
Dist	583.85 N/mm
Dist	3.44 g/min
Dist	1400.15 Nm
Dist	207.83 Nm

cymex® 5 is the current standard

With cymex® 5, the dimensioning and design of complete drive trains (application + transformation + gearbox + motor) is now fast, simple and reliable. Calculation is made much easier through predefined standard applications. Consideration for all major influencing factors guarantees an optimal design and increases the efficiency of your machine.

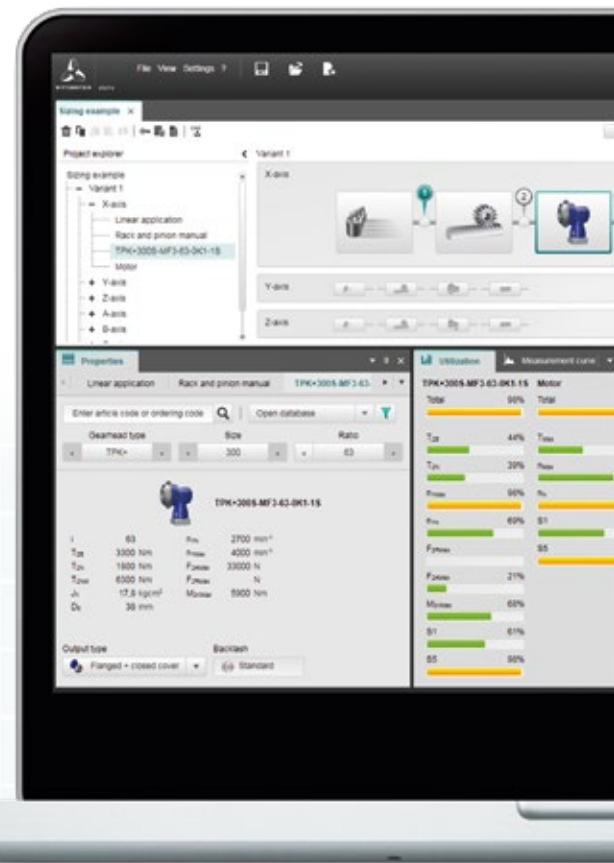
cymex® 5 can define any number of axes simultaneously

In contrast to other design tools, cymex® 5 can define any number of axes at the same time. The version calculation is up to 60 % quicker as a result.



cymex® 5 has an extremely extensive database

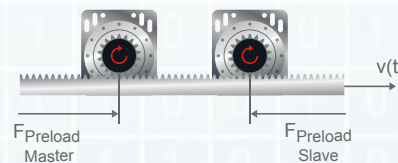
More than 14,000 motors from the 50 most prominent motor manufacturers are stored in the design tool. Continuously updated, always state-of-the-art. Moreover, more than 8,000 gearbox versions from WITTENSTEIN alpha and over 200 combinations of linear systems with all relevant technical specifications can be found here.



Free download

The basic version of cymex® 5 design software is available as a free download.


www.wittenstein-cymex.com



cymex® 5 incorporates the completely new Master / Slave function*

The Master / Slave function enables the electrically clamped configuration of two drives. The mutual tensioning of master and slave eliminates the backlash in the drive train and provides for a high degree of rigidity in the machine.

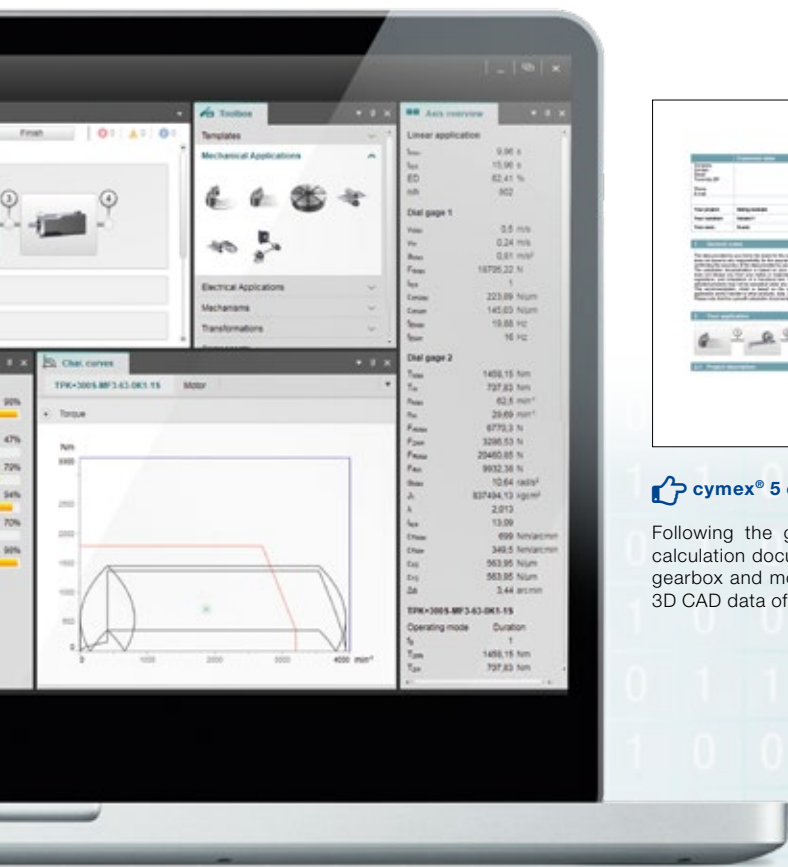
*Premium function, on request.

cymex® 5



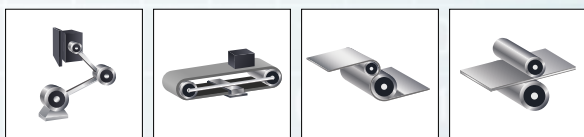
👍 cymex® 5 has a unique optimization calculator*

During the design process, cymex® 5 provides optimization suggestions for the selected gearbox, which increase reliability and efficiency while ensuring your gearbox has the perfect dimensions e.g. through downsizing. This saves on costs and reduces the installation space in the machine.



👍 cymex® 5 offers comprehensive documentation

Following the geometry comparison, cymex® 5 creates calculation documentation and generates data sheets for gearbox and motor on request. Furthermore, the 2D and 3D CAD data of selected components can be retrieved.



11 languages

👍 cymex® 5 enables the precise simulation of motion and load variables

The optimized software offers many options for the individual design of the drive train. These have been integrated to supplement the existing applications already in cymex® 3: the crank, conveyor, center winder and feed roll.

alpha Premium Line – unique, individual solutions that offer unparalleled power density

The requirements for highly complex applications used in machine tools or laser technology, for example, are becoming increasingly demanding and standard products are often unable to meet them. The alpha Premium Line is a completely new product program developed to meet the most demanding requirements. In addition to the products, we primarily focus on offering comprehensive consultancy services to ensure that your requirements are taken into full consideration and maximum machine utilization is achieved. We aim to provide unique "Best in Class" solutions that significantly exceed current standards and help you design your plants more efficiently.

Maximum power density

We increased the performance of our gearboxes by up to 200 % compared to other commercially available standard gearboxes. Our Premium products therefore make a direct contribution to enhancing the performance of your plant.

Maximum positioning accuracy

On request, the Premium planetary gearboxes are available with torsional backlash of less than one arc minute. In combination with maximum torsional rigidity, this backlash guarantees outstanding positioning accuracy.

Easy installation

Specially designed output configurations allow for quick and easy installation.

Top engineering and expert consultation


We use our extensive engineering expertise to develop unique solutions and produce the perfect design for your drive train. Our highly qualified employees provide support and advice from the initial idea and throughout the entire life cycle of your application.

alpha Premium solutions.
Tailored precisely to meet your needs.

More performance in less space

- if you require an even more compact drive
- if you wish to enhance the performance of your machine
- if you require high-performance linear systems





"We develop pioneering solutions for demanding applications in close dialog with our customers."

Sven Sanitz, Sales

Reaching new heights: the alpha Premium Line

Planetary gearboxes

The unique capabilities of planetary gearboxes from the alpha Premium Line are setting new standards on the market. These compact gearboxes are characterized by a power density far above the current industry standard. Your application can benefit directly from this increase in performance.



Hypoid gearboxes

Maximum power density and high modularity are just two of the special characteristics of our hypoid gearboxes. Furthermore, gearboxes from the alpha Premium Line are characterized by an extremely robust overall design that guarantees a high degree of reliability and a long service life.

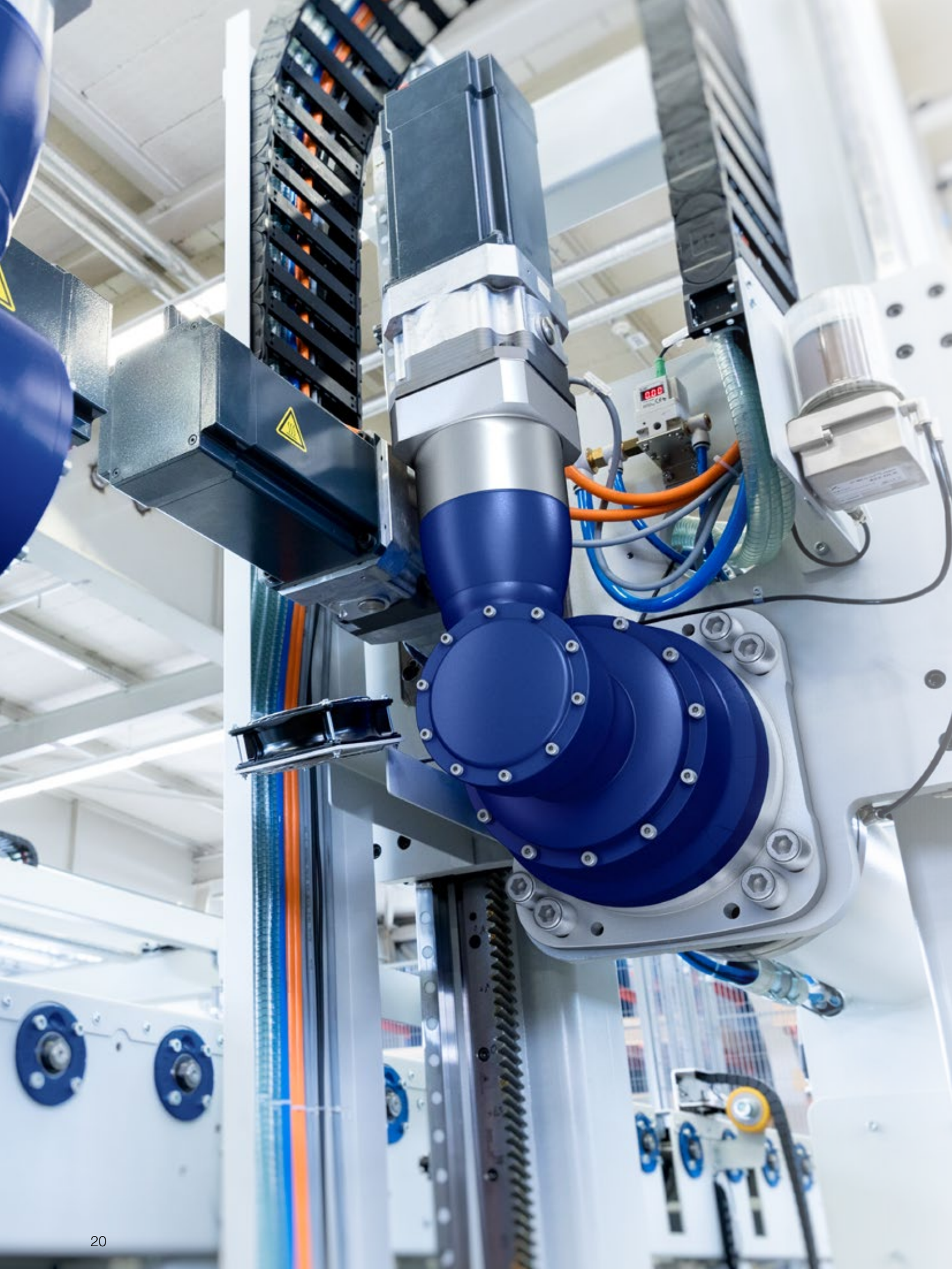


Premium Line

Bevel gearboxes

The low backlash bevel drives from our alpha Premium Line offer outstanding performance at low ratios during both cyclic and continuous operation. The perfect solution for dynamic applications with demanding requirements with regard to precision, torque and output speed. Increases in the performance of your plant can easily be achieved with a 97 % degree of efficiency.





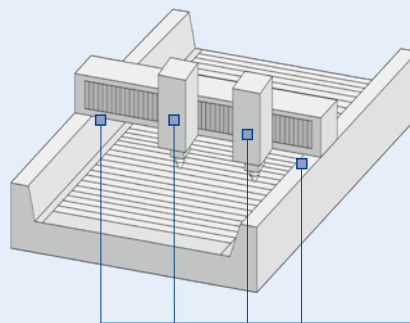
alpha Premium Line in action

RPK+ – when high performance is required in a small installation space

Whether laser cutting machines, turning and milling machines, or pipe bending machines – the use of powerful gearboxes with a high degree of positioning accuracy is essential in rack and pinion applications. The compact RPK+ combines these characteristics to achieve high feed forces and accurate positioning in the application.



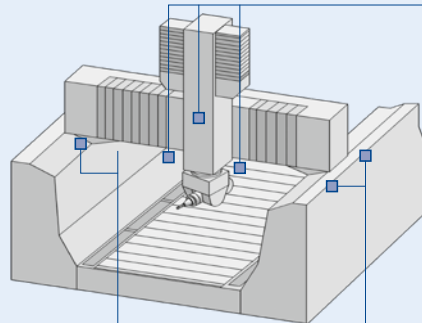
Premium Line products can also be used in machines that generate rotary movements under extreme loads such as flatbed lasers or portal milling machines.



Flatbed laser

Working position

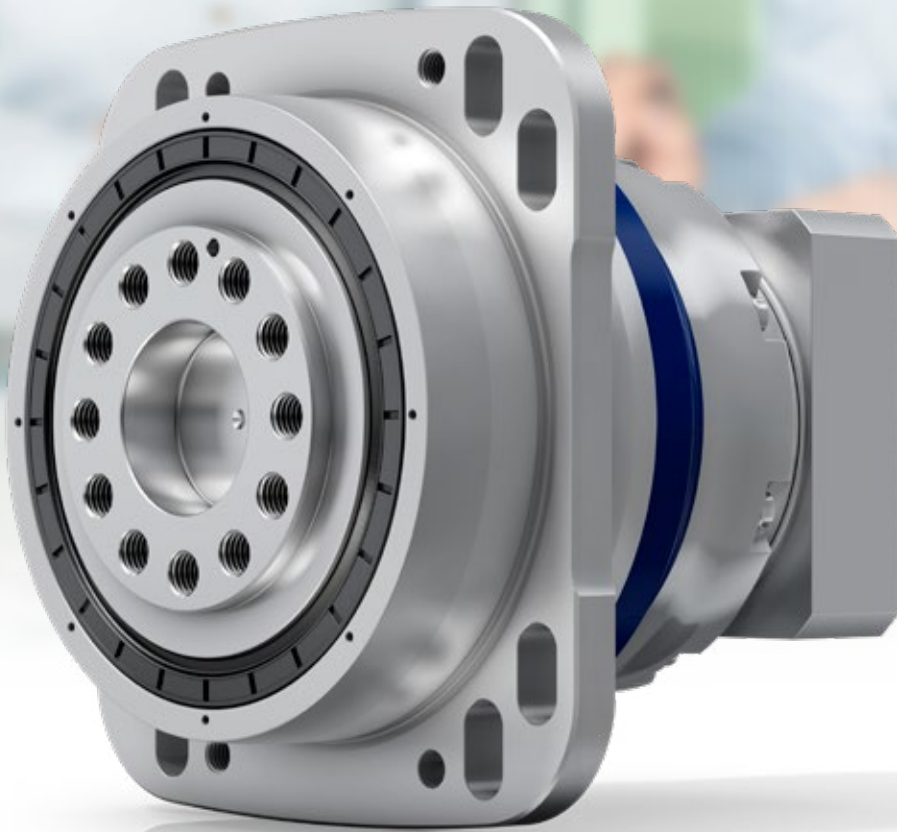
Working position



Portal milling machine

Working position





XP⁺ and RP⁺ planetary gearboxes

Unique in performance

XP+ – the best performing solution for cyclic operation



XP+

The XP+ with specially designed output and extremely compact design offers new dimensions in the power transmission in cyclic operation that far exceed industry standards. The optimized interfaces on the output can generate much higher torques, tilting moments and rigidity that directly benefit your application.

The XP+ impresses with maximum power density,

- if you require an even more compact drive
- if you wish to enhance the performance of your machine in cyclic operation
- if you require high-performance linear systems

Produkthighlights

Max. backlash [arcmin] $\leq 1 - 3$

High power density

Very smooth running

Multiple output configurations for greater flexibility

Smooth shaft, shaft with key, splined shaft (DIN 5480), blind hollow shaft, System output

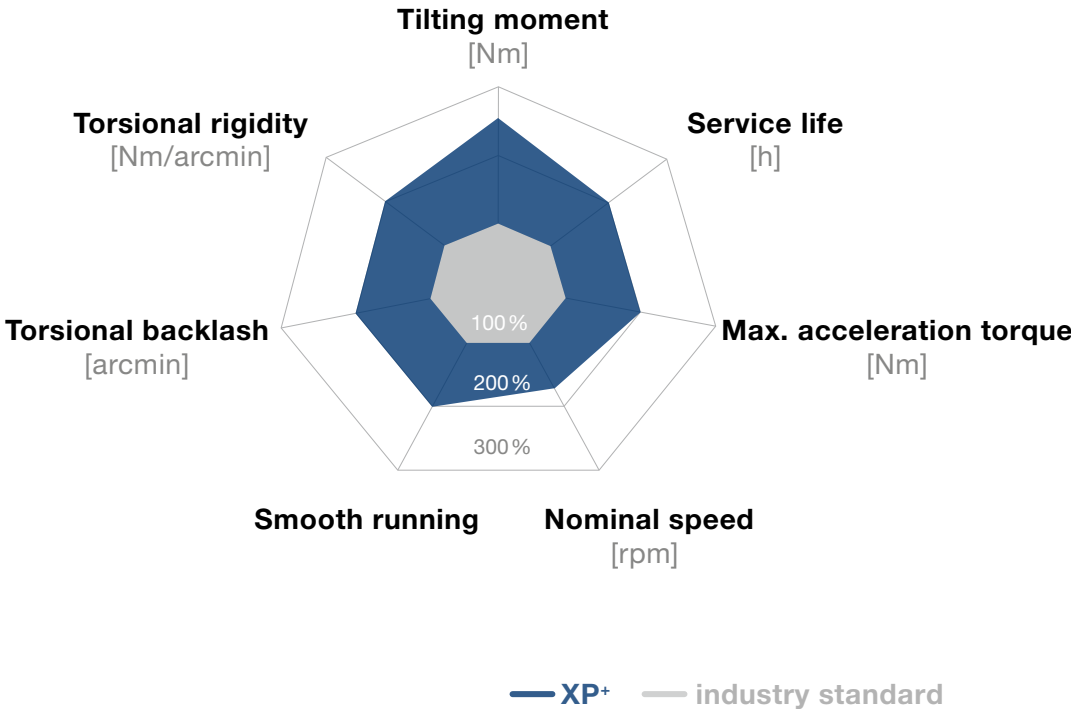


XP+ with splined shaft

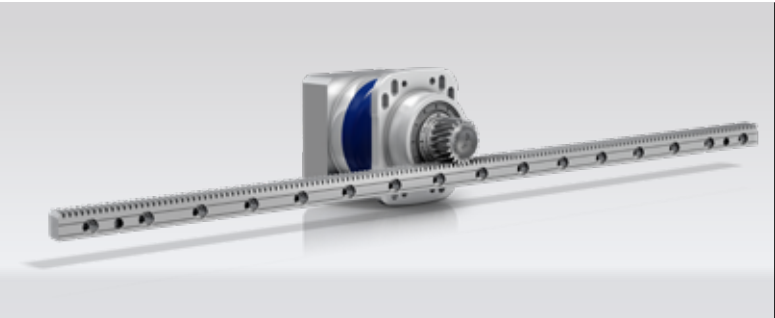


XP+ with pinion and slots

XP+ compared to industry standard



Planetary gearboxes



XP+ with pinion, slots and rack



premo® XP Line with pinion

XP+ 010 MF 1-/2-stage

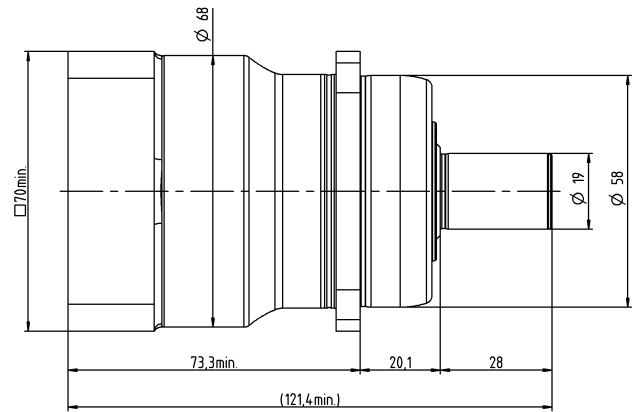
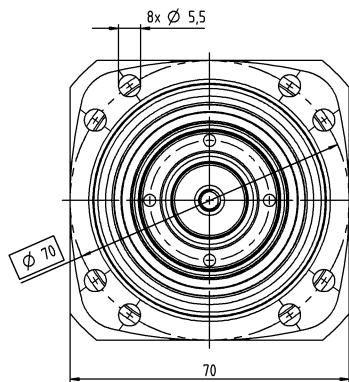
			1-stage	2-stage
Ratio	i		3 / 4 / 5 / 7 / 8 / 10	16 / 20 / 25 / 28 / 32 / 35 / 40 / 50 / 64 / 70 / 100
Max. torque ^{a)}	T_{2a}	Nm	56 – 128	50 – 119
		$in.lb$	496 – 1133	446 – 1051
Max. acceleration torque (max. 1000 cycles per hour)	T_{2B}	Nm	42 – 108	42 – 99
		$in.lb$	372 – 956	372 – 876
Nominal torque (at n_n)	T_{2N}	Nm	21 – 27	34 – 53
		$in.lb$	190 – 239	297 – 467
Emergency stop torque (permitted 1000 times during the service life of the gearbox)	T_{2Not}	Nm	110 – 165	110 – 165
		$in.lb$	974 – 1458	974 – 1458
Thermal speed limit (with 20°C ambient temperature and 10% torque utilization) ^{b)}	n_{1T}	rpm	3300 – 4000	4400 – 5500
Max. input speed	n_{1Max}	rpm	7500	8500
Max. torsional backlash	j_t	$arcmin$	Standard ≤ 4 / Reduced ≤ 2	Standard ≤ 5 / Reduced ≤ 3
Torsional rigidity	C_{t21}	$Nm/arcmin$	5 – 6.5	5 – 6.5
		$in.lb/arcmin$	44 – 58	44 – 58
Max. tilting moment	M_{2KMax}	Nm	339	339
		$in.lb$	3000	3000
Operating noise ^{c)}	L_{PA}	$dB(A)$	≤ 55	≤ 53
Lubrication			Lubricated for life	Lubricated for life
Clamping hub diameter		mm	11 – 19	11 – 14

^{a)} Application-specific design with cymex® – www.wittenstein-cymex.com

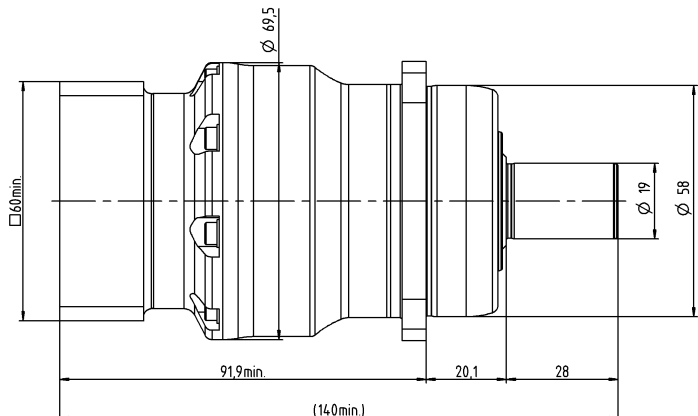
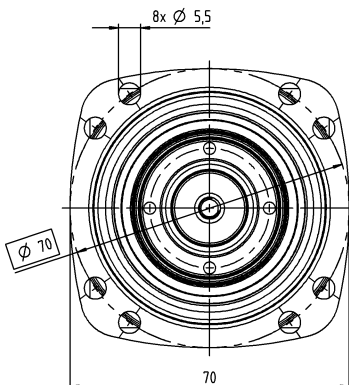
^{b)} For higher ambient temperatures, please reduce input speed

^{c)} At reference ratio and reference speed. Ratio-specific values available in cymex®.

1-stage



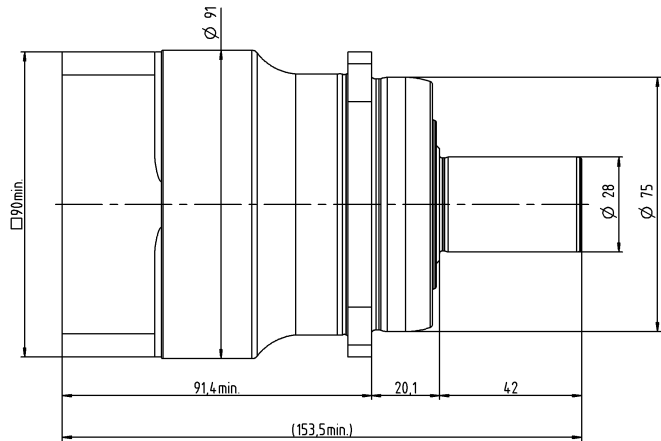
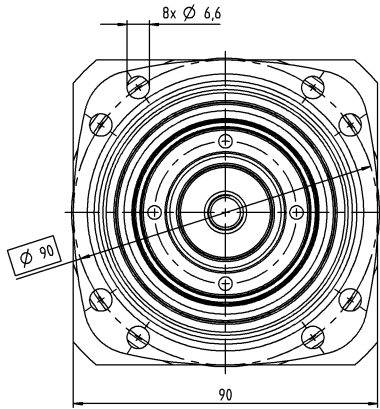
2-stage



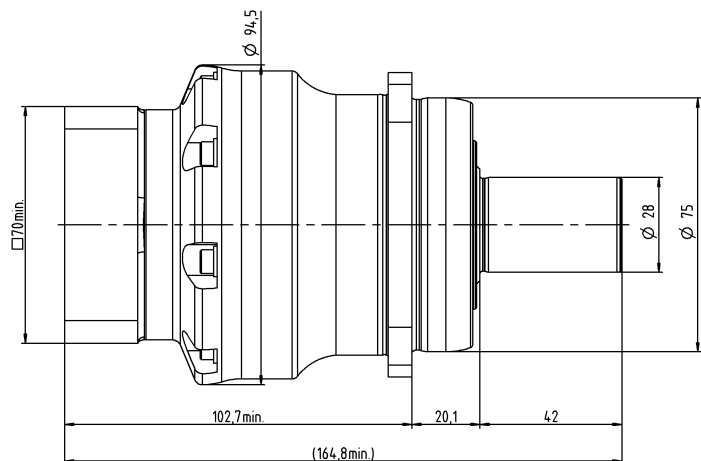
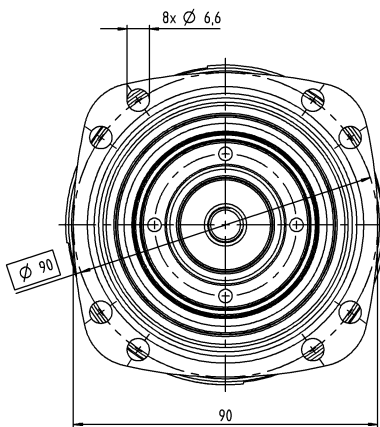
				1-stage	2-stage
Ratio	i			3 / 4 / 5 / 7 / 8 / 10	16 / 20 / 25 / 28 / 32 / 35 / 40 / 50 / 64 / 70 / 100
Max. torque ^{a)}	T_{2a}	<i>Nm</i>		168 – 330	139 – 348
		<i>in.lb</i>		1487 – 2921	1227 – 3080
Max. acceleration torque (max. 1000 cycles per hour)	T_{2B}	<i>Nm</i>		126 – 275	126 – 303
		<i>in.lb</i>		1115 – 2434	1115 – 2682
Nominal torque (at n_n)	T_{2N}	<i>Nm</i>		63 – 81	101 – 145
		<i>in.lb</i>		558 – 720	101 – 145
Emergency stop torque (permitted 1000 times during the service life of the gearbox)	T_{2Not}	<i>Nm</i>		325 – 390	325 – 418
		<i>in.lb</i>		2877 – 3452	2877 – 3696
Thermal speed limit (with 20°C ambient temperature and 10% torque utilization) ^{b)}	n_{1T}	<i>rpm</i>		2900 – 3100	3500 – 4500
Max. input speed	n_{1Max}	<i>rpm</i>		7500	8500
Max. torsional backlash	j_t	<i>arcmin</i>		Standard ≤ 3 / Reduced ≤ 1	Standard ≤ 4 / Reduced ≤ 2
Torsional rigidity	C_{t21}	<i>Nm/arcmin</i>		14 – 17	15 – 20
		<i>in.lb/arcmin</i>		124 – 150	133 – 173
Max. tilting moment	M_{2KMax}	<i>Nm</i>		675	675
		<i>in.lb</i>		5974	5974
Operating noise ^{c)}	L_{PA}	<i>dB(A)</i>		≤ 56	≤ 53
Lubrication				Lubricated for life	Lubricated for life
Clamping hub diameter		<i>mm</i>		14 – 24	11 – 19

^{a)} Application-specific design with cymex® – www.wittenstein-cymex.com
^{b)} For higher ambient temperatures, please reduce input speed
^{c)} At reference ratio and reference speed. Ratio-specific values available in cymex®.

1-stage



2-stage



XP+ 030 MF 1-/2-stage

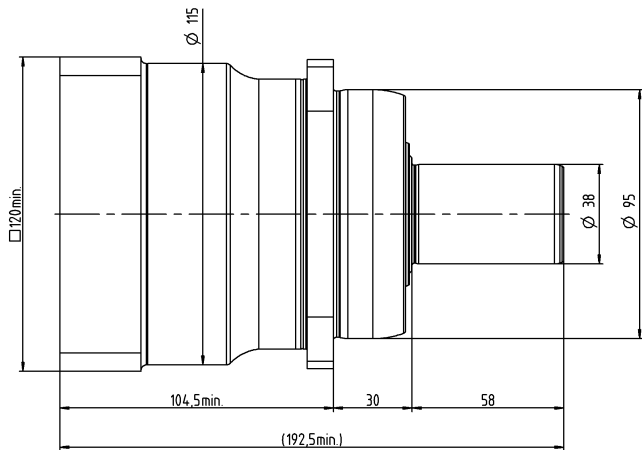
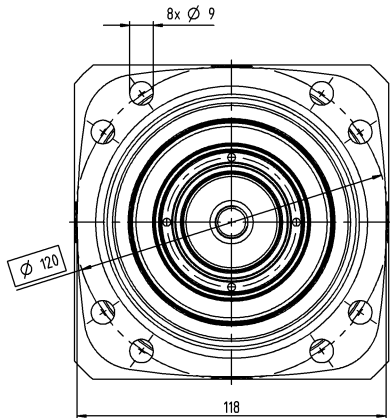
			1-stage	2-stage
Ratio	i		3 / 4 / 5 / 7 / 8 / 10	16 / 20 / 25 / 28 / 32 / 35 / 40 / 50 / 64 / 70 / 100
Max. torque ^{a)}	T_{2a}	Nm	388 – 600	363 – 660
		in.lb	3434 – 5310	3213 – 5842
Max. acceleration torque (max. 1000 cycles per hour)	T_{2B}	Nm	320 – 550	303 – 550
		in.lb	2832 – 4868	2682 – 4868
Nominal torque (at n_n)	T_{2N}	Nm	131 – 174	242 – 319
		in.lb	1157 – 1538	2142 – 2826
Emergency stop torque (permitted 1000 times during the service life of the gearbox)	T_{2Not}	Nm	650 – 900	750 – 1125
		in.lb	5753 – 7966	6638 – 9957
Thermal speed limit (with 20°C ambient temperature and 10% torque utilization) ^{b)}	n_{1T}	rpm	2500 – 2800	3100 – 4200
Max. input speed	n_{1Max}	rpm	5500	6500
Max. torsional backlash	j_t	arcmin	Standard ≤ 3 / Reduced ≤ 1	Standard ≤ 4 / Reduced ≤ 2
Torsional rigidity	C_{t21}	Nm/arcmin	32 – 40	35 – 45
		in.lb/arcmin	283 – 354	310 – 398
Max. tilting moment	M_{2KMax}	Nm	1296	1296
		in.lb	11471	11471
Operating noise ^{c)}	L_{PA}	dB(A)	≤ 59	≤ 56
Lubrication			Lubricated for life	Lubricated for life
Clamping hub diameter		mm	19 – 38	14 – 28

^{a)} Application-specific design with cymex® – www.wittenstein-cymex.com

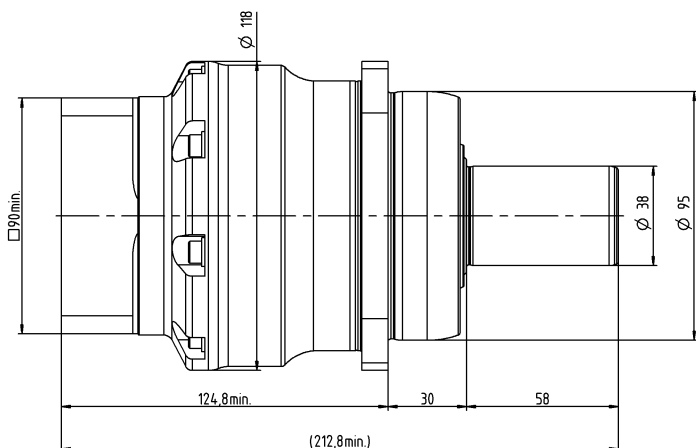
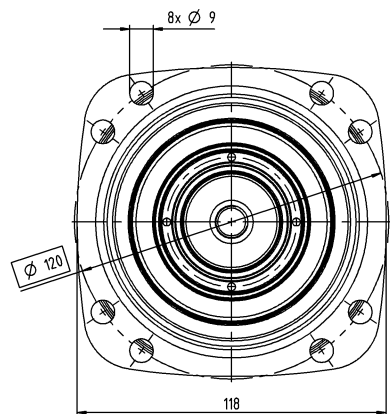
^{b)} For higher ambient temperatures, please reduce input speed

^{c)} At reference ratio and reference speed. Ratio-specific values available in cymex®.

1-stage



2-stage



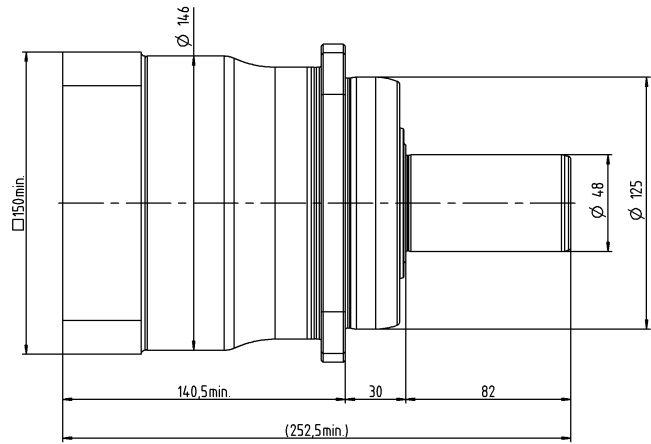
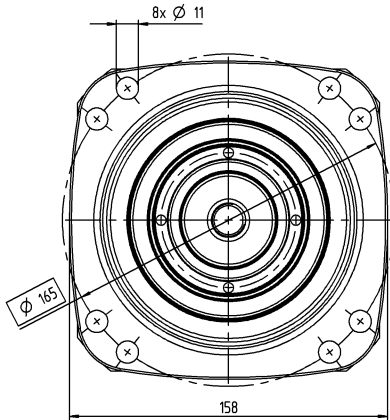
			1-stage	2-stage
Ratio	i		3 / 4 / 5 / 7 / 8 / 10	16 / 20 / 25 / 28 / 32 / 35 / 40 / 50 / 64 / 70 / 100
Max. torque ^{a)}	T_{2a}	Nm	792 – 1312	792 – 1188
		in.lb	7010 – 11612	7010 – 10515
Max. acceleration torque (max. 1000 cycles per hour)	T_{2B}	Nm	710 – 1080	660 – 990
		in.lb	6284 – 9559	5842 – 8762
Nominal torque (at n_n)	T_{2N}	Nm	202 – 335	461 – 607
		in.lb	1786 – 2962	4078 – 5370
Emergency stop torque (permitted 1000 times during the service life of the gearbox)	T_{2Not}	Nm	1375 – 2310	1375 – 2310
		in.lb	12170 – 20449	12170 – 20449
Thermal speed limit (with 20°C ambient temperature and 10% torque utilization) ^{b)}	n_{TT}	rpm	2100 – 2600	2900 – 3900
Max. input speed	n_{1Max}	rpm	5000	6000
Max. torsional backlash	j_t	arcmin	Standard ≤ 3 / Reduced ≤ 1	Standard ≤ 4 / Reduced ≤ 2
Torsional rigidity	C_{t21}	Nm/arcmin	62 – 85	75 – 95
		in.lb/arcmin	549 – 752	664 – 841
Max. tilting moment	M_{2KMax}	Nm	1635	1635
		in.lb	14471	14471
Operating noise ^{c)}	L_{PA}	dB(A)	≤ 60	≤ 57
Lubrication			Lubricated for life	Lubricated for life
Clamping hub diameter		mm	24 – 48	19 – 38

^{a)} Application-specific design with cymex® – www.wittenstein-cymex.com

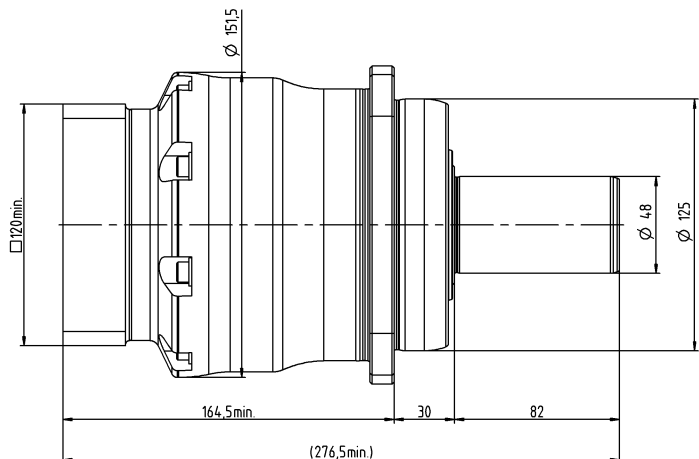
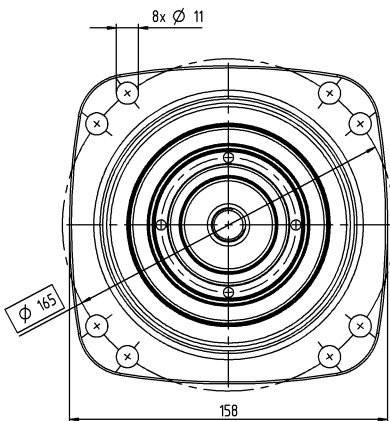
^{b)} For higher ambient temperatures, please reduce input speed

^{c)} At reference ratio and reference speed. Ratio-specific values available in cymex®.

1-stage



2-stage



XP+ 050 MF 1-/2-stage

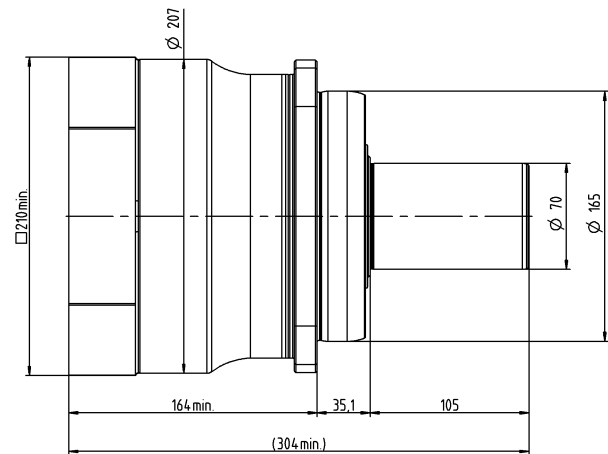
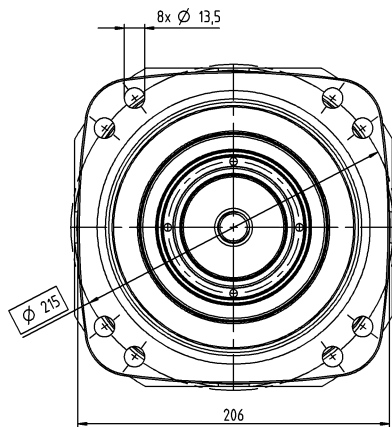
			1-stage	2-stage
Ratio	i		3 / 4 / 5 / 7 / 8 / 10	16 / 20 / 25 / 28 / 32 / 35 / 40 / 50 / 64 / 70 / 100
Max. torque ^{a)}	T_{2a}	Nm	2400 – 3840	1980 – 3696
		in.lb	21242 – 33987	17525 – 32713
Max. acceleration torque (max. 1000 cycles per hour)	T_{2B}	Nm	1800 – 3360	1650 – 3080
		in.lb	15931 – 29739	14604 – 27260
Nominal torque (at n_n)	T_{2N}	Nm	513 – 927	1179 – 1505
		in.lb	4544 – 8203	10426 – 13323
Emergency stop torque (permitted 1000 times during the service life of the gearbox)	T_{2Not}	Nm	3445 – 5000	3505 – 5000
		in.lb	30493 – 44254	31022 – 44254
Thermal speed limit (with 20°C ambient temperature and 10% torque utilization) ^{b)}	n_{IT}	rpm	1500 – 2300	2700 – 3400
Max. input speed	n_{1Max}	rpm	4500	5000
Max. torsional backlash	j_t	arcmin	Standard ≤ 3 / Reduced ≤ 1	Standard ≤ 4 / Reduced ≤ 2
Torsional rigidity	C_{t21}	Nm/arcmin	160 – 250	240 – 290
		in.lb/arcmin	1416 – 2213	2124 – 2567
Max. tilting moment	M_{2KMax}	Nm	3256	3256
		in.lb	28818	28818
Operating noise ^{c)}	L_{PA}	dB(A)	≤ 64	≤ 58
Lubrication			Lubricated for life	Lubricated for life
Clamping hub diameter		mm	38 – 55	24 – 48

^{a)} Application-specific design with cymex® – www.wittenstein-cymex.com

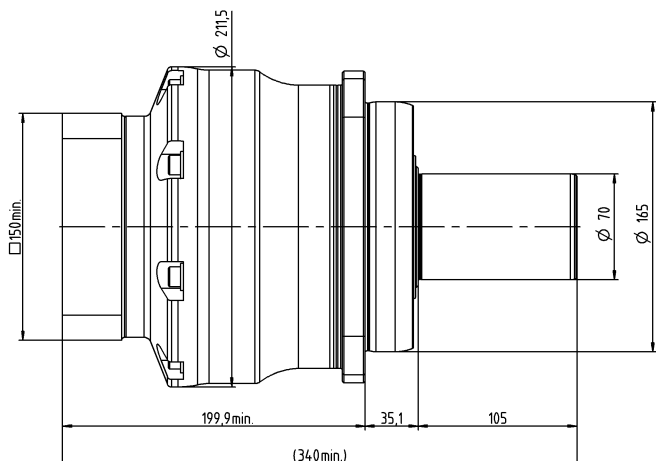
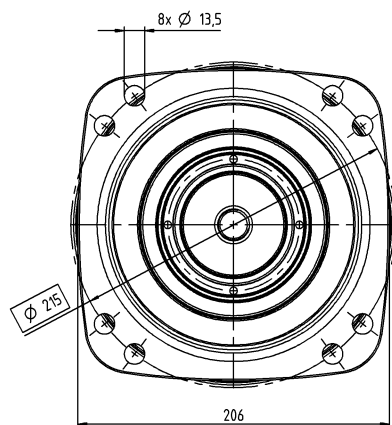
^{b)} For higher ambient temperatures, please reduce input speed

^{c)} At reference ratio and reference speed. Ratio-specific values available in cymex®.

1-stage



2-stage





Planetary gearboxes

XP+ HIGH SPEED – for more performance in continuous operation



The XP+ HIGH SPEED enables new dimensions in power transmission for applications in continuous operation - in the smallest installation space. An optimized drive and lubrication system enables higher nominal speeds and an increased service life of up to 30,000 hours.

The XP+ HIGH SPEED impresses with maximum power density

- if you require an even more compact drive
- if you wish to enhance the performance of your machine in continuous operation
- if maximum reliability and service life are required

Produkthighlights

Max. backlash [arcmin] $\leq 2 - 6$

Lower temperature development

Maximum nominal speeds

30,000 h service life

Multiple output configurations for greater flexibility

Smooth shaft, shaft with key, splined shaft (DIN 5480), blind hollow shaft, System output

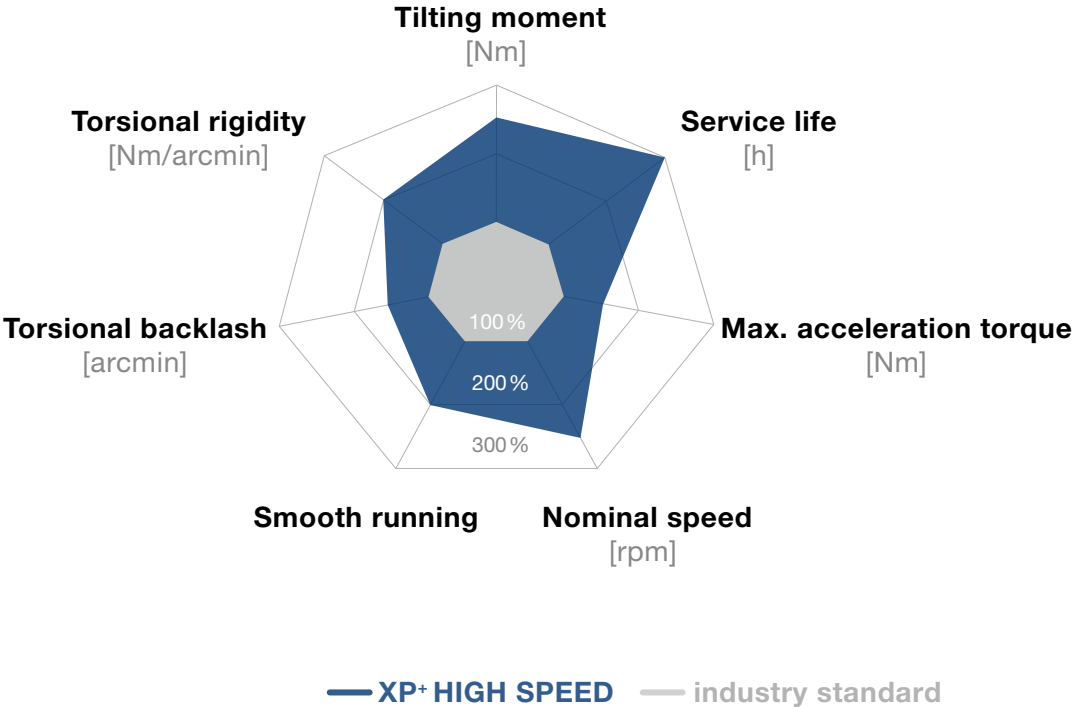


XP+ HIGH SPEED with cynapse®

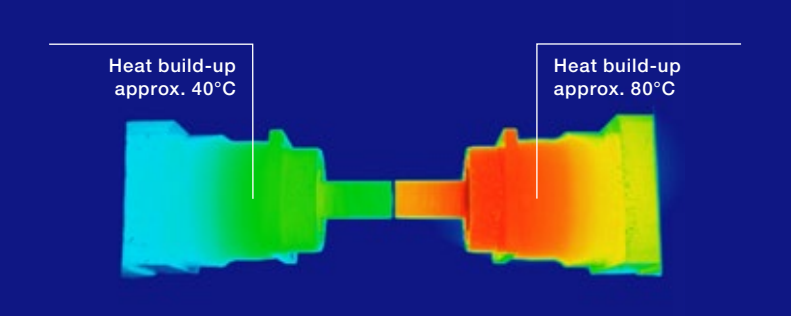


XP+ HIGH SPEED with splined shaft

XP+ HIGH SPEED compared to industry standard



Planetary gearboxes



XP+ HIGH SPEED
MC version

Industry standard



Matched accessories for your XP+ gearbox
You can find more information in the "Accessories" product catalog

XP+ 020 MC 1-/2-stage

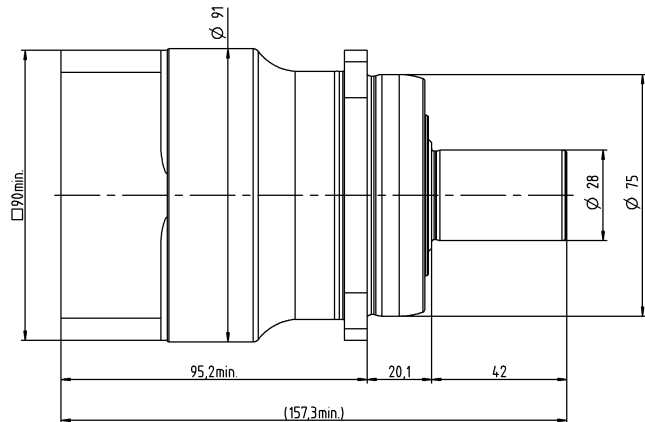
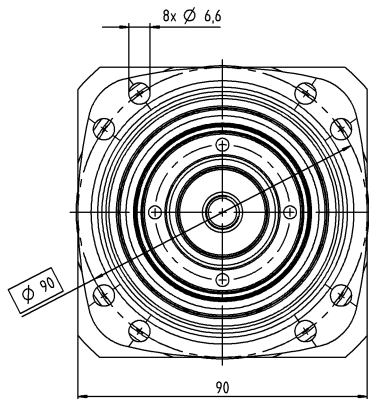
			1-stage	2-stage
Ratio	i		3 / 4 / 5 / 7 / 8 / 10	16 / 20 / 25 / 28 / 32 / 35 / 40 / 50 / 64 / 70 / 100
Max. torque ^{a)}	T_{2a}	Nm	68 – 90	70 – 90
		in.lb	602 – 797	620 – 797
Max. acceleration torque (max. 1000 cycles per hour)	T_{2B}	Nm	68 – 90	70 – 90
		in.lb	602 – 797	620 – 797
Nominal torque (at n_n)	T_{2N}	Nm	41 – 53	56 – 72
		in.lb	362 – 468	496 – 637
Emergency stop torque (permitted 1000 times during the service life of the gearbox)	T_{2Not}	Nm	325 – 390	325 – 418
		in.lb	2877 – 3452	2877 – 3696
Thermal speed limit (with 20°C ambient temperature and 10% torque utilization) ^{b)}	n_{1T}	rpm	4500	4500
Max. input speed	n_{1Max}	rpm	6000	6000
Max. torsional backlash	j_t	arcmin	Standard ≤ 6 / Reduced ≤ 4	Standard ≤ 8 / Reduced ≤ 6
Torsional rigidity	C_{t21}	Nm/arcmin	14 – 17	15 – 20
		in.lb/arcmin	124 – 150	133 – 177
Max. tilting moment	M_{2KMax}	Nm	675	675
		in.lb	5974	5974
Operating noise ^{c)}	L_{PA}	dB(A)	≤ 56	≤ 53
Lubrication			Lubricated for life	Lubricated for life
Clamping hub diameter		mm	19 – 24	14 – 19

^{a)} Application-specific design with cymex® – www.wittenstein-cymex.com

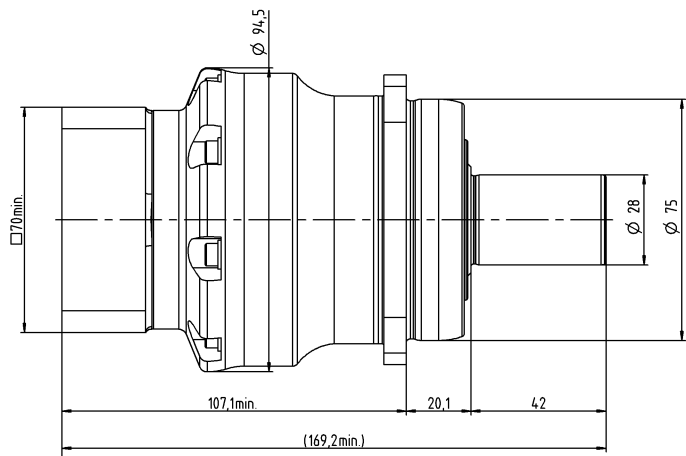
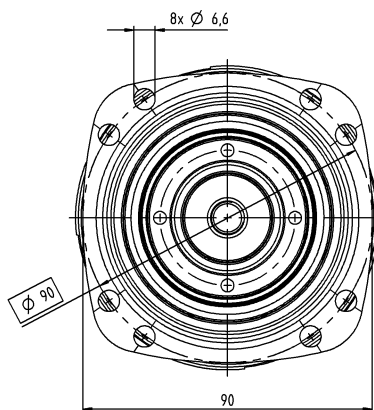
^{b)} For higher ambient temperatures, please reduce input speed

^{c)} At reference ratio and reference speed. Ratio-specific values available in cymex®.

1-stage



2-stage



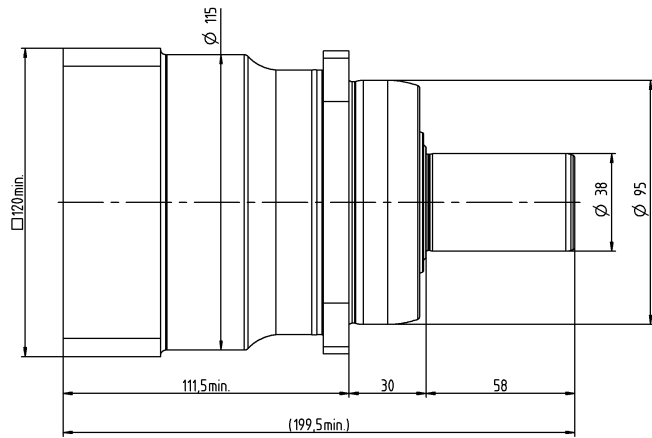
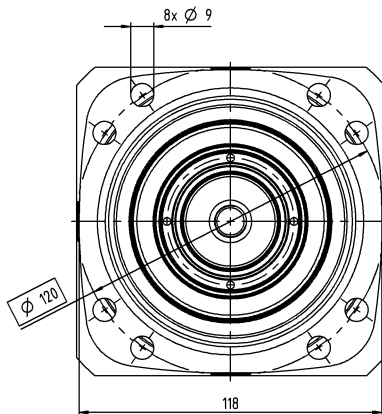
			1-stage	2-stage
Ratio	i		3 / 4 / 5 / 7 / 8 / 10	16 / 20 / 25 / 28 / 32 / 35 / 40 / 50 / 64 / 70 / 100
Max. torque ^{a)}	T_{2a}	<i>Nm</i>	180 – 240	180 – 240
		<i>in.lb</i>	1593 – 2124	1593 – 2124
Max. acceleration torque (max. 1000 cycles per hour)	T_{2B}	<i>Nm</i>	180 – 240	180 – 240
		<i>in.lb</i>	1593 – 2124	1593 – 2124
Nominal torque (at n_{2N})	T_{2N}	<i>Nm</i>	76 – 97	138 – 189
		<i>in.lb</i>	677 – 861	1221 – 1673
Emergency stop torque (permitted 1000 times during the service life of the gearbox)	T_{2Not}	<i>Nm</i>	650 – 900	750 – 1125
		<i>in.lb</i>	5753 – 7966	6638 – 9957
Thermal speed limit (with 20°C ambient temperature and 10% torque utilization) ^{b)}	n_{1T}	<i>rpm</i>	3500 – 4500	4500
Max. input speed	n_{1Max}	<i>rpm</i>	6000	6000
Max. torsional backlash	j_t	<i>arcmin</i>	Standard ≤ 4 / Reduced ≤ 2	Standard ≤ 6 / Reduced ≤ 4
Torsional rigidity	C_{t21}	<i>Nm/arcmin</i>	32 – 40	35 – 45
		<i>in.lb/arcmin</i>	283 – 354	310 – 398
Max. tilting moment	M_{2KMax}	<i>Nm</i>	1296	1296
		<i>in.lb</i>	11471	11471
Operating noise ^{c)}	L_{PA}	<i>dB(A)</i>	≤ 59	≤ 56
Lubrication			Lubricated for life	Lubricated for life
Clamping hub diameter		<i>mm</i>	24 – 38	19 – 24

^{a)} Application-specific design with cymex® – www.wittenstein-cymex.com

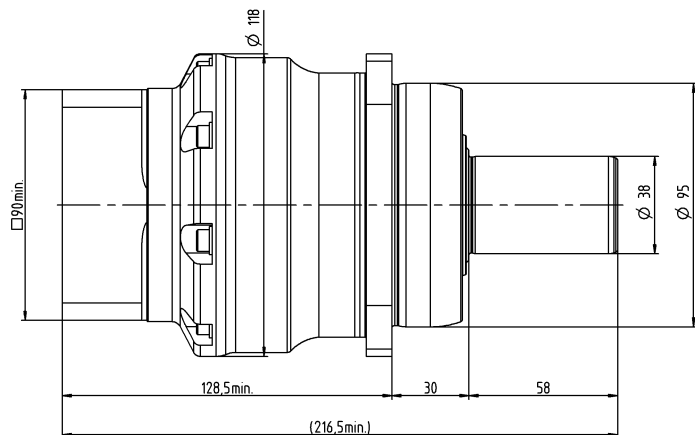
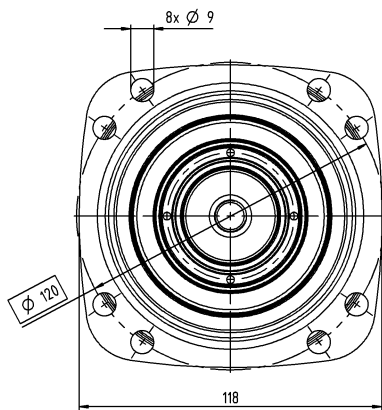
^{b)} For higher ambient temperatures, please reduce input speed

^{c)} At reference ratio and reference speed. Ratio-specific values available in cymex®.

1-stage



2-stage



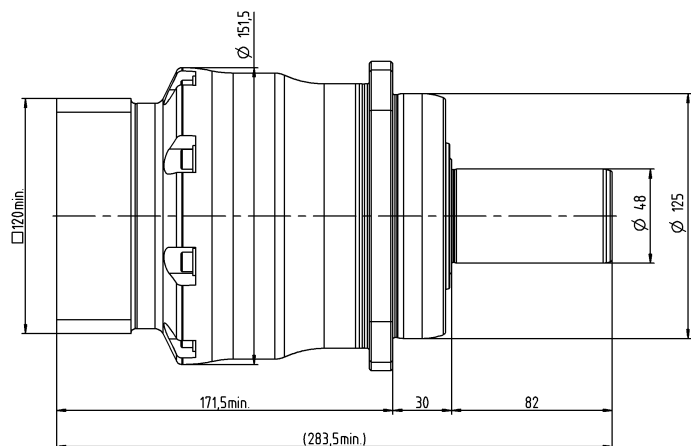
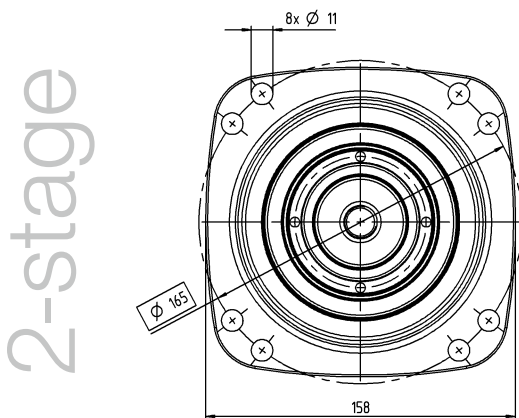
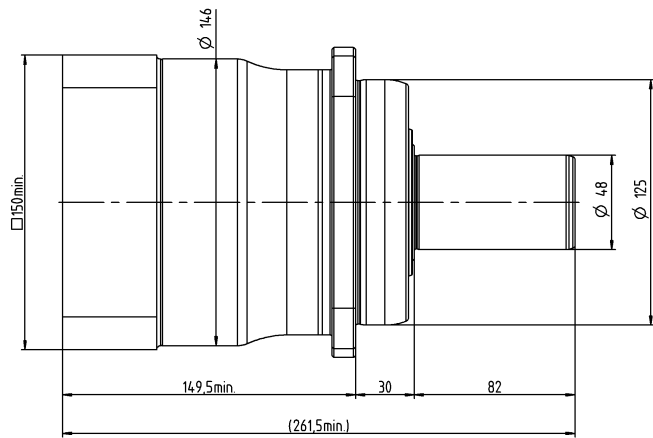
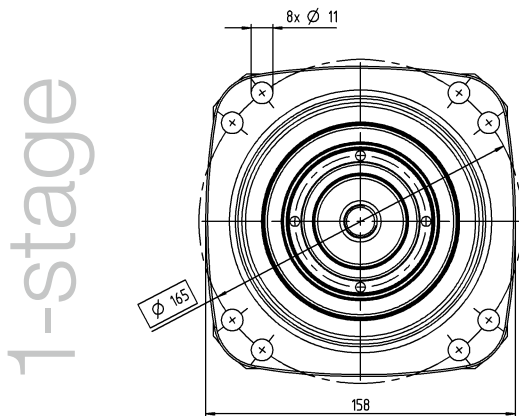
XP+ 040 MC 1-/2-stage

			1-stage	2-stage
Ratio	i		3 / 4 / 5 / 7 / 8 / 10	16 / 20 / 25 / 28 / 32 / 35 / 40 / 50 / 64 / 70 / 100
Max. torque ^{a)}	T_{2a}	Nm	310 – 480	380 – 480
		in.lb	2744 – 4248	3363 – 4248
Max. acceleration torque (max. 1000 cycles per hour)	T_{2B}	Nm	310 – 480	380 – 480
		in.lb	2744 – 4248	3363 – 4248
Nominal torque (at n_n)	T_{2N}	Nm	127 – 195	277 – 367
		in.lb	1122 – 1730	2447 – 3250
Emergency stop torque (permitted 1000 times during the service life of the gearbox)	T_{2Not}	Nm	1375 – 2310	1375 – 2310
		in.lb	12170 – 20445	12170 – 20445
Thermal speed limit (with 20°C ambient temperature and 10% torque utilization) ^{b)}	n_{1T}	rpm	3000 – 4500	4500
Max. input speed	n_{1Max}	rpm	6000	6000
Max. torsional backlash	j_t	arcmin	Standard ≤ 4 / Reduced ≤ 2	Standard ≤ 6 / Reduced ≤ 4
Torsional rigidity	C_{t21}	Nm/arcmin	62 – 85	75 – 95
		in.lb/arcmin	549 – 752	664 – 841
Max. tilting moment	M_{2KMax}	Nm	1635	1635
		in.lb	14471	14471
Operating noise ^{c)}	L_{PA}	dB(A)	≤ 60	≤ 57
Lubrication			Lubricated for life	Lubricated for life
Clamping hub diameter		mm	38 – 48	24 – 38

^{a)} Application-specific design with cymex® – www.wittenstein-cymex.com

^{b)} For higher ambient temperatures, please reduce input speed

^{c)} At reference ratio and reference speed. Ratio-specific values available in cymex®.



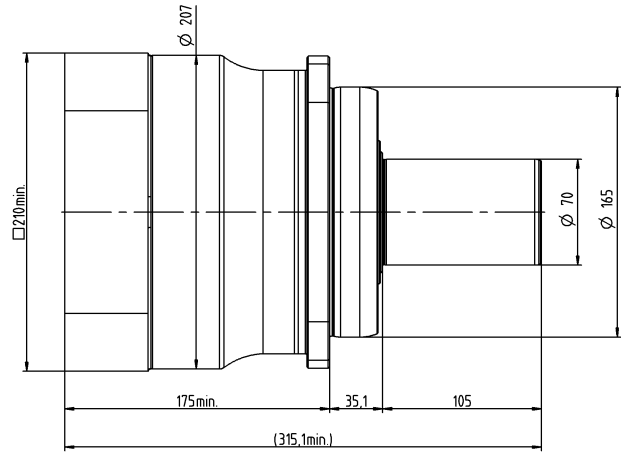
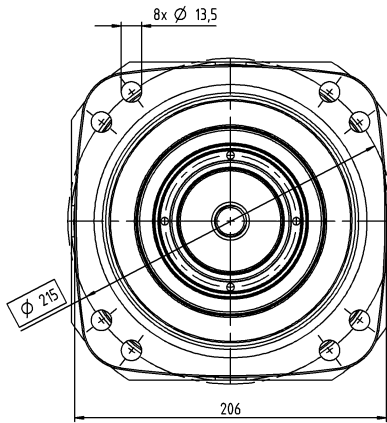
			1-stage	2-stage
Ratio	i		3 / 4 / 5 / 7 / 8 / 10	16 / 20 / 25 / 28 / 32 / 35 / 40 / 50 / 64 / 70 / 100
Max. torque ^{a)}	T_{2a}	Nm	700 – 880	700 – 880
		in.lb	6196 – 7789	6196 – 7789
Max. acceleration torque (max. 1000 cycles per hour)	T_{2B}	Nm	700 – 880	700 – 880
		in.lb	6196 – 7789	6196 – 7789
Nominal torque (at n_n)	T_{2N}	Nm	289 – 492	560 – 704
		in.lb	2554 – 4355	4956 – 6231
Emergency stop torque (permitted 1000 times during the service life of the gearbox)	T_{2Not}	Nm	3445 – 5000	3505 – 5000
		in.lb	30493 – 44254	31022 – 44254
Thermal speed limit (with 20°C ambient temperature and 10% torque utilization) ^{b)}	n_{TT}	rpm	3000 – 4500	4500
Max. input speed	n_{1Max}	rpm	4500 – 6000	6000
Max. torsional backlash	j_t	arcmin	Standard ≤ 4 / Reduced ≤ 2	Standard ≤ 6 / Reduced ≤ 4
Torsional rigidity	C_{t21}	Nm/arcmin	160 – 250	240 – 290
		in.lb/arcmin	1416 – 2213	2124 – 2567
Max. tilting moment	M_{2KMax}	Nm	3256	3256
		in.lb	28818	28818
Operating noise ^{c)}	L_{PA}	dB(A)	≤ 64	≤ 58
Lubrication			Lubricated for life	Lubricated for life
Clamping hub diameter		mm	48	38

^{a)} Application-specific design with cymex® – www.wittenstein-cymex.com

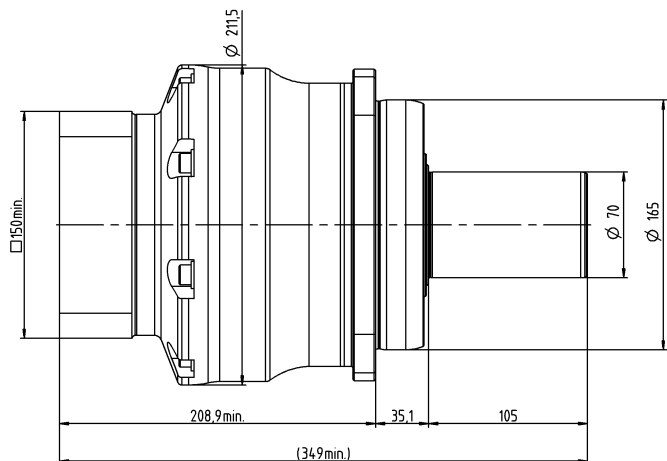
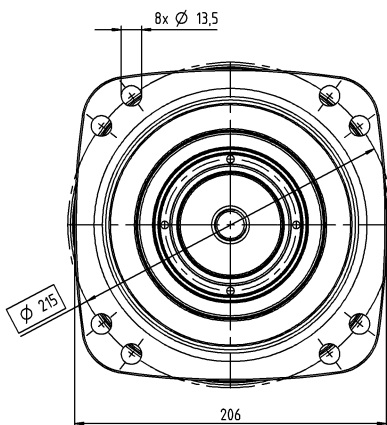
^{b)} For higher ambient temperatures, please reduce input speed

^{c)} At reference ratio and reference speed. Ratio-specific values available in cymex®.

1-stage



2-stage



The new XP+ HIGH TORQUE – the highest torque solution on the market



XP+

The new XP+ HIGH TORQUE is the high-performance expansion of our XP+ family. It convinces with the highest torque density on the market and enables the realization of highly dynamic applications for even shorter cycle times with highest positioning accuracy at the same time. In addition, the XP+ HIGH TORQUE creates space for even more compact drive axles.

- The XP+ HIGH TORQUE convinces with highest power density
- if shortest cycle times are essential for you
 - if increased masses and process forces are required
 - if significant savings in installation space and weight are advantageous for your machine

Produkthighlights

Max. backlash [arcmin] ≤ 1

Increase of productivity and more process quality

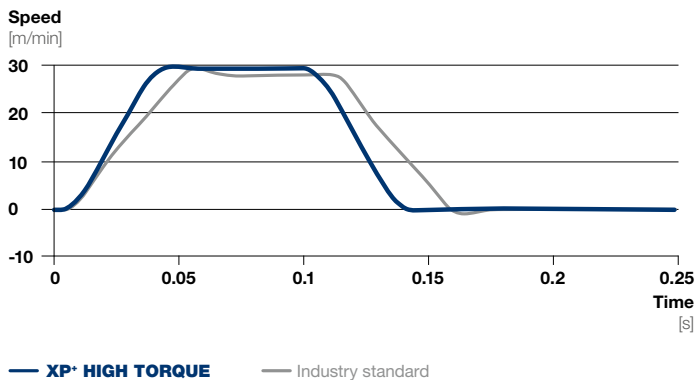
Increase of productivity as well as more process quality

Most compact installation length

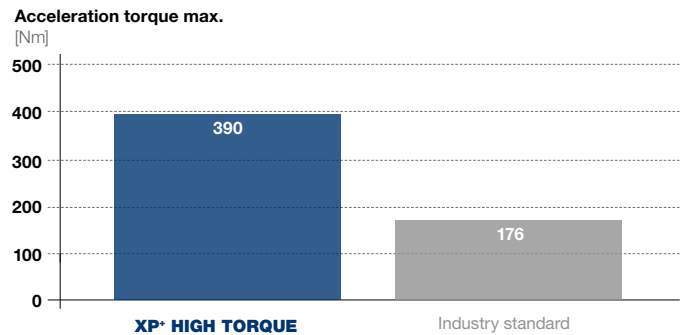
Multiple output configurations for greater flexibility

Smooth shaft, splined shaft (DIN 5480), blind hollow shaft, System output

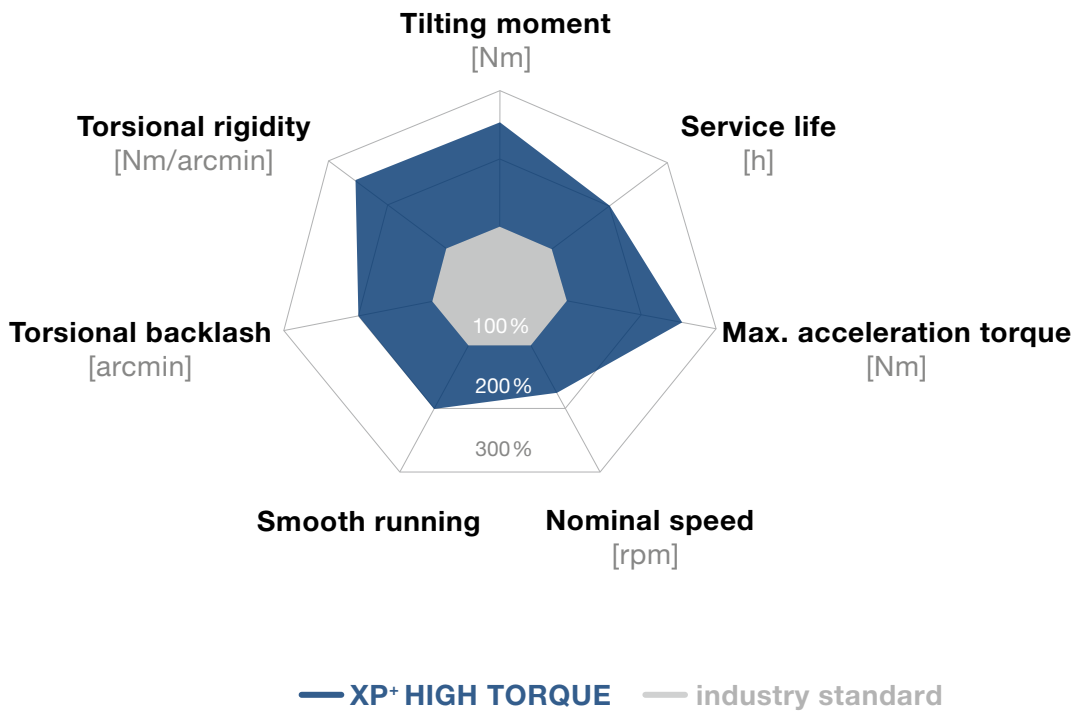
Cycle time reduction in comparison



Torque increase in comparison (size 20)

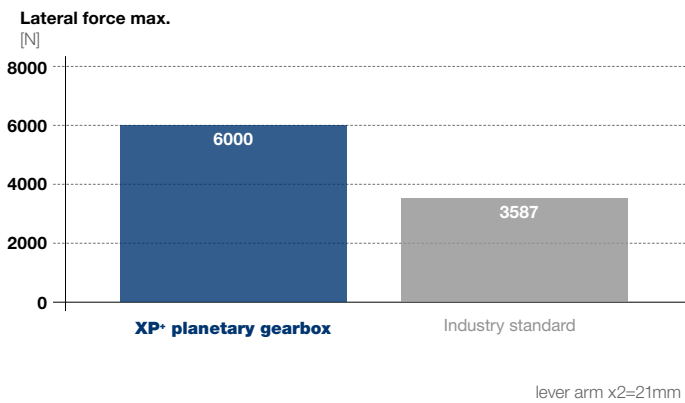


XP+ HIGH TORQUE compared to industry standard

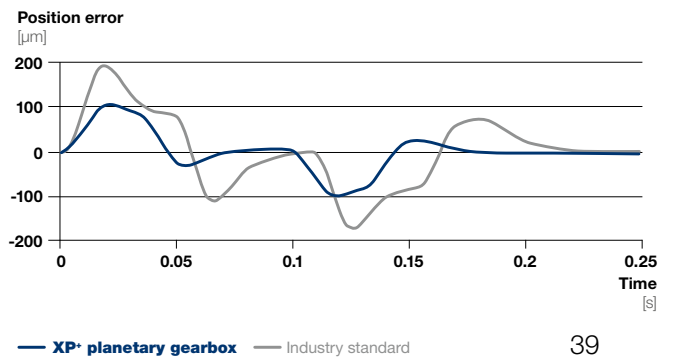


Planetary gearboxes

Lateral forces with lever arm in comparison (size 20)



Positioning in comparison



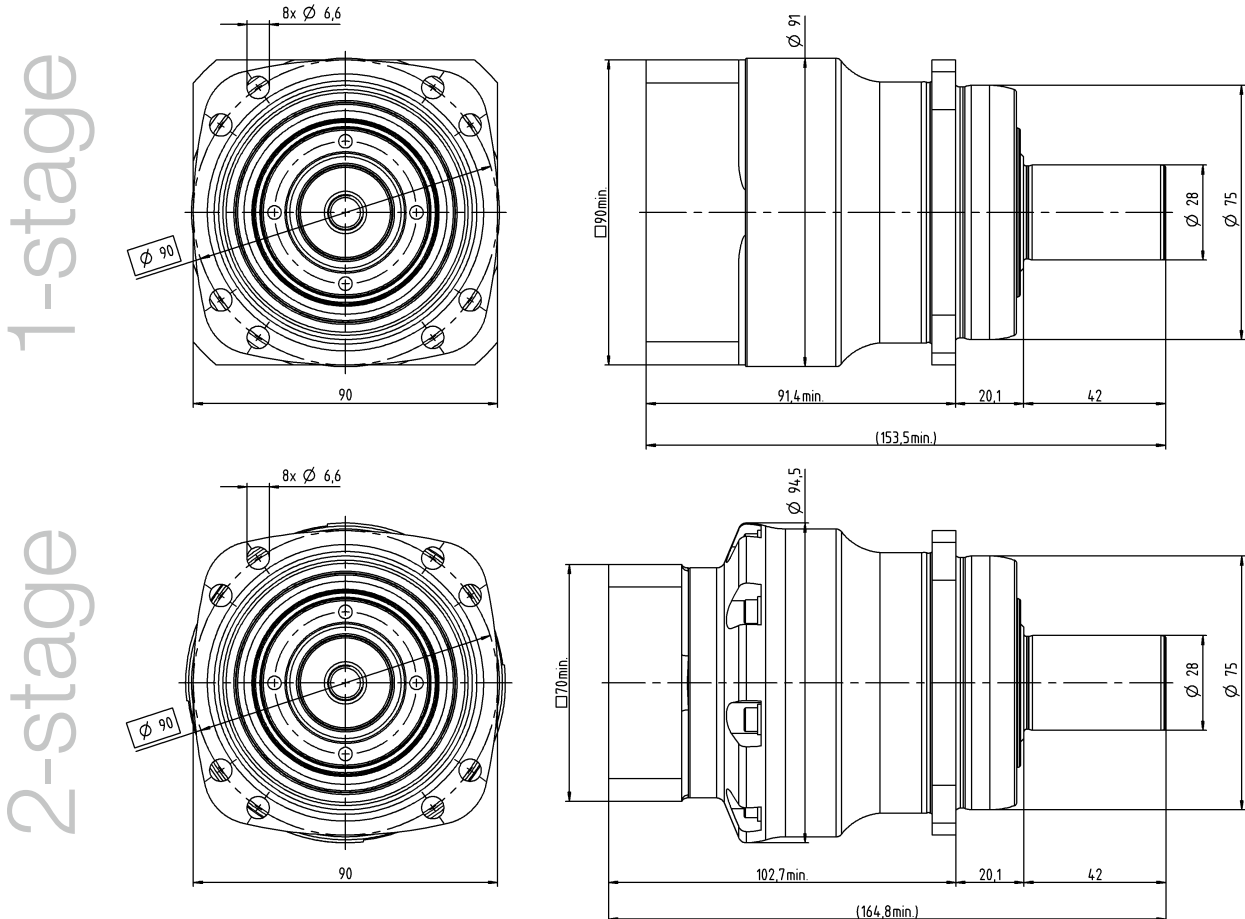
XP+ 020 MA 1-/2-stage

			1-stage	2-stage
Ratio	i		5.5	22 / 27.5
Max. torque ^{a)}	T_{2a}	<i>Nm</i>	390	410
		<i>in.lb</i>	3452	3629
Max. acceleration torque (max. 1000 cycles per hour)	T_{2B}	<i>Nm</i>	365	365
		<i>in.lb</i>	3231	3231
Nominal torque (at n_n)	T_{2N}	<i>Nm</i>	120	135 – 145
		<i>in.lb</i>	1062	1195 – 1283
Emergency stop torque (permitted 1000 times during the service life of the gearbox)	T_{2Not}	<i>Nm</i>	390	418
		<i>in.lb</i>	3452	3700
Thermal speed limit (with 20°C ambient temperature and 10% torque utilization ^{b)})	n_{IT}	<i>rpm</i>	2900	3500
Max. input speed	n_{1Max}	<i>rpm</i>	7500	8500
Max. torsional backlash	j_t	<i>arcmin</i>	Standard ≤ 1	Standard ≤ 1
Torsional rigidity	C_{t21}	<i>Nm/arcmin</i>	20	24
		<i>in.lb/arcmin</i>	177	212
Max. tilting moment	M_{2KMax}	<i>Nm</i>	675	675
		<i>in.lb</i>	5974	5974
Operating noise ^{c)}	L_{PA}	<i>dB(A)</i>	≤ 56	≤ 53
Lubrication			Lubricated for life	Lubricated for life
Clamping hub diameter		<i>mm</i>	19 – 24	14 – 19

^{a)} Application-specific design with cymex® – www.wittenstein-cymex.com

^{b)} For higher ambient temperatures, please reduce input speed

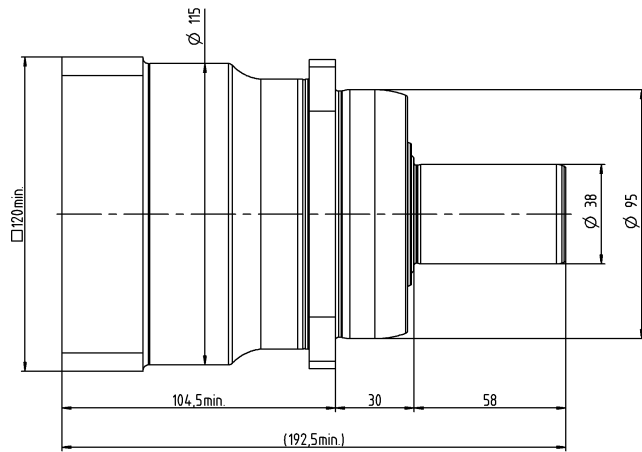
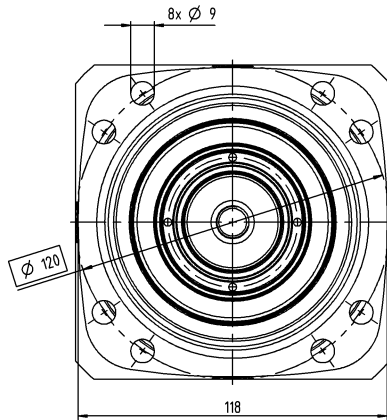
^{c)} At reference ratio and reference speed. Ratio-specific values available in cymex®.



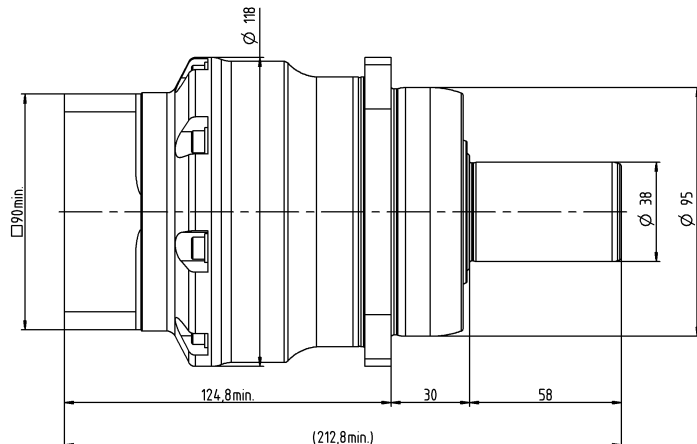
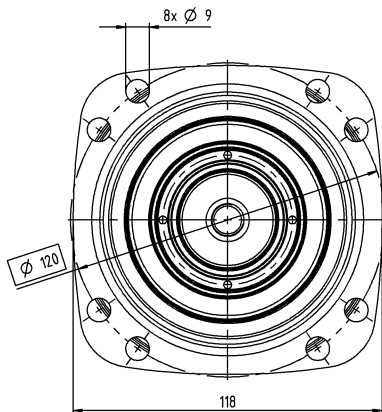
			1-stage	2-stage
Ratio	i		5.5	22 / 27.5 / 38.5 / 55
Max. torque ^{a)}	T_{2a}	<i>Nm</i>	730	660 – 730
		<i>in.lb</i>	6461	5842 – 6461
Max. acceleration torque (max. 1000 cycles per hour)	T_{2B}	<i>Nm</i>	660	600 – 660
		<i>in.lb</i>	5842	5310 – 5842
Nominal torque (at n_n)	T_{2N}	<i>Nm</i>	220	320 – 410
		<i>in.lb</i>	1947	2832 – 1125
Emergency stop torque (permitted 1000 times during the service life of the gearbox)	T_{2Not}	<i>Nm</i>	900	1125
		<i>in.lb</i>	7966	9957
Thermal speed limit (with 20°C ambient temperature and 10% torque utilization) ^{b)}	n_{TT}	<i>rpm</i>	2500	3100 – 3500
Max. input speed	n_{1Max}	<i>rpm</i>	5500	6500
Max. torsional backlash	j_t	<i>arcmin</i>	Standard ≤ 1	Standard ≤ 1
Torsional rigidity	C_{t21}	<i>Nm/arcmin</i>	48	54
		<i>in.lb/arcmin</i>	425	478
Max. tilting moment	M_{2KMax}	<i>Nm</i>	1296	1296
		<i>in.lb</i>	11470	11470
Operating noise ^{c)}	L_{PA}	<i>dB(A)</i>	≤ 59	≤ 56
Lubrication			Lubricated for life	Lubricated for life
Clamping hub diameter		<i>mm</i>	24 – 38	19 – 28

^{a)} Application-specific design with cymex® – www.wittenstein-cymex.com
^{b)} For higher ambient temperatures, please reduce input speed
^{c)} At reference ratio and reference speed. Ratio-specific values available in cymex®.

1-stage



2-stage



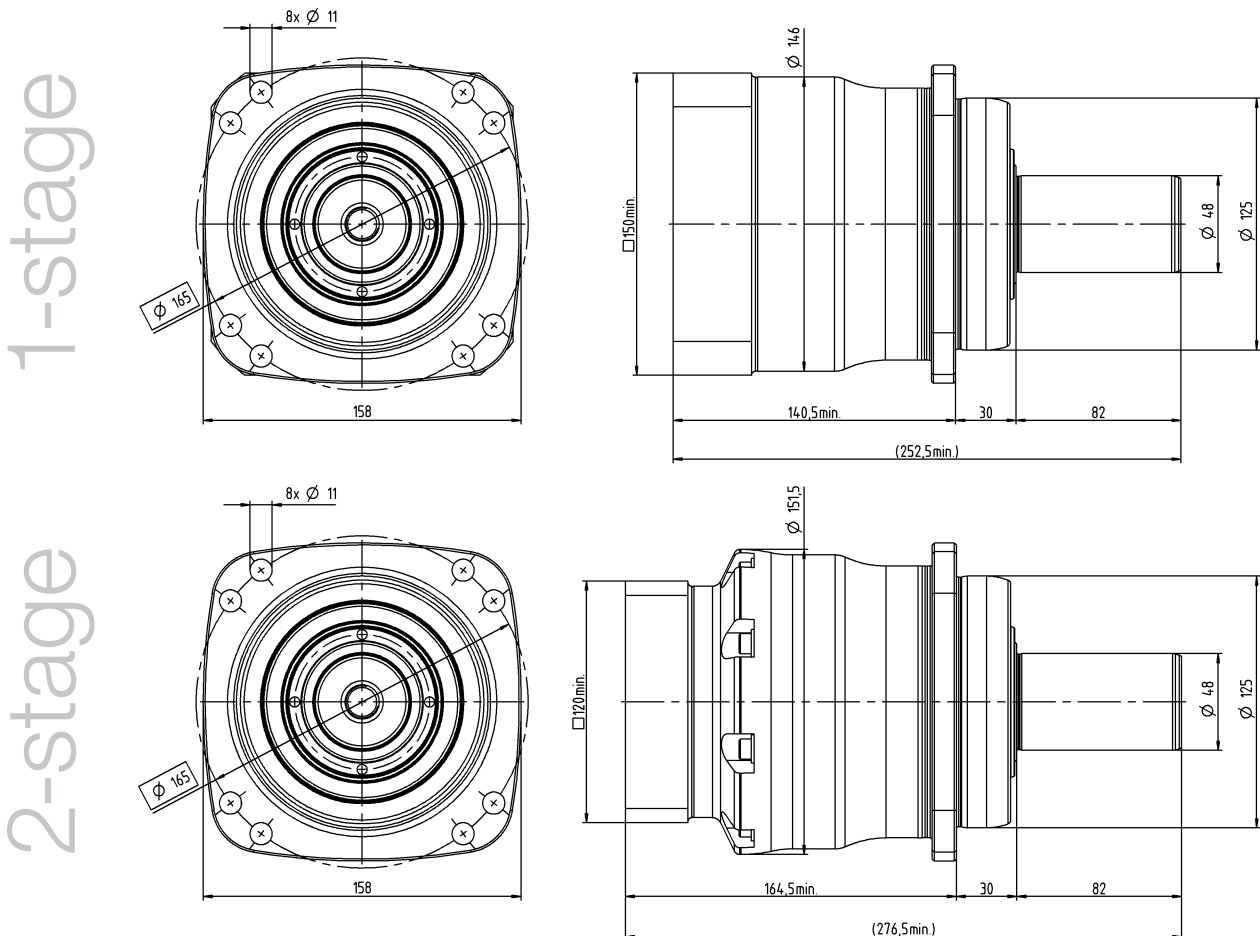
XP+ 040 MA 1-/2-stage

			1-stage	2-stage
Ratio	i		5.5	22 / 27.5 / 38.5 / 55
Max. torque ^{a)}	T_{2a}	<i>Nm</i>	1485	1485
		<i>in.lb</i>	13143	13143
Max. acceleration torque (max. 1000 cycles per hour)	T_{2B}	<i>Nm</i>	1350	1350
		<i>in.lb</i>	11949	11949
Nominal torque (at n_n)	T_{2N}	<i>Nm</i>	440	530 – 705
		<i>in.lb</i>	3894	4691 – 6240
Emergency stop torque (permitted 1000 times during the service life of the gearbox)	T_{2Not}	<i>Nm</i>	2300	2300
		<i>in.lb</i>	20357	20357
Thermal speed limit (with 20°C ambient temperature and 10% torque utilization ^{b)})	n_{1T}	<i>rpm</i>	2100	2900 – 3200
Max. input speed	n_{1Max}	<i>rpm</i>	5000	6000
Max. torsional backlash	j_t	<i>arcmin</i>	Standard ≤ 1	Standard ≤ 1
Torsional rigidity	C_{t21}	<i>Nm/arcmin</i>	102	105
		<i>in.lb/arcmin</i>	903	929
Max. tilting moment	M_{2KMax}	<i>Nm</i>	1635	1635
		<i>in.lb</i>	14470	14470
Operating noise ^{c)}	L_{PA}	<i>dB(A)</i>	≤ 60	≤ 57
Lubrication			Lubricated for life	Lubricated for life
Clamping hub diameter		<i>mm</i>	32 – 48	24 – 38

^{a)} Application-specific design with cymex® – www.wittenstein-cymex.com

^{b)} For higher ambient temperatures, please reduce input speed

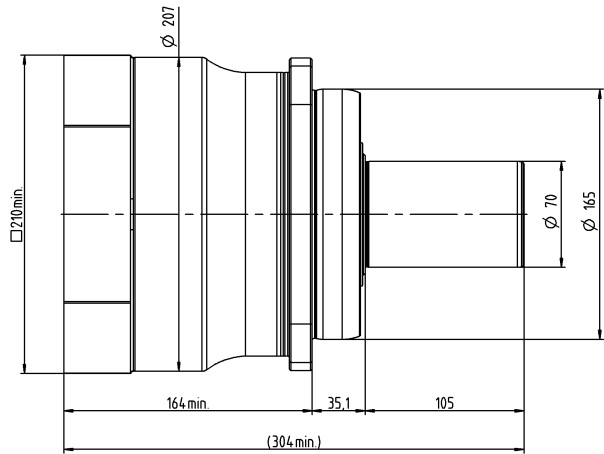
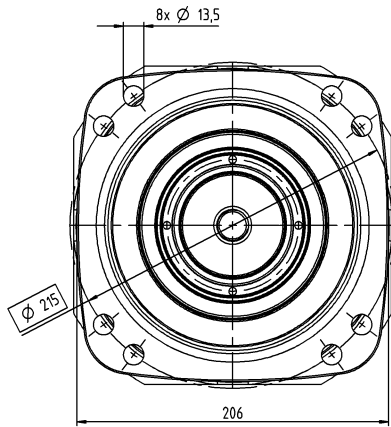
^{c)} At reference ratio and reference speed. Ratio-specific values available in cymex®.



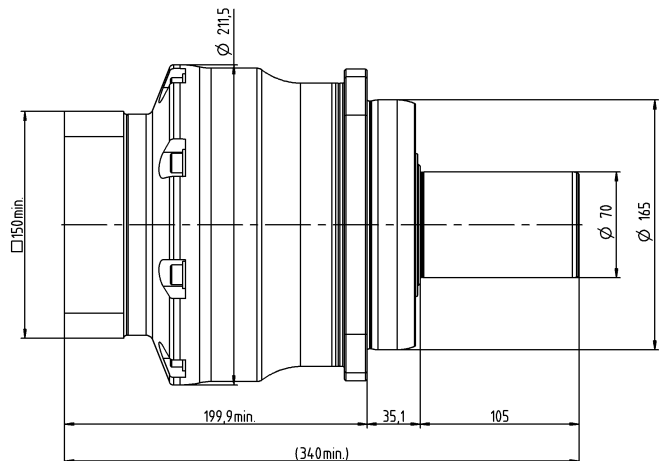
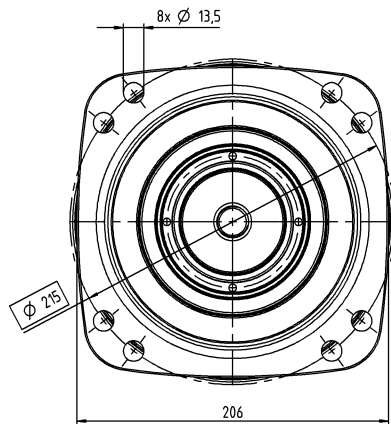
			1-stage	2-stage
Ratio	i		5.5	22 / 27.5 / 38.5 / 55
Max. torque ^{a)}	T_{2a}	Nm	4400	3800 – 4400
		in.lb	38944	33633 – 38944
Max. acceleration torque (max. 1000 cycles per hour)	T_{2B}	Nm	4000	3200 – 4000
		in.lb	35403	28322 – 35403
Nominal torque (at n_n)	T_{2N}	Nm	1200	1510 – 2100
		in.lb	10621	13364 – 18586
Emergency stop torque (permitted 1000 times during the service life of the gearbox)	T_{2Not}	Nm	5000	5000
		in.lb	44254	44254
Thermal speed limit (with 20°C ambient temperature and 10% torque utilization) ^{b)}	n_{TT}	rpm	1500	2700 – 2900
Max. input speed	n_{1Max}	rpm	4500	5000
Max. torsional backlash	j_t	arcmin	Standard ≤ 1	Standard ≤ 1
Torsional rigidity	C_{t21}	Nm/arcmin	300	350
		in.lb/arcmin	2655	3098
Max. tilting moment	M_{2KMax}	Nm	3256	3256
		in.lb	28816	28816
Operating noise ^{c)}	L_{PA}	dB(A)	≤ 64	≤ 58
Lubrication			Lubricated for life	Lubricated for life
Clamping hub diameter		mm	48 – 65	32 – 48

^{a)} Application-specific design with cymex® – www.wittenstein-cymex.com
^{b)} For higher ambient temperatures, please reduce input speed
^{c)} At reference ratio and reference speed. Ratio-specific values available in cymex®.

1-stage



2-stage



RP+ – The high-precision powerhouse



RP+

Product highlights

Max. torsional backlash [arcmin] $\leq 1 - 3$

High axial and radial forces

Easy installation

Optimized for rack and pinion applications

Available output types
Flange, System output

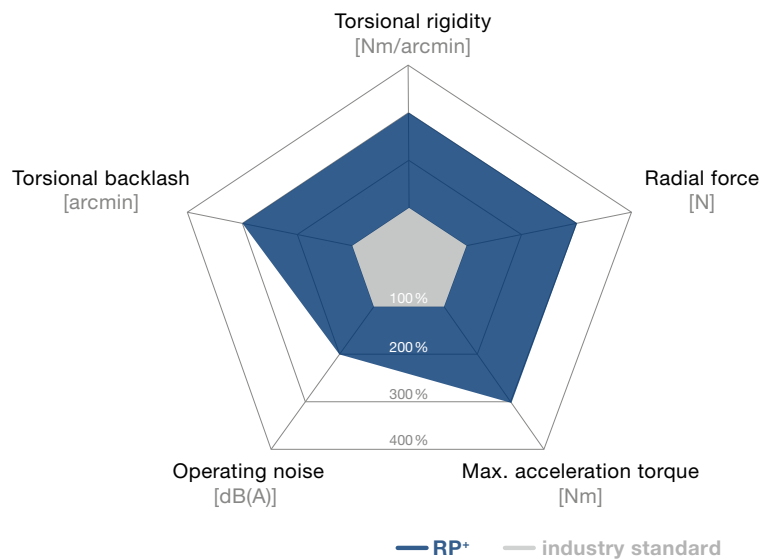
This gearbox series sets standards in terms of power density, modularity and easy installation. It is used in all applications where the individual requirements far exceed what has previously been possible. RP+ gearboxes combine all the advantages of the familiar gearbox series:

- Reduced backlash of ≤ 1 arcmin
- Maximum power density
- Extremely smooth-running thanks to helical toothing
- Maximum positioning accuracy and world-class lifespan

The RP+ impresses with maximum power density

- if your drive requires maximum performance
- if you value world-class engineering
- if you require an even more compact system

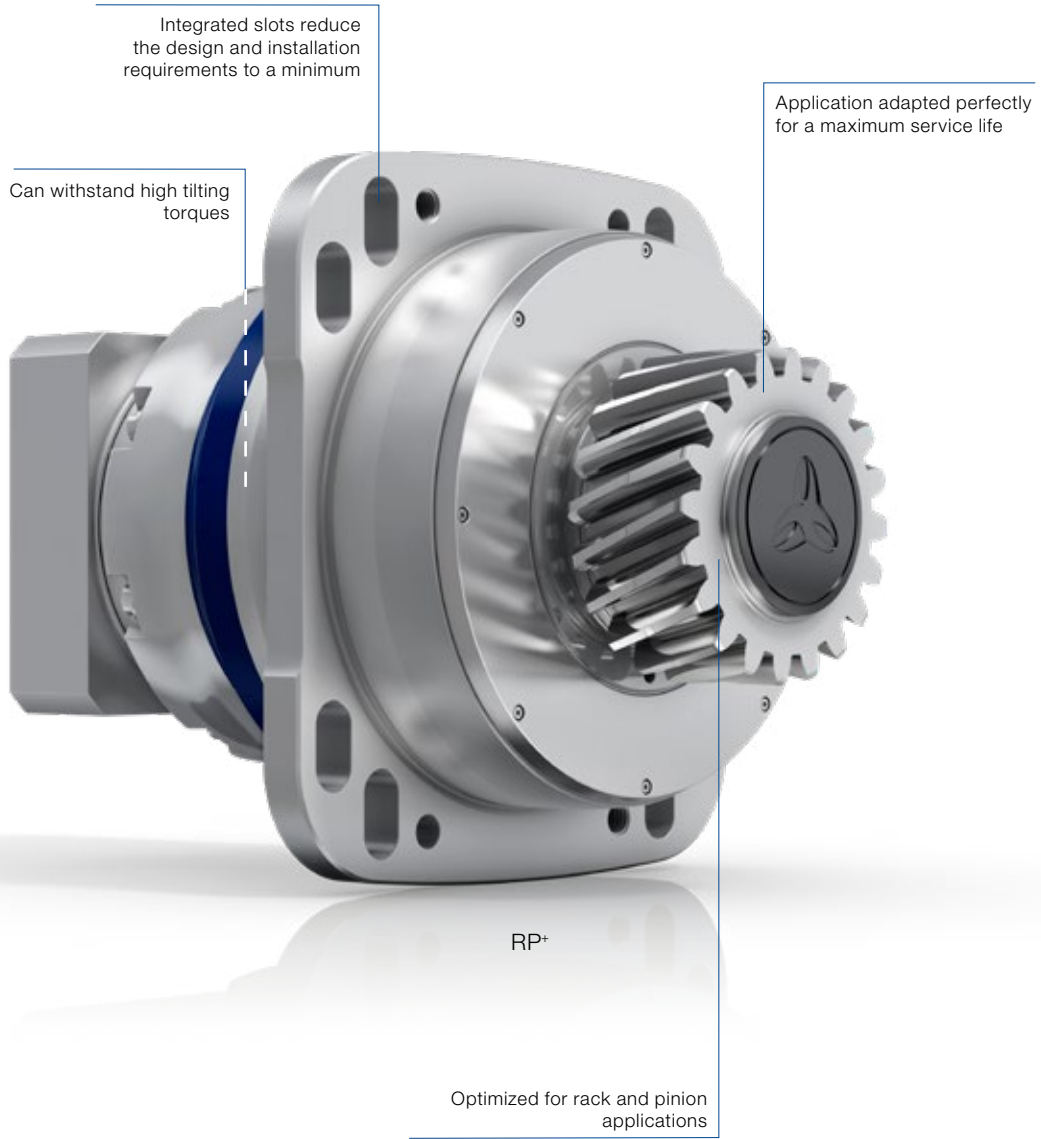
The RP+ compared to the industry standard



RP+ with rack and pinion



RPK+ with hypoid angle section



Further information is available in the „alpha Linear Systems“ catalog or online at www.wittenstein-alpha.com



RP+ available as RPM+ servo actuator version (series in an even more compact design)

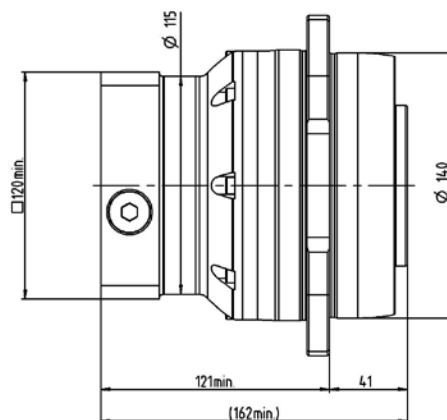
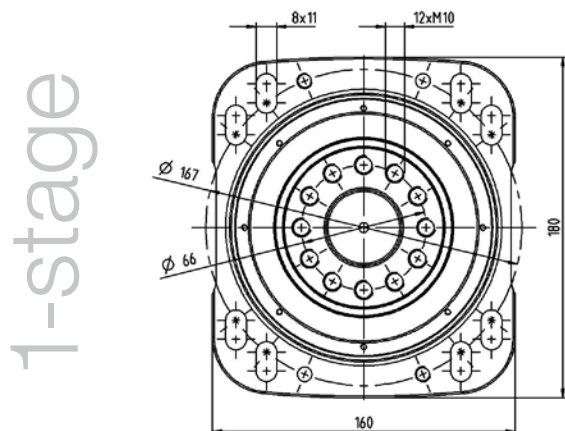
RP+ 030 MF 1-stage

			1-stage
Ratio	i		4 / 5 / 7 / 10
Max. torque ^{a)}	T_{2a}	<i>Nm</i>	352 – 380
		<i>in.lb</i>	3115 – 3363
Max. acceleration torque (max. 1000 cycles per hour)	T_{2B}	<i>Nm</i>	318 – 380
		<i>in.lb</i>	2815 – 3363
Nominal torque (at n_n)	T_{2N}	<i>Nm</i>	172 – 182
		<i>in.lb</i>	1522 – 1611
Emergency stop torque (permitted 1000 times during the service life of the gearbox)	T_{2Not}	<i>Nm</i>	625
		<i>in.lb</i>	5532
Thermal speed limit (with 20°C ambient temperature and 10% torque utilization) ^{b)}	n_{1T}	<i>rpm</i>	2000 – 2800
Max. input speed	n_{1Max}	<i>rpm</i>	5500
Max. torsional backlash	j_t	<i>arcmin</i>	Standard ≤ 3 / Reduced ≤ 1
Torsional rigidity	C_{t21}	<i>Nm/arcmin</i>	62 – 86
		<i>in.lb/arcmin</i>	549 – 761
Max. tilting moment	M_{2KMax}	<i>Nm</i>	1800
		<i>in.lb</i>	15931
Operating noise ^{c)}	L_{PA}	<i>dB(A)</i>	≤ 61
Lubrication			Lubricated for life
Clamping hub diameter		<i>mm</i>	19 – 38

^{a)} Application-specific design with cymex® – www.wittenstein-cymex.com

^{b)} For higher ambient temperatures, please reduce input speed

^{c)} At reference ratio and reference speed. Ratio-specific values available in cymex®.



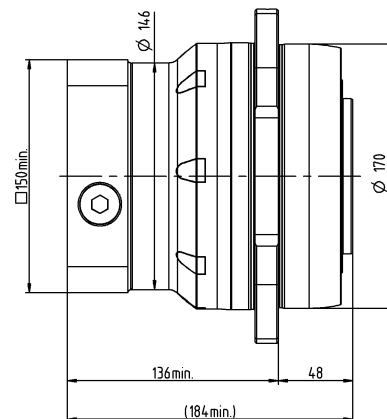
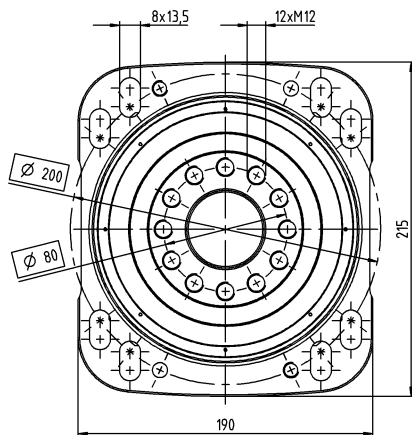
			1-stage
Ratio	i		4 / 5 / 7 / 10
Max. torque ^{a)}	T_{2a}	<i>Nm</i>	720 – 1120
		<i>in.lb</i>	6373 – 9913
Max. acceleration torque (max. 1000 cycles per hour)	T_{2B}	<i>Nm</i>	540 – 700
		<i>in.lb</i>	4779 – 6196
Nominal torque (at n_n)	T_{2N}	<i>Nm</i>	272 – 318
		<i>in.lb</i>	2408 – 2810
Emergency stop torque (permitted 1000 times during the service life of the gearbox)	T_{2Not}	<i>Nm</i>	1563
		<i>in.lb</i>	13829
Thermal speed limit (with 20°C ambient temperature and 10% torque utilization) ^{b)}	n_{TT}	<i>rpm</i>	2500 – 3200
Max. input speed	n_{1Max}	<i>rpm</i>	5000
Max. torsional backlash	j_t	<i>arcmin</i>	Standard ≤ 3 / Reduced ≤ 1
Torsional rigidity	C_{t21}	<i>Nm/arcmin</i>	123 – 190
		<i>in.lb/arcmin</i>	1089 – 1682
Max. tilting moment	M_{2KMax}	<i>Nm</i>	3600
		<i>in.lb</i>	31863
Operating noise ^{c)}	L_{PA}	<i>dB(A)</i>	≤ 61
Lubrication			Lubricated for life
Clamping hub diameter		<i>mm</i>	24 – 48

^{a)} Application-specific design with cymex® – www.wittenstein-cymex.com

^{b)} For higher ambient temperatures, please reduce input speed

^{c)} At reference ratio and reference speed. Ratio-specific values available in cymex®.

1-stage



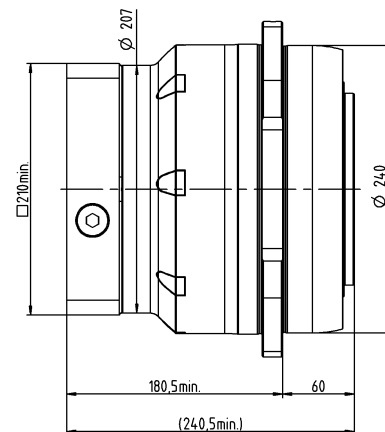
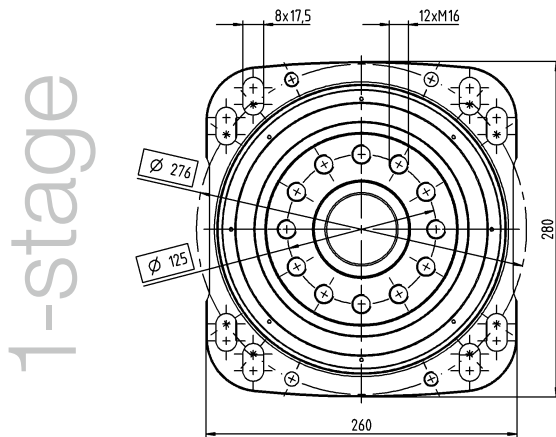
RP+ 050 MF 1-stage

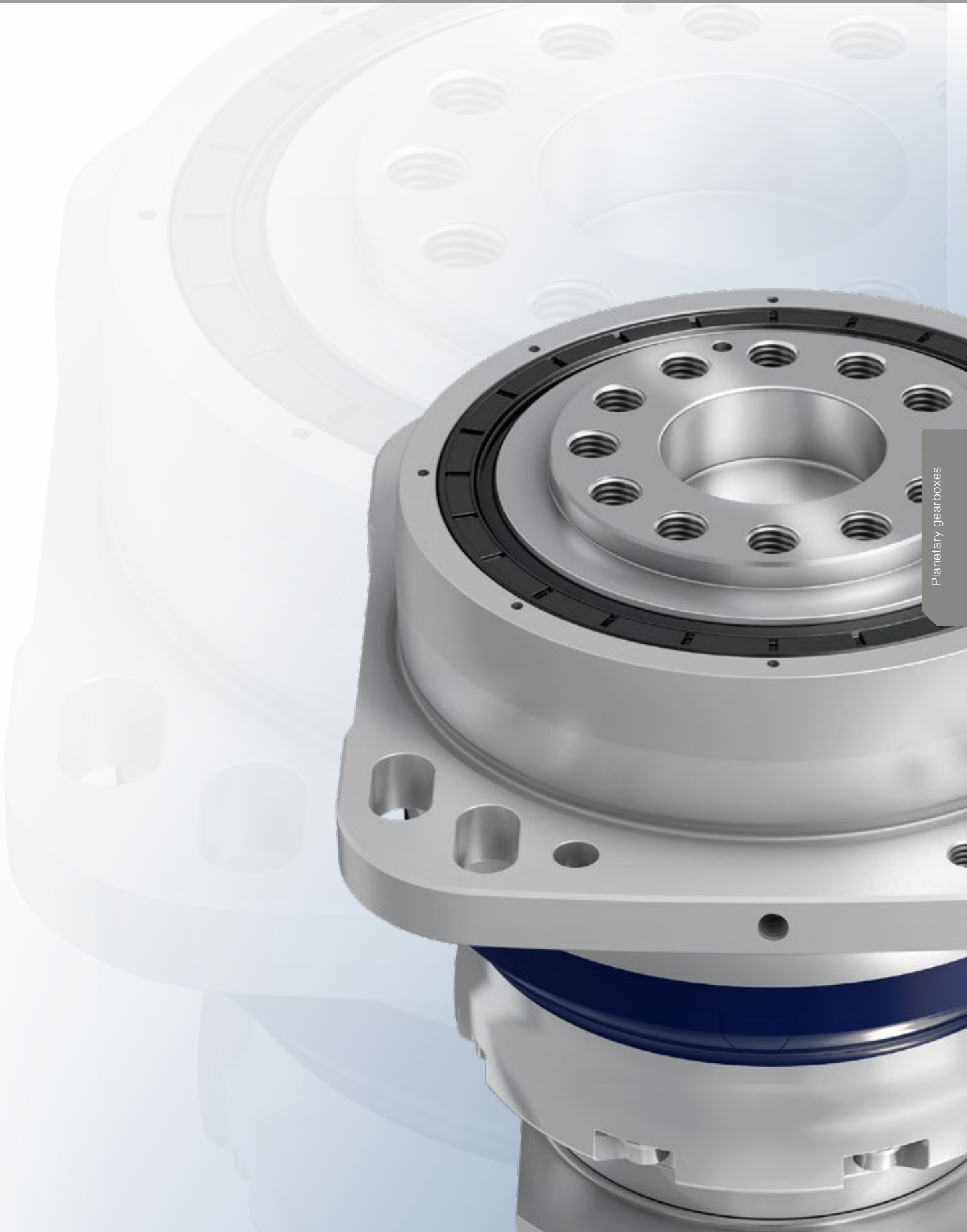
			1-stage
Ratio	i		4 / 5 / 7 / 10
Max. torque ^{a)}	T_{2a}	<i>Nm</i>	2240 – 2560
		<i>in.lb</i>	19826 – 22658
Max. acceleration torque (max. 1000 cycles per hour)	T_{2B}	<i>Nm</i>	1400 – 1600
		<i>in.lb</i>	12391 – 14161
Nominal torque (at n_n)	T_{2N}	<i>Nm</i>	725 – 927
		<i>in.lb</i>	6419 – 8203
Emergency stop torque (permitted 1000 times during the service life of the gearbox)	T_{2Not}	<i>Nm</i>	3204 – 3438
		<i>in.lb</i>	28357 – 30425
Thermal speed limit (with 20°C ambient temperature and 10% torque utilization) ^{b)}	n_{1T}	<i>rpm</i>	1500 – 2300
Max. input speed	n_{1Max}	<i>rpm</i>	4500
Max. torsional backlash	j_t	<i>arcmin</i>	Standard ≤ 3 / Reduced ≤ 1
Torsional rigidity	C_{t21}	<i>Nm/arcmin</i>	445 – 610
		<i>in.lb/arcmin</i>	3939 – 5399
Max. tilting moment	M_{2KMax}	<i>Nm</i>	11000
		<i>in.lb</i>	97359
Operating noise ^{c)}	L_{PA}	<i>dB(A)</i>	≤ 66
Lubrication			Lubricated for life
Clamping hub diameter		<i>mm</i>	38 – 48

^{a)} Application-specific design with cymex® – www.wittenstein-cymex.com

^{b)} For higher ambient temperatures, please reduce input speed

^{c)} At reference ratio and reference speed. Ratio-specific values available in cymex®.





Planetary gearboxes

RP+ 030 MA 1-/2-stage

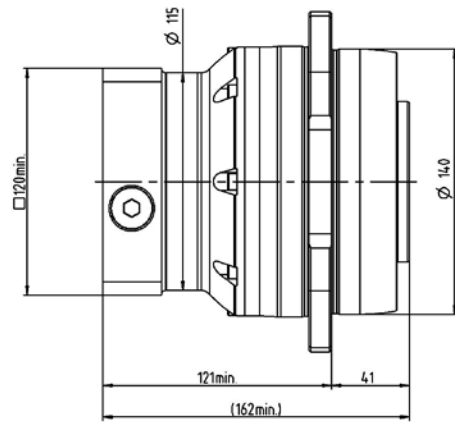
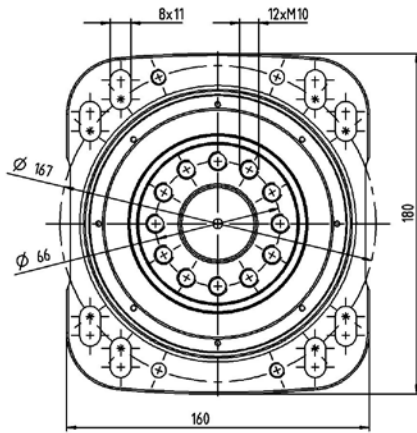
			1-stage	2-stage
Ratio	i		5.5	16 / 22 / 27.5 / 38.5 / 55
Max. torque ^{a)}	T_{2a}	<i>Nm</i>	583	583
		<i>in.lb</i>	5160	5160
Max. acceleration torque (max. 1000 cycles per hour)	T_{2B}	<i>Nm</i>	530	530
		<i>in.lb</i>	4691	4691
Nominal torque (at n_n)	T_{2N}	<i>Nm</i>	243	315 – 432
		<i>in.lb</i>	2150	2788 – 3823
Emergency stop torque (permitted 1000 times during the service life of the gearbox)	T_{2Not}	<i>Nm</i>	1200	1200
		<i>in.lb</i>	10621	10621
Thermal speed limit (with 20°C ambient temperature and 10% torque utilization) ^{b)}	n_{TT}	<i>rpm</i>	2000	3000
Max. input speed	n_{1Max}	<i>rpm</i>	5500	7500
Max. torsional backlash	j_t	<i>arcmin</i>	Standard ≤ 1	Standard ≤ 1
Torsional rigidity	C_{t21}	<i>Nm/arcmin</i>	105	100 – 105
		<i>in.lb/arcmin</i>	929	885 – 929
Max. tilting moment	M_{2KMax}	<i>Nm</i>	1800	1800
		<i>in.lb</i>	15931	15931
Operating noise ^{c)}	L_{PA}	<i>dB(A)</i>	≤ 65	≤ 58
Lubrication			Lubricated for life	Lubricated for life
Clamping hub diameter		<i>mm</i>	19 – 38	19 – 24

^{a)} Application-specific design with cymex® – www.wittenstein-cymex.com

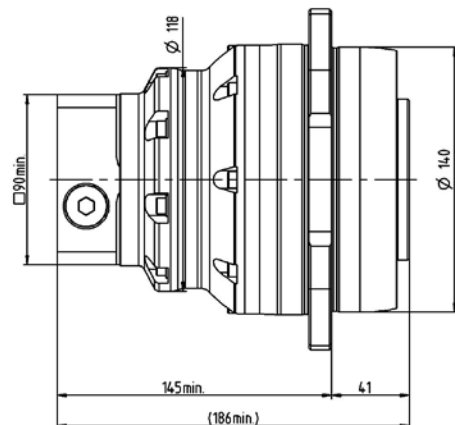
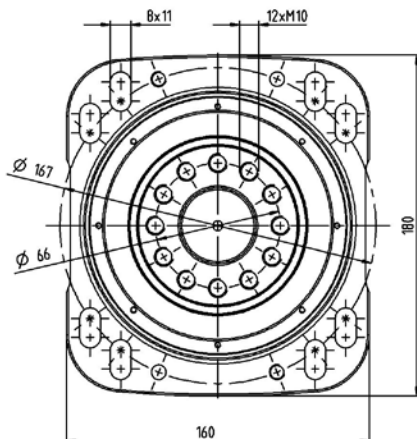
^{b)} For higher ambient temperatures, please reduce input speed

^{c)} At reference ratio and reference speed. Ratio-specific values available in cymex®.

1-stage



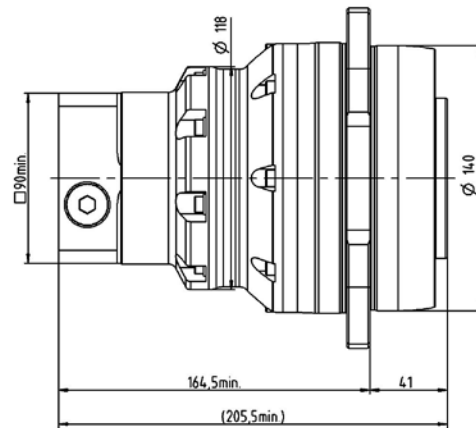
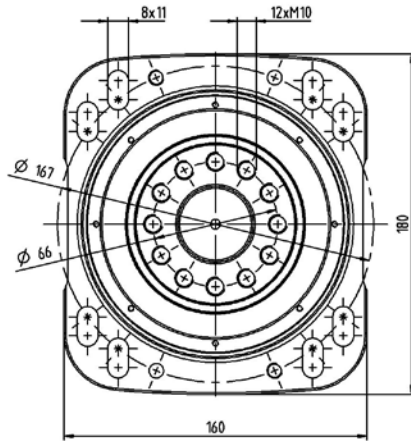
2-stage



			3-stage
Ratio	i		66 / 88 / 110 / 154 / 220
Max. torque ^{a)}	T_{2a}	Nm	583
		$in.lb$	5160
Max. acceleration torque (max. 1000 cycles per hour)	T_{2B}	Nm	530
		$in.lb$	4691
Nominal torque (at n_n)	T_{2N}	Nm	284 – 397
		$in.lb$	2513 – 3513
Emergency stop torque (permitted 1000 times during the service life of the gearbox)	T_{2Not}	Nm	1200
		$in.lb$	10621
Thermal speed limit (with 20°C ambient temperature and 10% torque utilization) ^{b)}	n_{1T}	rpm	3000
Max. input speed	n_{1Max}	rpm	7500
Max. torsional backlash	j_t	$arcmin$	Standard ≤ 1
Torsional rigidity	C_{t21}	$Nm/arcmin$	95
		$in.lb/arcmin$	841
Max. tilting moment	M_{2KMax}	Nm	1800
		$in.lb$	15931
Operating noise ^{c)}	L_{PA}	$dB(A)$	≤ 56
Lubrication			Lubricated for life
Clamping hub diameter		mm	19

^{a)} Application-specific design with cymex® – www.wittenstein-cymex.com
^{b)} For higher ambient temperatures, please reduce input speed
^{c)} At reference ratio and reference speed. Ratio-specific values available in cymex®.

3-stage



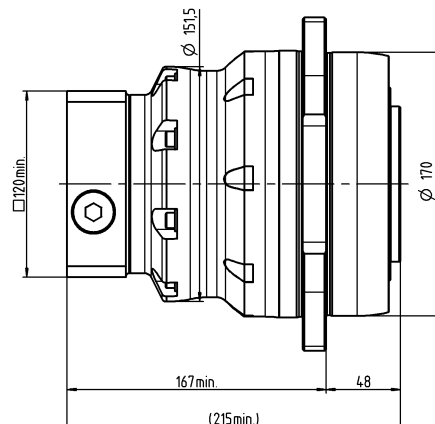
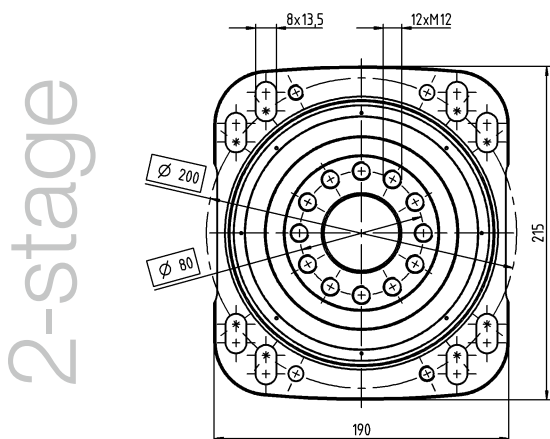
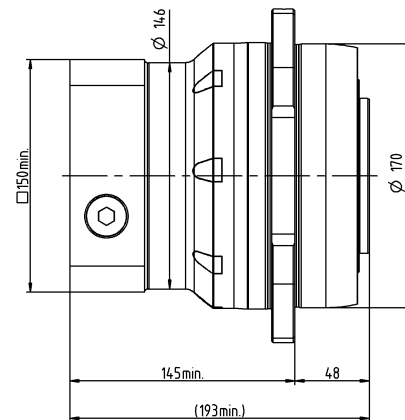
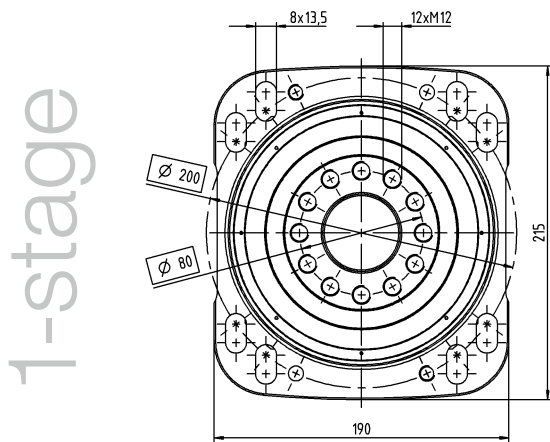
RP+ 040 MA 1-/2-stage

			1-stage	2-stage
Ratio	i		5.5	16 / 22 / 27.5 / 38.5 / 55
Max. torque ^{a)}	T_{2a}	<i>Nm</i>	1402	1270 – 1402
		<i>in.lb</i>	12406	11243 – 12406
Max. acceleration torque (max. 1000 cycles per hour)	T_{2B}	<i>Nm</i>	950	950
		<i>in.lb</i>	8408	8408
Nominal torque (at n_n)	T_{2N}	<i>Nm</i>	417	476 – 653
		<i>in.lb</i>	3695	4217 – 5779
Emergency stop torque (permitted 1000 times during the service life of the gearbox)	T_{2Not}	<i>Nm</i>	2865	2420 – 2613
		<i>in.lb</i>	25358	21416 – 25358
Thermal speed limit (with 20°C ambient temperature and 10% torque utilization ^{b)})	n_{1T}	<i>rpm</i>	2500	4000 – 4100
Max. input speed	n_{1Max}	<i>rpm</i>	5000	6250
Max. torsional backlash	j_t	<i>arcmin</i>	Standard ≤ 1	Standard ≤ 1
Torsional rigidity	C_{t21}	<i>Nm/arcmin</i>	220	220
		<i>in.lb/arcmin</i>	1947	1947
Max. tilting moment	M_{2KMax}	<i>Nm</i>	3600	3600
		<i>in.lb</i>	31863	31863
Operating noise ^{c)}	L_{PA}	<i>dB(A)</i>	≤ 63	≤ 61
Lubrication			Lubricated for life	Lubricated for life
Clamping hub diameter		<i>mm</i>	38 – 48	24 – 38

^{a)} Application-specific design with cymex® – www.wittenstein-cymex.com

^{b)} For higher ambient temperatures, please reduce input speed

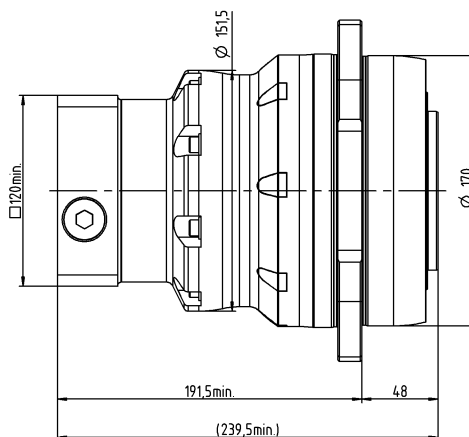
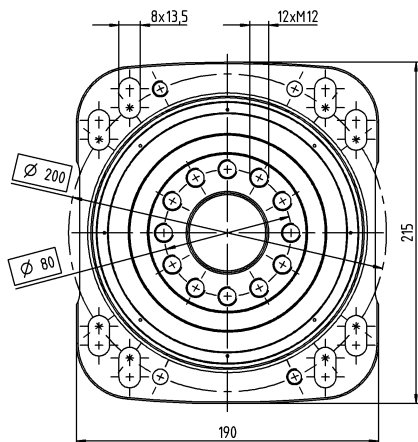
^{c)} At reference ratio and reference speed. Ratio-specific values available in cymex®.



			3-stage
Ratio	i		66 / 88 / 110 / 154 / 220
Max. torque ^{a)}	T_{2a}	<i>Nm</i>	1402
		<i>in.lb</i>	12406
Max. acceleration torque (max. 1000 cycles per hour)	T_{2B}	<i>Nm</i>	950
		<i>in.lb</i>	8408
Nominal torque (at n_n)	T_{2N}	<i>Nm</i>	690 – 760
		<i>in.lb</i>	6103 – 6727
Emergency stop torque (permitted 1000 times during the service life of the gearbox)	T_{2Not}	<i>Nm</i>	2865
		<i>in.lb</i>	25358
Thermal speed limit (with 20°C ambient temperature and 10% torque utilization) ^{b)}	n_{TT}	<i>rpm</i>	4100
Max. input speed	n_{1Max}	<i>rpm</i>	6250
Max. torsional backlash	j_t	<i>arcmin</i>	Standard ≤ 1
Torsional rigidity	C_{t21}	<i>Nm/arcmin</i>	205
		<i>in.lb/arcmin</i>	1814
Max. tilting moment	M_{2KMax}	<i>Nm</i>	3600
		<i>in.lb</i>	31863
Operating noise ^{c)}	L_{PA}	<i>dB(A)</i>	≤ 58
Lubrication			Lubricated for life
Clamping hub diameter		<i>mm</i>	24

^{a)} Application-specific design with cymex® – www.wittenstein-cymex.com
^{b)} For higher ambient temperatures, please reduce input speed
^{c)} At reference ratio and reference speed. Ratio-specific values available in cymex®.

3-stage



RP+ 050 MA 1-/2-stage

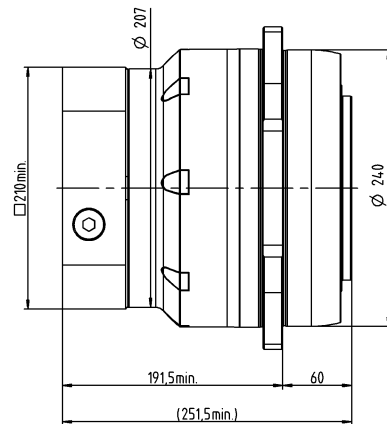
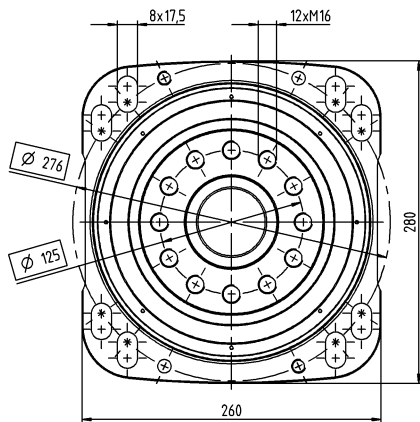
			1-stage	2-stage
Ratio	i		5.5	16 / 22 / 27.5 / 38.5 / 55
Max. torque ^{a)}	T_{2a}	<i>Nm</i>	3822	3518 – 3822
		<i>in.lb</i>	33826	28323 – 33826
Max. acceleration torque (max. 1000 cycles per hour)	T_{2B}	<i>Nm</i>	3100	2000 – 3100
		<i>in.lb</i>	27437	17702 – 27437
Nominal torque (at n_n)	T_{2N}	<i>Nm</i>	1167	1174 – 1977
		<i>in.lb</i>	10326	10387 – 17501
Emergency stop torque (permitted 1000 times during the service life of the gearbox)	T_{2Not}	<i>Nm</i>	6250	7150
		<i>in.lb</i>	55318	63283
Thermal speed limit (with 20°C ambient temperature and 10% torque utilization ^{b)})	n_{1T}	<i>rpm</i>	1500	3100 – 3300
Max. input speed	n_{1Max}	<i>rpm</i>	4500	5625
Max. torsional backlash	j_t	<i>arcmin</i>	Standard ≤ 1	Standard ≤ 1
Torsional rigidity	C_{t21}	<i>Nm/arcmin</i>	730	670 – 730
		<i>in.lb/arcmin</i>	6461	5930 – 6461
Max. tilting moment	M_{2KMax}	<i>Nm</i>	11000	11000
		<i>in.lb</i>	97359	97359
Operating noise ^{c)}	L_{PA}	<i>dB(A)</i>	≤ 66	≤ 64
Lubrication			Lubricated for life	Lubricated for life
Clamping hub diameter		<i>mm</i>	48	38 – 48

^{a)} Application-specific design with cymex® – www.wittenstein-cymex.com

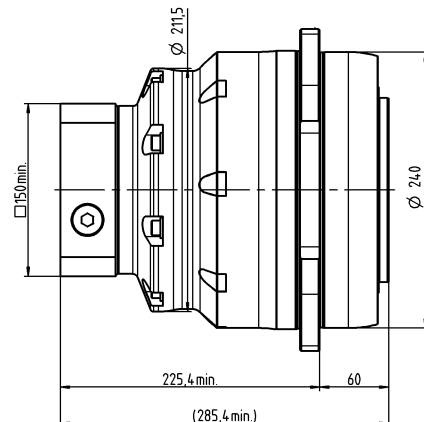
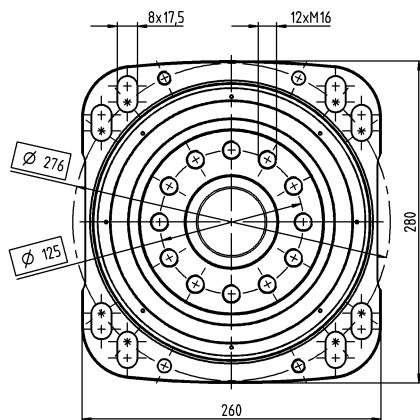
^{b)} For higher ambient temperatures, please reduce input speed

^{c)} At reference ratio and reference speed. Ratio-specific values available in cymex®.

1-stage



2-stage



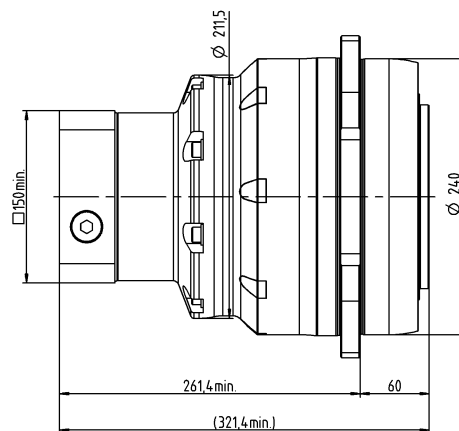
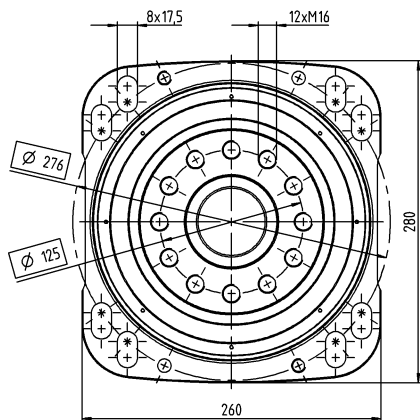
			3-stage
Ratio	i		66 / 88 / 110 / 154 / 220
Max. torque ^{a)}	T_{2a}	<i>Nm</i>	3023
		<i>in.lb</i>	26757
Max. acceleration torque (max. 1000 cycles per hour)	T_{2B}	<i>Nm</i>	2600
		<i>in.lb</i>	23012
Nominal torque (at n_n)	T_{2N}	<i>Nm</i>	1602 – 2080
		<i>in.lb</i>	14182 – 18410
Emergency stop torque (permitted 1000 times during the service life of the gearbox)	T_{2Not}	<i>Nm</i>	8125
		<i>in.lb</i>	71913
Thermal speed limit (with 20°C ambient temperature and 10% torque utilization) ^{b)}	n_{TT}	<i>rpm</i>	3300
Max. input speed	n_{1Max}	<i>rpm</i>	5625
Max. torsional backlash	j_t	<i>arcmin</i>	Standard ≤ 1
Torsional rigidity	C_{t21}	<i>Nm/arcmin</i>	650
		<i>in.lb/arcmin</i>	5753
Max. tilting moment	M_{2KMax}	<i>Nm</i>	11000
		<i>in.lb</i>	97359
Operating noise ^{c)}	L_{PA}	<i>dB(A)</i>	≤ 59
Lubrication			Lubricated for life
Clamping hub diameter		<i>mm</i>	38

^{a)} Application-specific design with cymex® – www.wittenstein-cymex.com

^{b)} For higher ambient temperatures, please reduce input speed

^{c)} At reference ratio and reference speed. Ratio-specific values available in cymex®.

3-stage



RP+ 060 MA 1-/2-stage

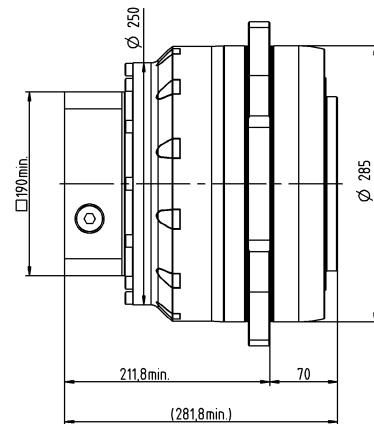
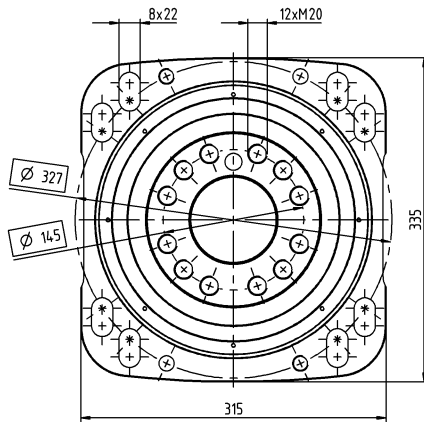
			1-stage	2-stage
Ratio	i		5.5	22 / 27.5 / 38.5 / 55
Max. torque ^{a)}	T_{2a}	<i>Nm</i>	7360	6240 – 7535
		<i>in.lb</i>	65142	55229 – 66691
Max. acceleration torque (max. 1000 cycles per hour)	T_{2B}	<i>Nm</i>	4600	3900 – 5500
		<i>in.lb</i>	40714	34518 – 48679
Nominal torque (at n_n)	T_{2N}	<i>Nm</i>	2829	3120 – 3530
		<i>in.lb</i>	25035	27614 – 31243
Emergency stop torque (permitted 1000 times during the service life of the gearbox)	T_{2Not}	<i>Nm</i>	10938	15296 – 15333
		<i>in.lb</i>	96806	135377 – 135709
Thermal speed limit (with 20°C ambient temperature and 10% torque utilization ^{b)})	n_{IT}	<i>rpm</i>	1000	2750
Max. input speed	n_{1Max}	<i>rpm</i>	3125	4375
Max. torsional backlash	j_t	<i>arcmin</i>	Standard ≤ 1	Standard $\leq 1,5$
Torsional rigidity	C_{t21}	<i>Nm/arcmin</i>	1200	1200
		<i>in.lb/arcmin</i>	10621	10621
Max. tilting moment	M_{2KMax}	<i>Nm</i>	21000	21000
		<i>in.lb</i>	185867	185867
Operating noise ^{c)}	L_{PA}	<i>dB(A)</i>	≤ 68	≤ 64
Lubrication			Lubricated for life	Lubricated for life
Clamping hub diameter		<i>mm</i>	55	48

^{a)} Application-specific design with cymex® – www.wittenstein-cymex.com

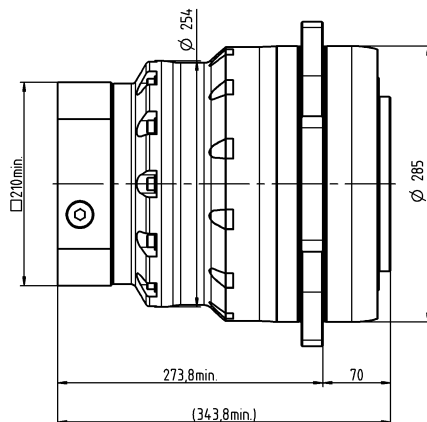
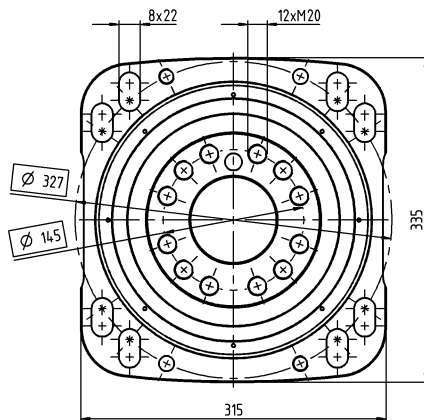
^{b)} For higher ambient temperatures, please reduce input speed

^{c)} At reference ratio and reference speed. Ratio-specific values available in cymex®.

1-stage



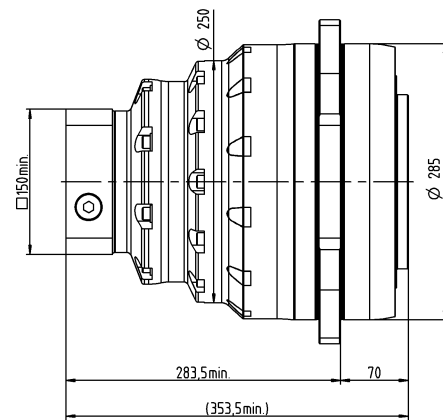
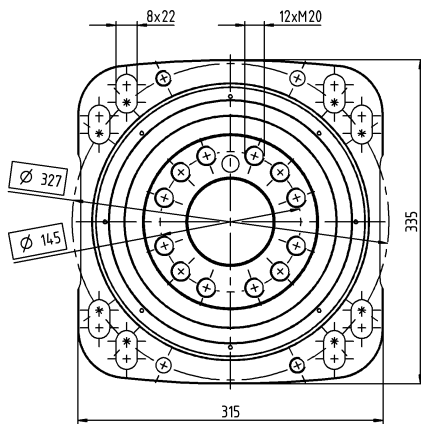
2-stage



			3-stage
Ratio	i		66 / 88 / 110 / 154 / 220
Max. torque ^{a)}	T_{2a}	Nm	6987
		$in.lb$	61838
Max. acceleration torque (max. 1000 cycles per hour)	T_{2B}	Nm	5500
		$in.lb$	48679
Nominal torque (at n_n)	T_{2N}	Nm	2923 – 4196
		$in.lb$	25869 – 37136
Emergency stop torque (permitted 1000 times during the service life of the gearbox)	T_{2Not}	Nm	15333
		$in.lb$	135709
Thermal speed limit (with 20°C ambient temperature and 10% torque utilization) ^{b)}	n_{TT}	rpm	2750
Max. input speed	n_{1Max}	rpm	4375
Max. torsional backlash	j_t	$arcmin$	Standard $\leq 1,5$
Torsional rigidity	C_{t21}	$Nm/arcmin$	1200
		$in.lb/arcmin$	10621
Max. tilting moment	M_{2KMax}	Nm	21000
		$in.lb$	185867
Operating noise ^{c)}	L_{PA}	$dB(A)$	≤ 59
Lubrication			Lubricated for life
Clamping hub diameter		mm	38

^{a)} Application-specific design with cymex® – www.wittenstein-cymex.com
^{b)} For higher ambient temperatures, please reduce input speed
^{c)} At reference ratio and reference speed. Ratio-specific values available in cymex®.

3-stage



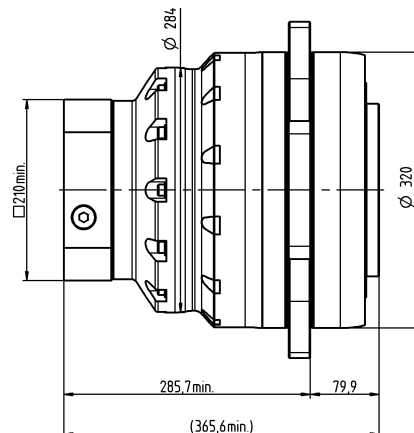
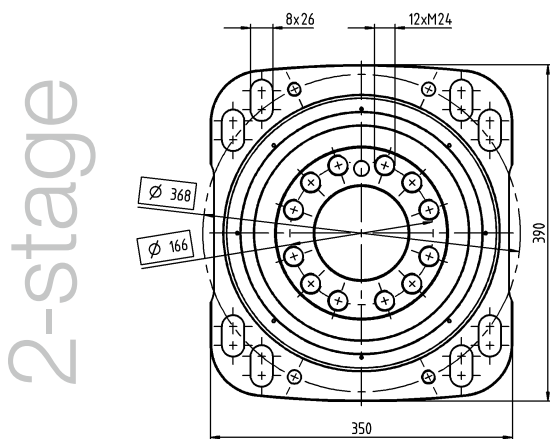
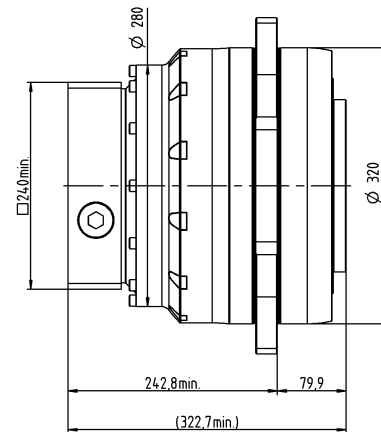
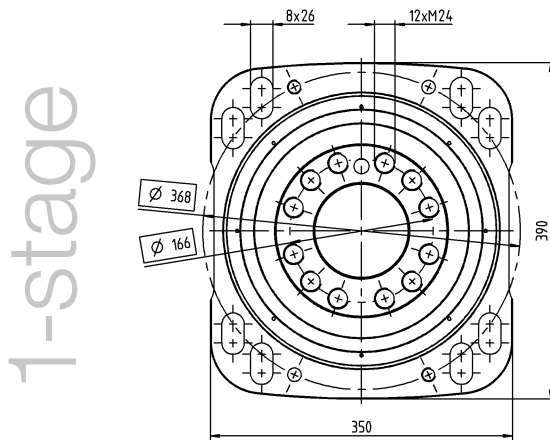
RP+ 080 MA 1-/2-stage

			1-stage	2-stage
Ratio	i		5.5	22 / 27.5 / 38.5 / 55
Max. torque ^{a)}	T_{2a}	<i>Nm</i>	10450	10450
		<i>in.lb</i>	92491	92491
Max. acceleration torque (max. 1000 cycles per hour)	T_{2B}	<i>Nm</i>	8000	7200 – 10000
		<i>in.lb</i>	70806	63726 – 88508
Nominal torque (at n_n)	T_{2N}	<i>Nm</i>	4313	4602 – 4921
		<i>in.lb</i>	38174	40736 – 43558
Emergency stop torque (permitted 1000 times during the service life of the gearbox)	T_{2Not}	<i>Nm</i>	18750	25000
		<i>in.lb</i>	165953	221270
Thermal speed limit (with 20°C ambient temperature and 10% torque utilization ^{b)})	n_{1T}	<i>rpm</i>	900	1950
Max. input speed	n_{1Max}	<i>rpm</i>	3125	4375
Max. torsional backlash	j_t	<i>arcmin</i>	Standard ≤ 1	Standard $\leq 1,5$
Torsional rigidity	C_{t21}	<i>Nm/arcmin</i>	2000	2000
		<i>in.lb/arcmin</i>	17702	17702
Max. tilting moment	M_{2KMax}	<i>Nm</i>	34000	34000
		<i>in.lb</i>	300927	300927
Operating noise ^{c)}	L_{PA}	<i>dB(A)</i>	≤ 68	≤ 65
Lubrication			Lubricated for life	Lubricated for life
Clamping hub diameter		<i>mm</i>	60	48

^{a)} Application-specific design with cymex® – www.wittenstein-cymex.com

^{b)} For higher ambient temperatures, please reduce input speed

^{c)} At reference ratio and reference speed. Ratio-specific values available in cymex®.



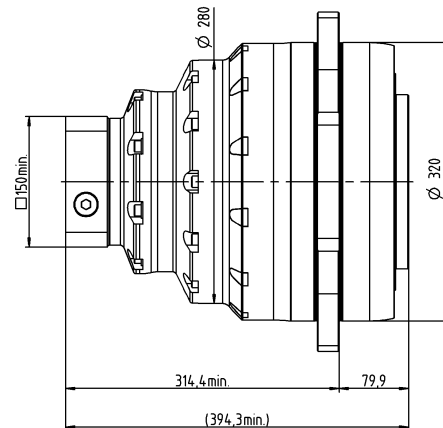
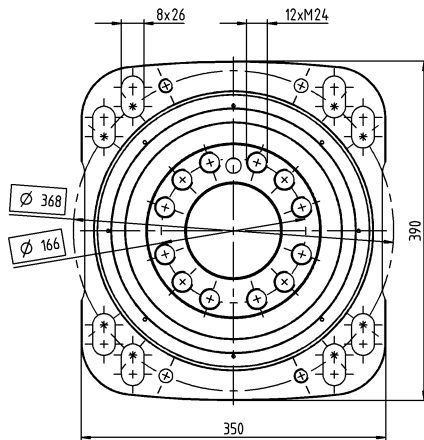
			3-stage
Ratio	i		66 / 88 / 110 / 154 / 220
Max. torque ^{a)}	T_{2a}	<i>Nm</i>	10450
		<i>in.lb</i>	92491
Max. acceleration torque (max. 1000 cycles per hour)	T_{2B}	<i>Nm</i>	10000
		<i>in.lb</i>	88508
Nominal torque (at n_n)	T_{2N}	<i>Nm</i>	4567 – 7308
		<i>in.lb</i>	40418 – 64684
Emergency stop torque (permitted 1000 times during the service life of the gearbox)	T_{2Not}	<i>Nm</i>	25000
		<i>in.lb</i>	221270
Thermal speed limit (with 20°C ambient temperature and 10% torque utilization) ^{b)}	n_{TT}	<i>rpm</i>	1950
Max. input speed	n_{1Max}	<i>rpm</i>	4375
Max. torsional backlash	j_t	<i>arcmin</i>	Standard $\leq 1,5$
Torsional rigidity	C_{t21}	<i>Nm/arcmin</i>	1800
		<i>in.lb/arcmin</i>	15931
Max. tilting moment	M_{2KMax}	<i>Nm</i>	34000
		<i>in.lb</i>	300927
Operating noise ^{c)}	L_{PA}	<i>dB(A)</i>	≤ 62
Lubrication			Lubricated for life
Clamping hub diameter		<i>mm</i>	38 – 48

^{a)} Application-specific design with cymex® – www.wittenstein-cymex.com

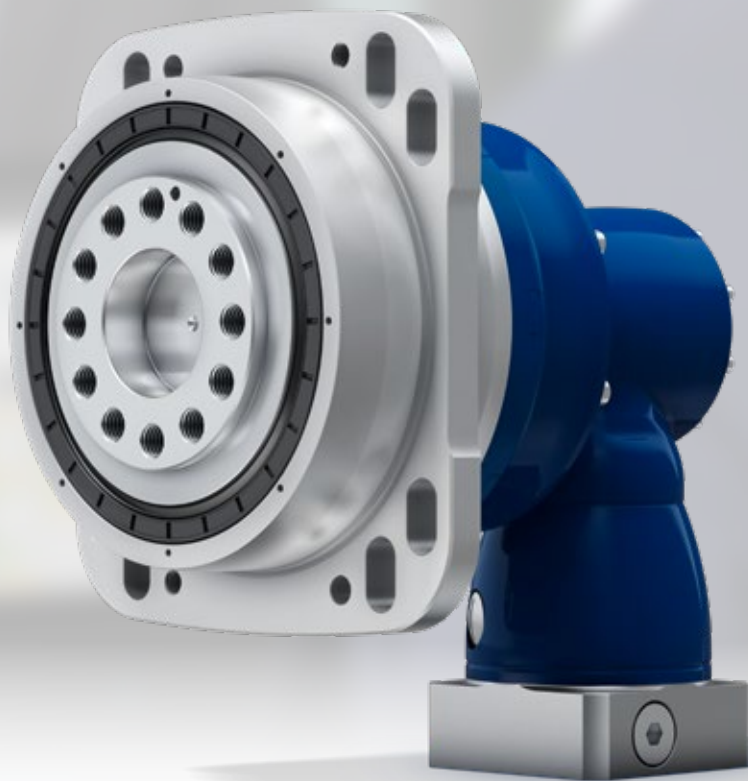
^{b)} For higher ambient temperatures, please reduce input speed

^{c)} At reference ratio and reference speed. Ratio-specific values available in cymex®.

3-stage







XPK⁺ and RPK⁺ hypoid gearboxes

A new performance standard

XPK⁺ / RPK⁺ – Power and precision in a compact design



XPK⁺

New standard now also available as a hypoid version

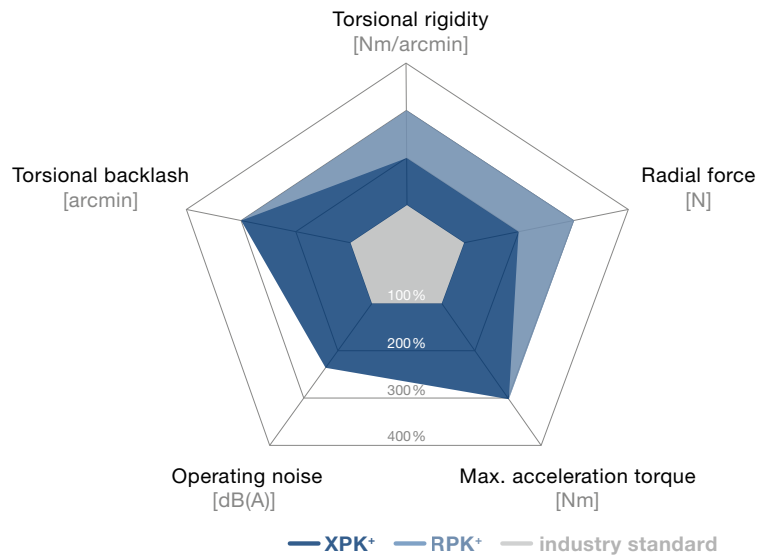
Both the XP⁺ and RP⁺ Premium planetary gearboxes are now available in a right-angle version with hypoid gearing. The axis offset of hypoid gearboxes allows both higher ratios in one section (ratio $i = 3 - 10$) as well as higher torques compared to bevel gearboxes. The high torque density allows for an extremely compact, space-saving design. The mesh frequency and high torsional rigidity of the gearbox are also extremely impressive since they ensure a higher degree of positioning accuracy and extremely smooth operation.

XPK⁺ and RPK⁺ compared to industry standard

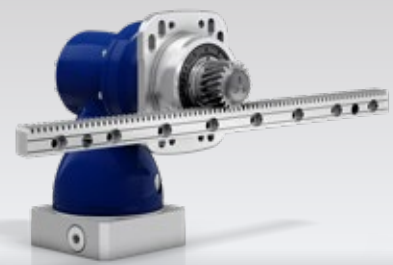
Product highlights

Max. torsional backlash
 XPK⁺ ≤ 4 arcmin (Standard)
 ≤ 2 arcmin (Reduced)
 RPK⁺ ≤ 1.3 arcmin

XPK⁺ and RPK⁺:
Range of transmission ratios: $i = 12 - 5,500$
High axial and radial forces
High torsional rigidity
Maximum performance in small installation space
Optimized for rack and pinion applications
Multiple output configurations for greater flexibility
 Smooth shaft, shaft with key, splined shaft (DIN 5480), blind hollow shaft, flange, System output



XPK⁺ with pinion and slots



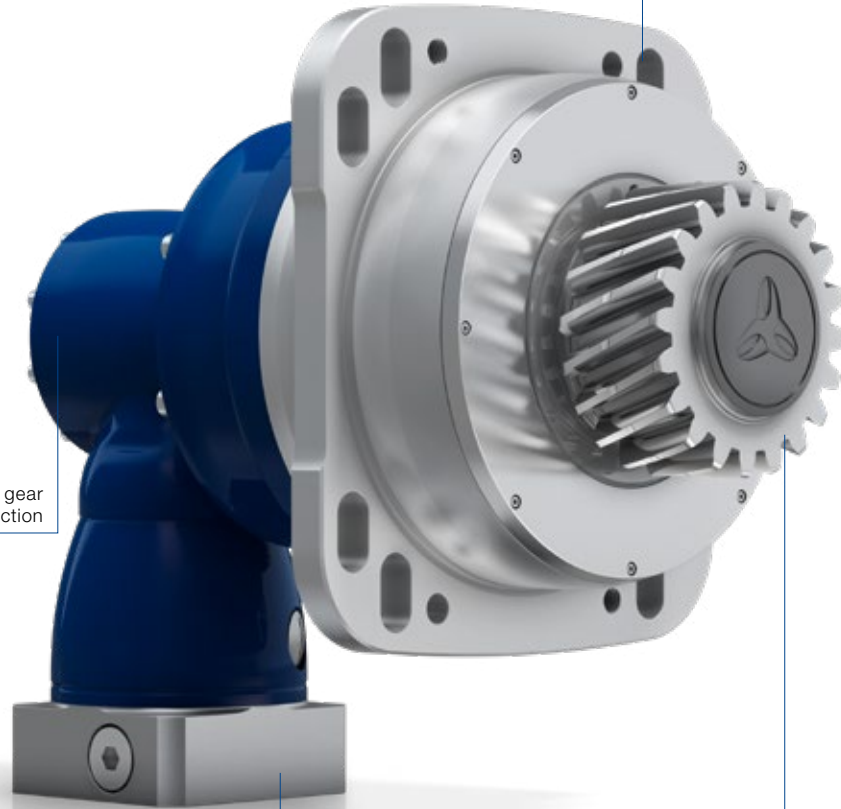
XPK⁺ with pinion, slots and rack

The ideal partnership

Premium Linear Systems with the XPK⁺ or RPK⁺ are used in all applications where the individual requirements far exceed what has previously been possible. Compared to the industry standard, the values of the RPK⁺ have been improved by 150 % on average.

Integrated slots reduce the design and installation requirements to a minimum

High-quality hypoid section with gear ratios of $i = 3 - 10$ in the angle section



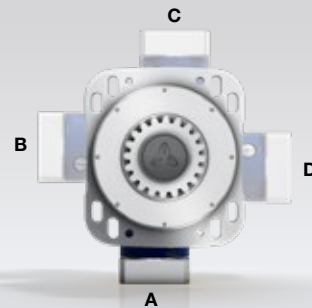
RPK⁺ with pinion

Metal bellows coupling incorporated for thermal length compensation and protection of the motor bearing

The pinions are specially adapted to the gearbox and allow the transmission of extremely high feed forces



RPK⁺ with rack and pinion



Flexibility during installation

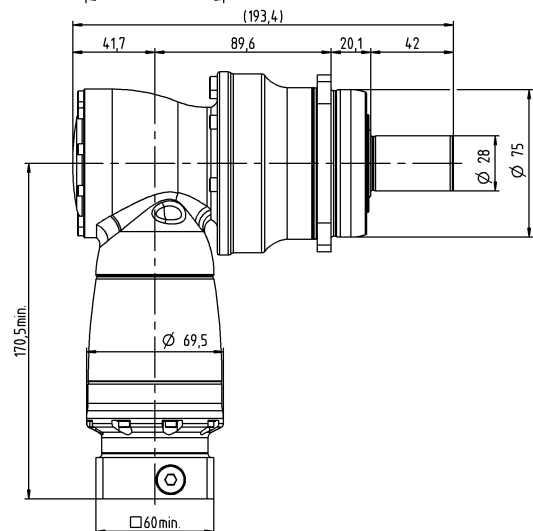
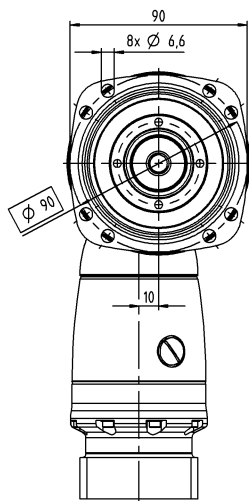
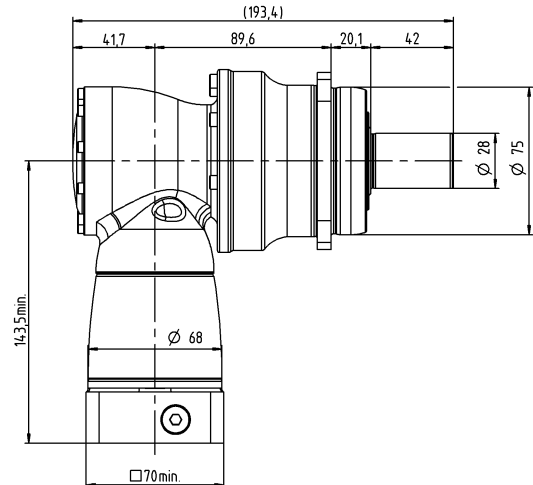
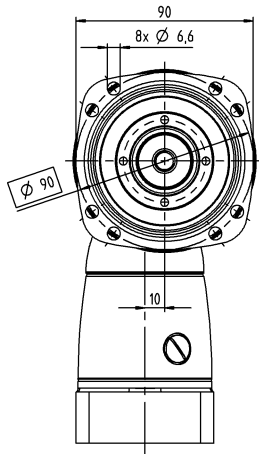
XPK+ 020 MF 2-/3-stage

			2-stage	3-stage
Ratio	i		12 / 16 / 20 / 25 / 28 / 35 / 40 / 50 / 70 / 100	64 / 84 / 100 / 125 / 140 / 175 / 200 / 250 / 280 / 350 / 400 / 500 / 700 / 1000
Max. torque ^{a)}	T_{2a}	<i>Nm</i>	80 – 240	80 – 240
		<i>in.lb</i>	708 – 2124	708 – 2124
Max. acceleration torque (max. 1000 cycles per hour)	T_{2B}	<i>Nm</i>	80 – 180	80 – 180
		<i>in.lb</i>	708 – 1593	708 – 1593
Nominal torque (at n_n)	T_{2N}	<i>Nm</i>	60 – 75	60 – 90
		<i>in.lb</i>	531 – 664	531 – 797
Emergency stop torque (permitted 1000 times during the service life of the gearbox)	T_{2Not}	<i>Nm</i>	160 – 350	160 – 350
		<i>in.lb</i>	1416 – 3098	1416 – 3098
Thermal speed limit (with 20°C ambient temperature and 10% torque utilization) ^{b)}	n_{IT}	<i>rpm</i>	3000 – 3800	5000 – 5500
Max. input speed	n_{1Max}	<i>rpm</i>	7500	6000
Max. torsional backlash	j_t	<i>arcmin</i>	Standard ≤ 5 / Reduced ≤ 3	Standard ≤ 5 / Reduced ≤ 3
Torsional rigidity	C_{t21}	<i>Nm/arcmin</i>	12 – 14	11 – 15
		<i>in.lb/arcmin</i>	106 – 124	97 – 133
Max. tilting moment	M_{2KMax}	<i>Nm</i>	675	675
		<i>in.lb</i>	5974	5974
Operating noise ^{c)}	L_{PA}	<i>dB(A)</i>	≤ 66	≤ 66
Lubrication			Lubricated for life	Lubricated for life
Clamping hub diameter		<i>mm</i>	14 – 19	11 – 14

^{a)} Application-specific design with cymex® – www.wittenstein-cymex.com

^{b)} For higher ambient temperatures, please reduce input speed

^{c)} At reference ratio and reference speed. Ratio-specific values available in cymex®.



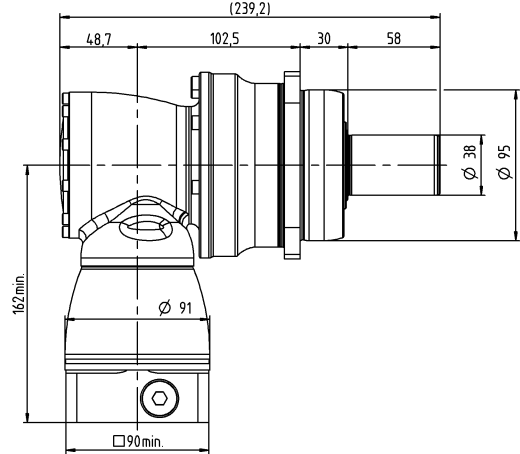
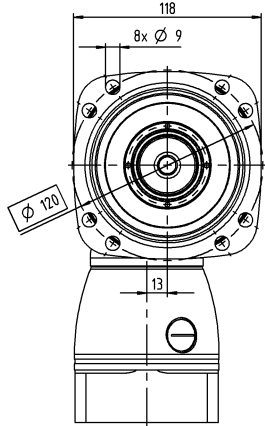
			2-stage	3-stage
Ratio	i		12 / 16 / 20 / 25 / 28 / 35 / 40 / 50 / 70 / 100	64 / 84 / 100 / 125 / 140 / 175 / 200 / 250 / 280 / 350 / 400 / 500 / 700 / 1000
Max. torque ^{a)}	T_{2a}	Nm	200 – 470	200 – 470
		in.lb	1770 – 4160	1770 – 4160
Max. acceleration torque (max. 1000 cycles per hour)	T_{2B}	Nm	200 – 420	200 – 420
		in.lb	1770 – 3717	1770 – 3717
Nominal torque (at n_n)	T_{2N}	Nm	120 – 170	120 – 210
		in.lb	1062 – 1505	1062 – 1859
Emergency stop torque (permitted 1000 times during the service life of the gearbox)	T_{2Not}	Nm	380 – 781	380 – 781
		in.lb	3363 – 6912	3363 – 6912
Thermal speed limit (with 20°C ambient temperature and 10% torque utilization) ^{b)}	n_{TT}	rpm	3000 – 3800	4500
Max. input speed	n_{1Max}	rpm	7500	6000
Max. torsional backlash	j_t	arcmin	Standard ≤ 4 / Reduced ≤ 2	Standard ≤ 4 / Reduced ≤ 2
Torsional rigidity	C_{t21}	Nm/arcmin	29 – 36	29 – 36
		in.lb/arcmin	257 – 319	257 – 319
Max. tilting moment	M_{2KMax}	Nm	1296	1296
		in.lb	11471	11471
Operating noise ^{c)}	L_{PA}	dB(A)	≤ 68	≤ 68
Lubrication			Lubricated for life	Lubricated for life
Clamping hub diameter		mm	19 – 28	14 – 19

^{a)} Application-specific design with cymex® – www.wittenstein-cymex.com

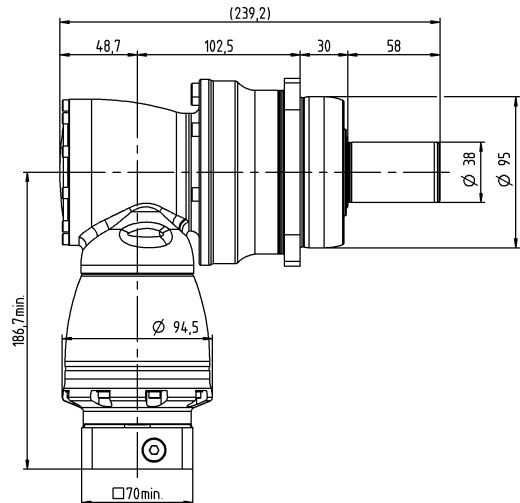
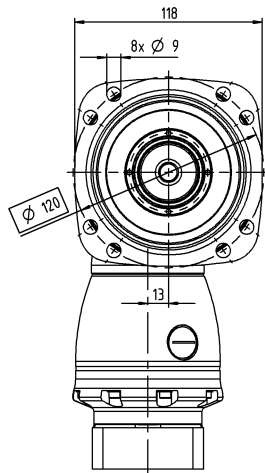
^{b)} For higher ambient temperatures, please reduce input speed

^{c)} At reference ratio and reference speed. Ratio-specific values available in cymex®.

2-stage



3-stage



XPK+ 040 MF 2-/3-stage

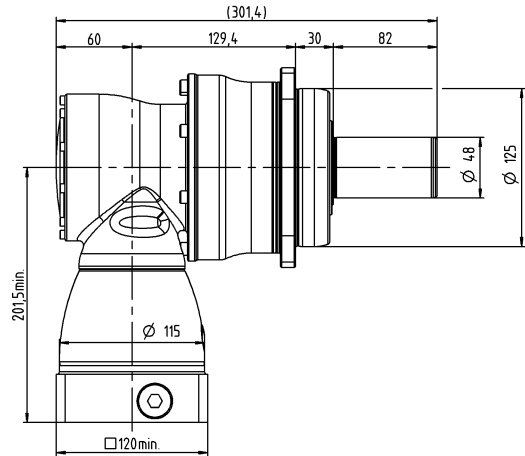
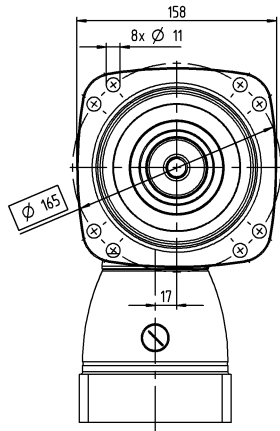
			2-stage	3-stage
Ratio	i		12 / 16 / 20 / 25 / 28 / 35 / 40 / 50 / 70 / 100	64 / 84 / 100 / 125 / 140 / 175 / 200 / 250 / 280 / 350 / 400 / 500 / 700 / 1000
Max. torque ^{a)}	T_{2a}	Nm	500 – 1020	500 – 1020
		$in.lb$	4425 – 9028	4425 – 9028
Max. acceleration torque (max. 1000 cycles per hour)	T_{2B}	Nm	500 – 850	500 – 850
		$in.lb$	4425 – 7523	4425 – 7523
Nominal torque (at n_n)	T_{2N}	Nm	240 – 370	240 – 400
		$in.lb$	2124 – 3275	2124 – 3540
Emergency stop torque (permitted 1000 times during the service life of the gearbox)	T_{2Not}	Nm	880 – 1820	880 – 1820
		$in.lb$	7789 – 16108	7789 – 16108
Thermal speed limit (with 20°C ambient temperature and 10% torque utilization) ^{b)}	n_{1T}	rpm	2700 – 3500	4000 – 4200
Max. input speed	n_{1Max}	rpm	5500	4500
Max. torsional backlash	j_t	$arcmin$	Standard ≤ 4 / Reduced ≤ 2	Standard ≤ 4 / Reduced ≤ 2
Torsional rigidity	C_{t21}	$Nm/arcmin$	60 – 77	60 – 77
		$in.lb/arcmin$	531 – 682	531 – 682
Max. tilting moment	M_{2KMax}	Nm	1635	1635
		$in.lb$	14471	14471
Operating noise ^{c)}	L_{PA}	$dB(A)$	≤ 70	≤ 70
Lubrication			Lubricated for life	Lubricated for life
Clamping hub diameter		mm	28 – 38	19 – 24

^{a)} Application-specific design with cymex® – www.wittenstein-cymex.com

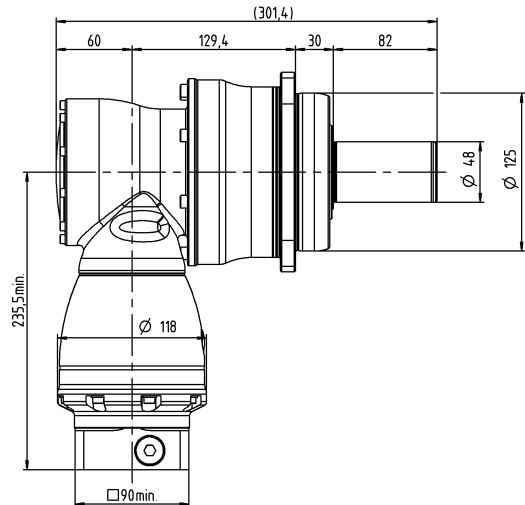
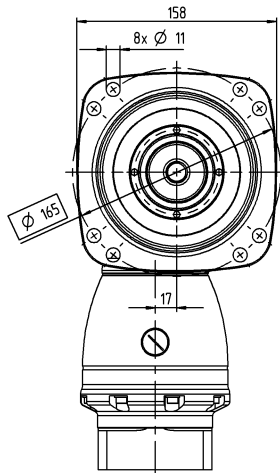
^{b)} For higher ambient temperatures, please reduce input speed

^{c)} At reference ratio and reference speed. Ratio-specific values available in cymex®.

2-stage



3-stage



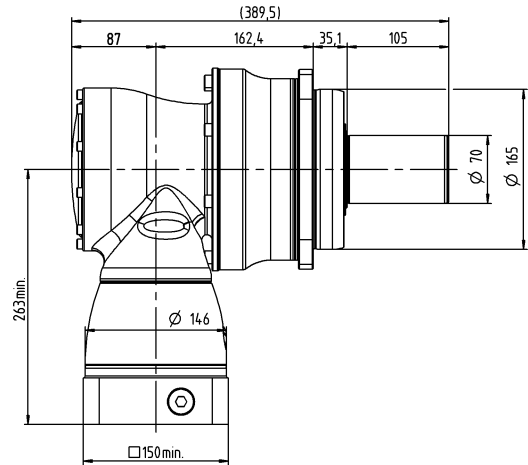
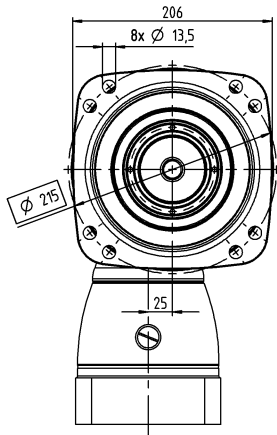
			2-stage	3-stage
Ratio	i		12 / 16 / 20 / 25 / 28 / 35 / 40 / 50 / 70 / 100	64 / 84 / 100 / 125 / 140 / 175 / 200 / 250 / 280 / 350 / 400 / 500 / 700 / 1000
Max. torque ^{a)}	T_{2a}	Nm	840 – 2520	840 – 2520
		in.lb	7435 – 22304	7435 – 22304
Max. acceleration torque (max. 1000 cycles per hour)	T_{2B}	Nm	840 – 2100	840 – 2100
		in.lb	7435 – 18587	7435 – 18587
Nominal torque (at n_n)	T_{2N}	Nm	640 – 750	640 – 1250
		in.lb	5665 – 6638	5665 – 11064
Emergency stop torque (permitted 1000 times during the service life of the gearbox)	T_{2Not}	Nm	1600 – 3505	1600 – 3505
		in.lb	14161 – 31022	14161 – 31022
Thermal speed limit (with 20°C ambient temperature and 10% torque utilization) ^{b)}	n_{TT}	rpm	2300 – 3000	4000 – 4200
Max. input speed	n_{1Max}	rpm	5000	4500
Max. torsional backlash	j_t	arcmin	Standard ≤ 4 / Reduced ≤ 2	Standard ≤ 4 / Reduced ≤ 2
Torsional rigidity	C_{t21}	Nm/arcmin	176 – 224	176 – 226
		in.lb/arcmin	1558 – 1983	1558 – 2000
Max. tilting moment	M_{2KMax}	Nm	3256	3256
		in.lb	28818	28818
Operating noise ^{c)}	L_{PA}	dB(A)	≤ 71	≤ 70
Lubrication			Lubricated for life	Lubricated for life
Clamping hub diameter		mm	38	24 – 38

^{a)} Application-specific design with cymex® – www.wittenstein-cymex.com

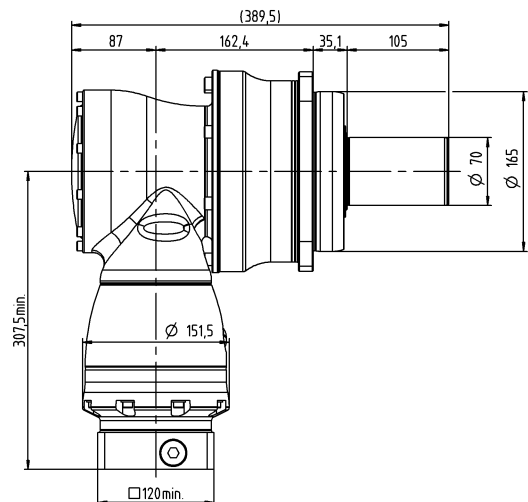
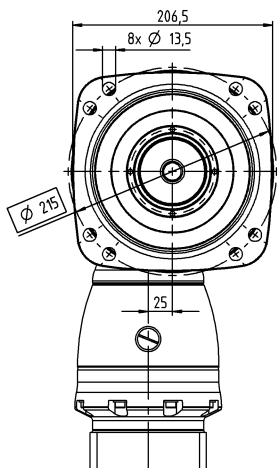
^{b)} For higher ambient temperatures, please reduce input speed

^{c)} At reference ratio and reference speed. Ratio-specific values available in cymex®.

2-stage



3-stage



RPK+ 040 MA 3-/4-stage

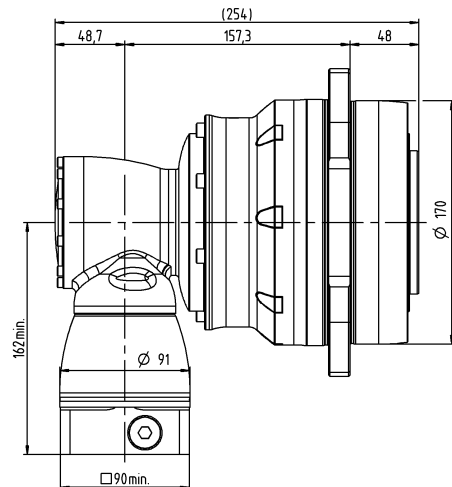
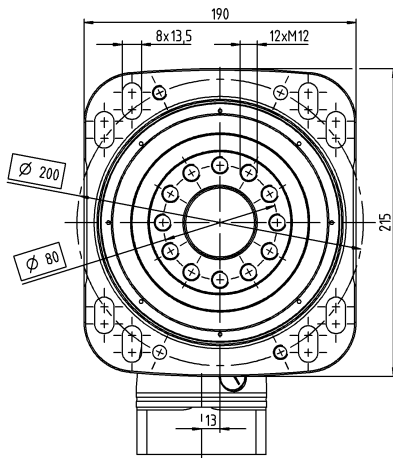
			3-stage	4-stage
Ratio	i		48 / 66 / 88 / 110 / 137.5 / 154 / 220 / 385	330 / 462 / 577.5 / 770 / 1078 / 1540 / 2695 / 3850 / 5500
Max. torque ^{a)}	T_{2a}	<i>Nm</i>	1100 – 1402	1402
		<i>in.lb</i>	9736 – 12409	12409
Max. acceleration torque (max. 1000 cycles per hour)	T_{2B}	<i>Nm</i>	950	950
		<i>in.lb</i>	8408	8408
Nominal torque (at n_n)	T_{2N}	<i>Nm</i>	675	675
		<i>in.lb</i>	5974	5974
Emergency stop torque (permitted 1000 times during the service life of the gearbox)	T_{2Not}	<i>Nm</i>	1520 – 2613	2090 – 2613
		<i>in.lb</i>	13453 – 23127	18498 – 23127
Thermal speed limit (with 20°C ambient temperature and 10% torque utilization) ^{b)}	n_{1T}	<i>rpm</i>	2800 – 3800	4300 – 4400
Max. input speed	n_{1Max}	<i>rpm</i>	7500	6000
Max. torsional backlash	j_t	<i>arcmin</i>	Standard $\leq 1,3$	Standard $\leq 1,3$
Torsional rigidity	C_{t21}	<i>Nm/arcmin</i>	202 – 215	202 – 217
		<i>in.lb/arcmin</i>	1788 – 1903	1788 – 1921
Max. tilting moment	M_{2KMax}	<i>Nm</i>	3600	3600
		<i>in.lb</i>	31863	31863
Operating noise ^{c)}	L_{PA}	<i>dB(A)</i>	≤ 68	≤ 68
Lubrication			Lubricated for life	Lubricated for life
Clamping hub diameter		<i>mm</i>	19 – 28	14 – 19

^{a)} Application-specific design with cymex® – www.wittenstein-cymex.com

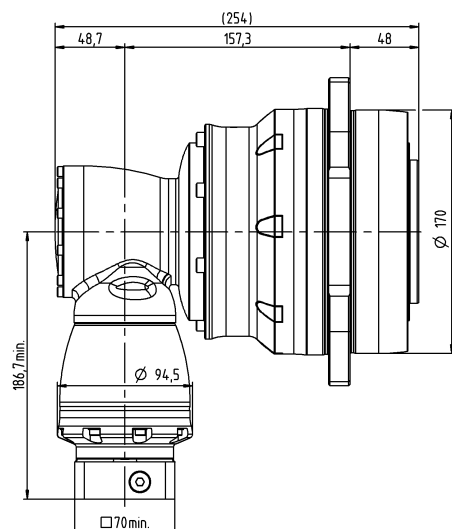
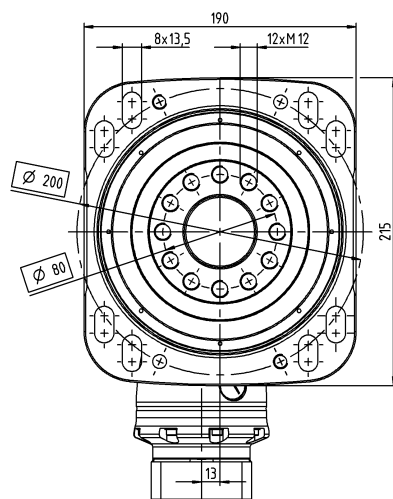
^{b)} For higher ambient temperatures, please reduce input speed

^{c)} At reference ratio and reference speed. Ratio-specific values available in cymex®.

3-stage



4-stage



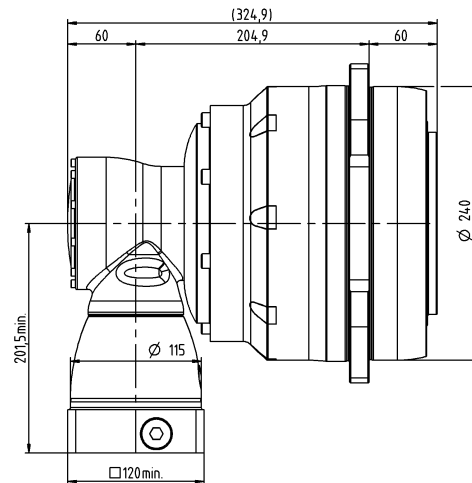
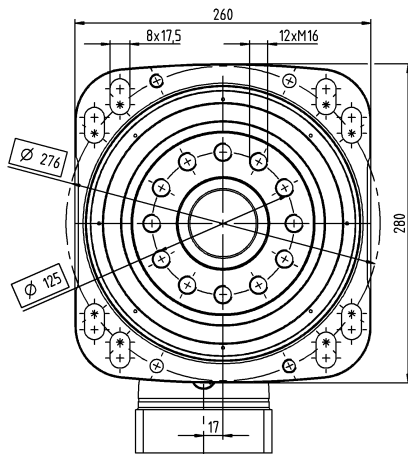
			3-stage	4-stage
Ratio	i		48 / 66 / 88 / 110 / 137.5 / 154 / 220 / 385	330 / 462 / 577.5 / 770 / 1078 / 1540 / 2695 / 3850 / 5500
Max. torque ^{a)}	T_{2a}	Nm	2750 – 3822	3200 – 3822
		in.lb	24340 – 33828	28323 – 33828
Max. acceleration torque (max. 1000 cycles per hour)	T_{2B}	Nm	2720 – 3100	2000 – 3100
		in.lb	24074 – 27437	17702 – 27437
Nominal torque (at n_n)	T_{2N}	Nm	1600 – 1650	1400 – 1650
		in.lb	14161 – 14604	12391 – 14604
Emergency stop torque (permitted 1000 times during the service life of the gearbox)	T_{2Not}	Nm	3520 – 7150	4840 – 7150
		in.lb	31155 – 63283	42838 – 63283
Thermal speed limit (with 20°C ambient temperature and 10% torque utilization) ^{b)}	n_{1T}	rpm	2800 – 3600	3800 – 4100
Max. input speed	n_{1Max}	rpm	5500	4500
Max. torsional backlash	j_t	arcmin	Standard $\leq 1,3$	Standard $\leq 1,3$
Torsional rigidity	C_{21}	Nm/arcmin	634 – 687	634 – 689
		in.lb/arcmin	5611 – 6080	5611 – 6098
Max. tilting moment	M_{2KMax}	Nm	11000	11000
		in.lb	97359	97359
Operating noise ^{c)}	L_{PA}	dB(A)	≤ 70	≤ 70
Lubrication			Lubricated for life	Lubricated for life
Clamping hub diameter		mm	28 – 38	19 – 24

^{a)} Application-specific design with cymex® – www.wittenstein-cymex.com

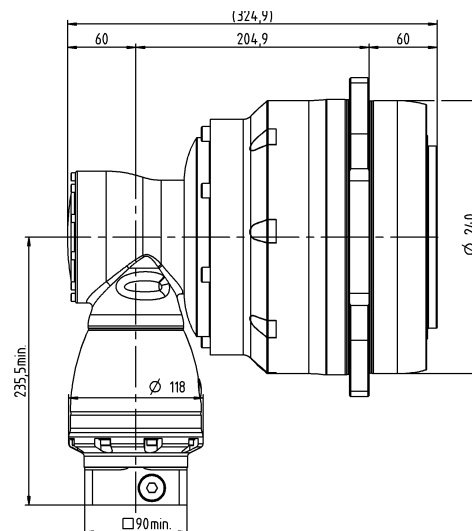
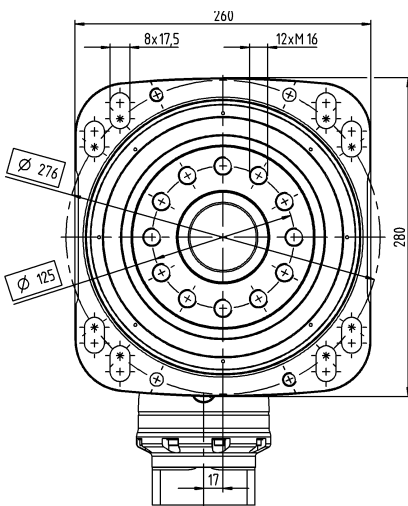
^{b)} For higher ambient temperatures, please reduce input speed

^{c)} At reference ratio and reference speed. Ratio-specific values available in cymex®.

3-stage



4-stage



RPK+ 060 MA 3-/4-stage

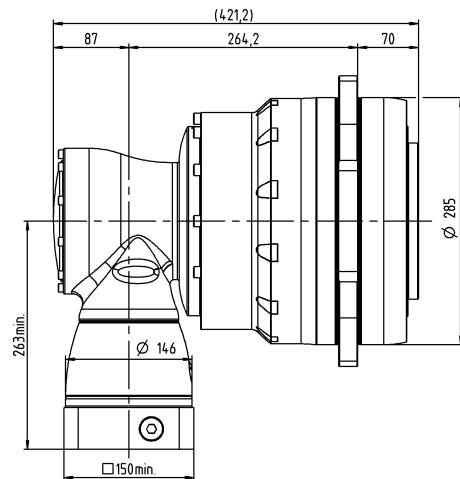
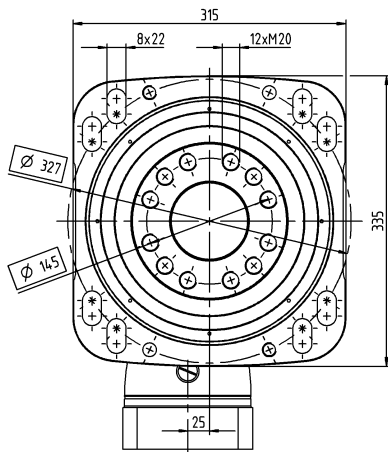
			3-stage	4-stage
Ratio	i		66 / 88 / 110 / 137.5 / 154 / 220 / 385	330 / 462 / 577.5 / 770 / 1078 / 1540 / 2695 / 3850 / 5500
Max. torque ^{a)}	T_{2a}	Nm	4620 – 7535	6240 – 7535
		in.lb	40891 – 66691	55229 – 66691
Max. acceleration torque (max. 1000 cycles per hour)	T_{2B}	Nm	4620 – 5500	3900 – 5500
		in.lb	30978 – 48679	34518 – 48679
Nominal torque (at n_n)	T_{2N}	Nm	3500	3500
		in.lb	30978	30978
Emergency stop torque (permitted 1000 times during the service life of the gearbox)	T_{2Not}	Nm	8800 – 14575	8800 – 14575
		in.lb	77887 – 129000	77887 – 129000
Thermal speed limit (with 20°C ambient temperature and 10% torque utilization) ^{b)}	n_{IT}	rpm	2300 – 2900	3800 – 4000
Max. input speed	n_{1Max}	rpm	5000	4500
Max. torsional backlash	j_t	arcmin	Standard $\leq 1,8$	Standard $\leq 1,8$
Torsional rigidity	C_{t21}	Nm/arcmin	960 – 1114	953 – 1099
		in.lb/arcmin	8497 – 9860	8435 – 9727
Max. tilting moment	M_{2KMax}	Nm	21000	21000
		in.lb	185867	185867
Operating noise ^{c)}	L_{PA}	dB(A)	≤ 71	≤ 71
Lubrication			Lubricated for life	Lubricated for life
Clamping hub diameter		mm	38	24 – 38

^{a)} Application-specific design with cymex® – www.wittenstein-cymex.com

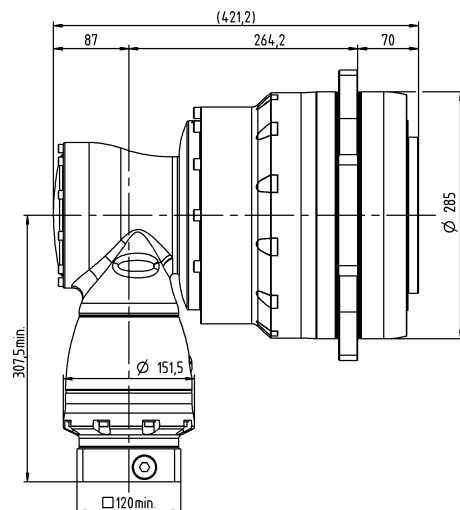
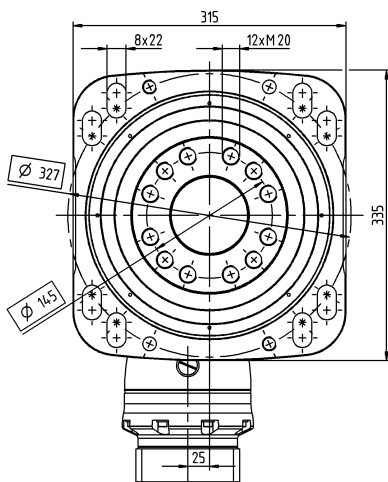
^{b)} For higher ambient temperatures, please reduce input speed

^{c)} At reference ratio and reference speed. Ratio-specific values available in cymex®.

3-stage



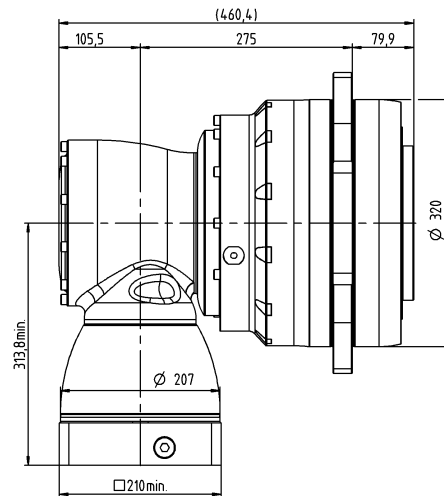
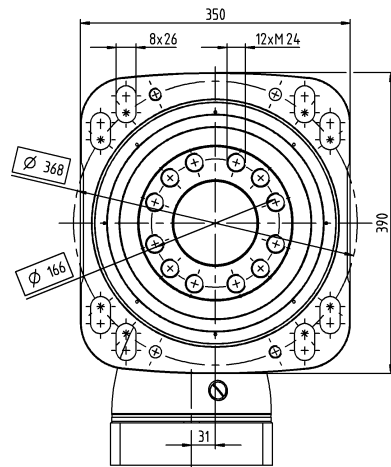
4-stage



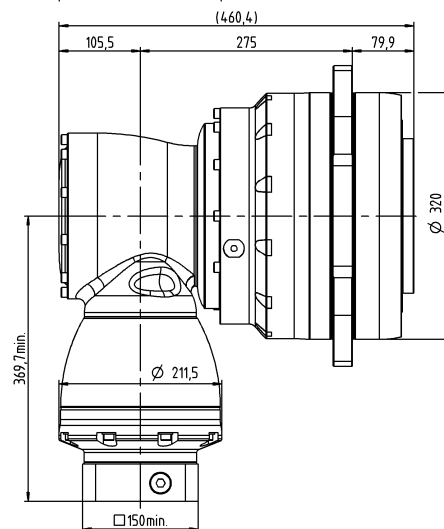
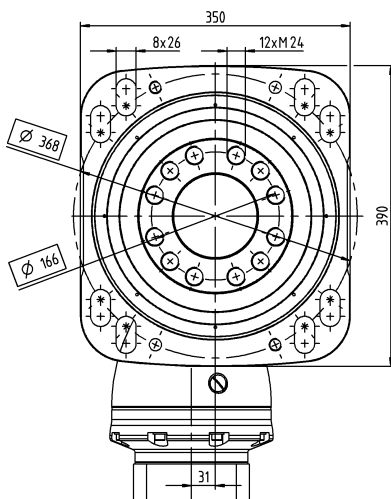
			3-stage	4-stage
Ratio	i		66 / 88 / 110 / 137.5 / 154 / 220 / 385	330 / 462 / 577.5 / 770 / 1078 / 1540 / 2695 / 3850 / 5500
Max. torque ^{a)}	T_{2a}	Nm	10340 – 10450	10450
		in.lb	91517 – 92491	92491
Max. acceleration torque (max. 1000 cycles per hour)	T_{2B}	Nm	10000	7200 – 10000
		in.lb	88508	63726 – 88508
Nominal torque (at n_n)	T_{2N}	Nm	5400	5400
		in.lb	47794	47794
Emergency stop torque (permitted 1000 times during the service life of the gearbox)	T_{2Not}	Nm	19800 – 25000	19800 – 25000
		in.lb	175246 – 221270	175246 – 221270
Thermal speed limit (with 20°C ambient temperature and 10% torque utilization) ^{b)}	n_{TT}	rpm	1800 – 3100	3300 – 3600
Max. input speed	n_{rMax}	rpm	4500	4000
Max. torsional backlash	j_t	arcmin	Standard $\leq 1,8$	Standard $\leq 1,8$
Torsional rigidity	C_{t21}	Nm/arcmin	1747 – 1901	1735 – 1879
		in.lb/arcmin	15462 – 16825	15356 – 16631
Max. tilting moment	M_{2KMax}	Nm	34000	34000
		in.lb	300927	300927
Operating noise ^{c)}	L_{PA}	dB(A)	≤ 71	≤ 71
Lubrication			Lubricated for life	Lubricated for life
Clamping hub diameter		mm	48	38 – 48

^{a)} Application-specific design with cymex® – www.wittenstein-cymex.com
^{b)} For higher ambient temperatures, please reduce input speed
^{c)} At reference ratio and reference speed. Ratio-specific values available in cymex®.

3-stage



4-stage





Compact and powerful
XPC⁺ and RPC⁺

bevel gearboxes



XPC+ / RPC+ – High precision and low ratios around the corner



New performance standard, also available in the bevel version

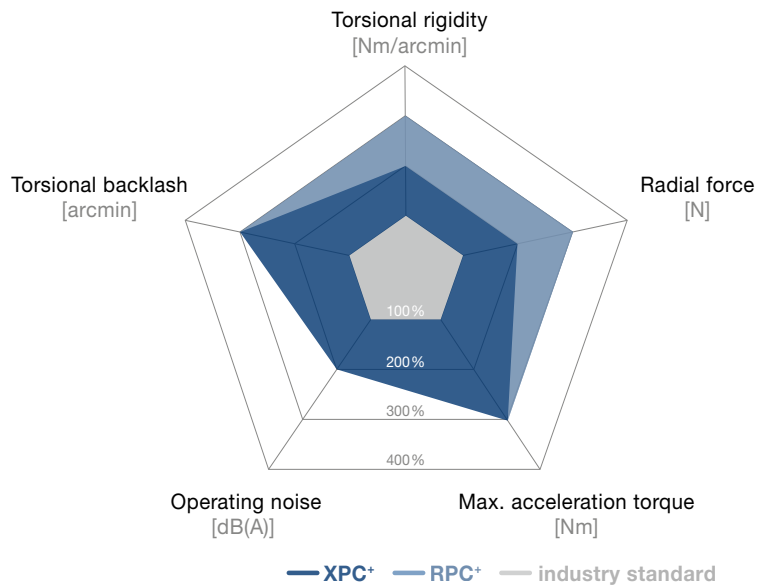
Both the XP+ and RP+ Premium planetary gearboxes are now available in a right-angle version with bevel toothing. Bevel gearboxes are primarily characterized by low gear ratios (ratio 1 and 2) in the angle section. Consequently, right-angle and planetary gearbox combinations can achieve the same low ratios as planetary gearboxes. The product design has a positive influence on temperature development in the gearbox and reduces overall heat development in the system as a result. The overall system achieves a higher degree of positioning accuracy as a consequence.

XPC+ and RPC+ compared to industry standard

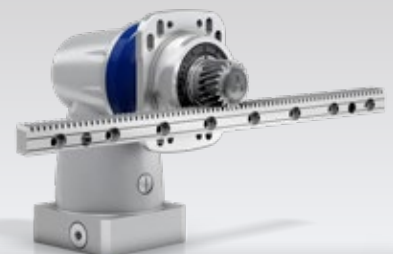
Product highlights

Max. torsional backlash
 XPC+ ≤ 4 arcmin (Standard)
 ≤ 2 arcmin (Reduced)
 RPC+ ≤ 1.3 arcmin

XPC+ and RPC+:
 Low ratios of $i = 4 - 88$ possible
 Optimized temperature distribution, even at high speeds
 High tilting moments and torsional rigidity
 Optimized for rack and pinion applications
 Multiple output configurations for greater flexibility
 Smooth shaft, shaft with key, splined shaft (DIN 5480), blind hollow shaft, flange, System output



XPC+ with pinion and slots



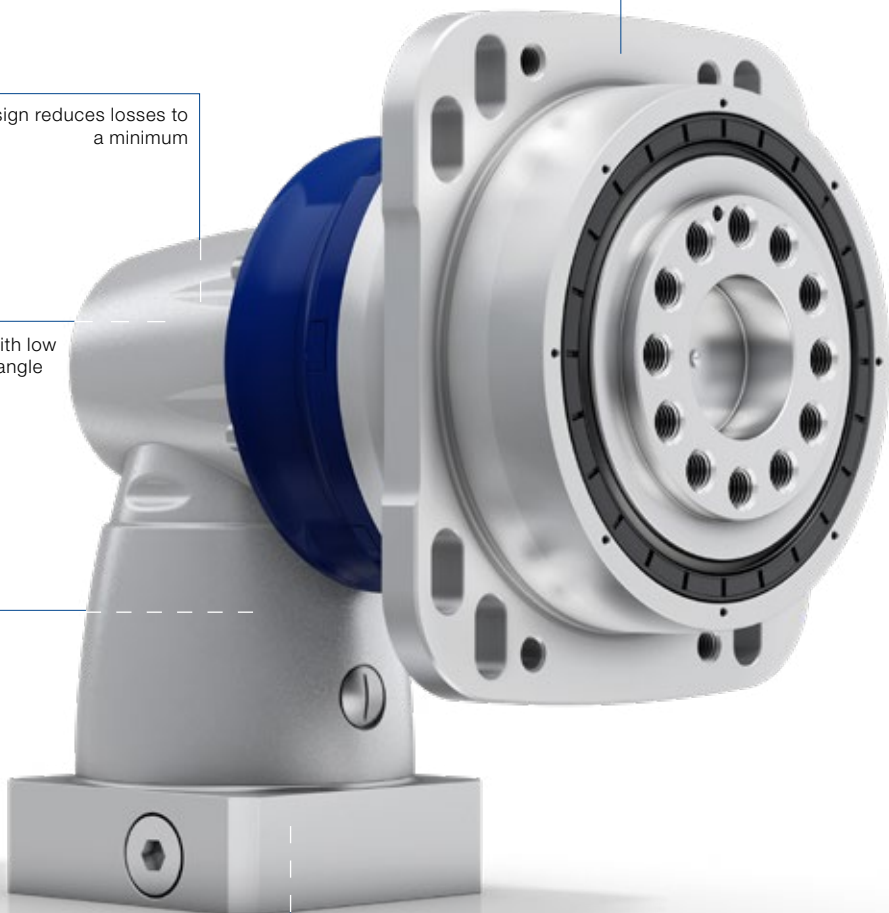
XPC+ with pinion, slots and rack

Specially designed output for transmitting extremely high torques

Intelligent design reduces losses to a minimum

High-quality bevel toothing with low gear ratios of $i = 1 - 2$ in the angle section

Low temperature development, even at high speeds



RPC+

Metal bellows coupling incorporated for thermal length compensation and protection of the motor bearing



RPC+ with pinion and slots



RPC+ with pinion, slots and rack

XPC+ 010 MF 2-stage

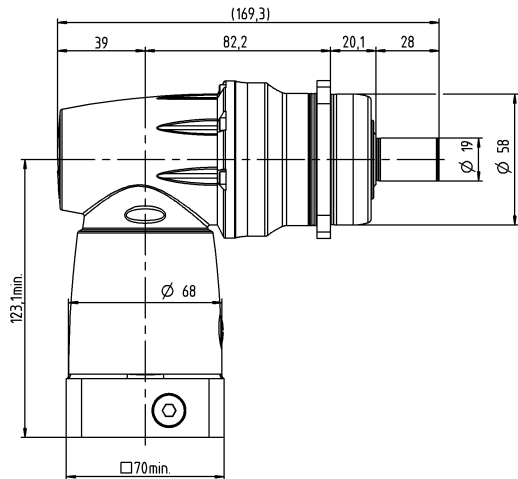
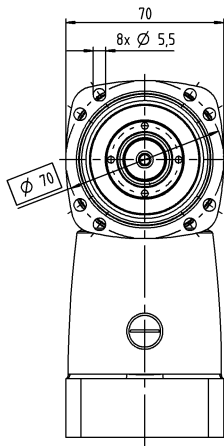
			2-stage
Ratio	i		4 / 5 / 7 / 8 / 10 / 14 / 20
Max. torque ^{a)}	T_{2a}	Nm	48 – 84
		in.lb	425 – 743
Max. acceleration torque (max. 1000 cycles per hour)	T_{2B}	Nm	40 – 70
		in.lb	354 – 620
Nominal torque (at n_n)	T_{2N}	Nm	27 – 28
		in.lb	239 – 248
Emergency stop torque (permitted 1000 times during the service life of the gearbox)	T_{2Not}	Nm	100 – 165
		in.lb	885 – 1460
Thermal speed limit (with 20°C ambient temperature and 10% torque utilization) ^{b)}	n_{1T}	rpm	3300 – 3750
Max. input speed	n_{1Max}	rpm	6000
Max. torsional backlash	j_t	arcmin	Standard ≤ 5 / Reduced ≤ 3
Torsional rigidity	C_{t21}	Nm/arcmin	3.1 – 5,5
		in.lb/arcmin	27 – 49
Max. tilting moment	M_{2KMax}	Nm	339
		in.lb	3000
Operating noise ^{c)}	L_{PA}	dB(A)	≤ 68
Lubrication			Lubricated for life
Clamping hub diameter		mm	14 – 19

^{a)} Application-specific design with cymex® – www.wittenstein-cymex.com

^{b)} For higher ambient temperatures, please reduce input speed

^{c)} At reference ratio and reference speed. Ratio-specific values available in cymex®.

2-stage



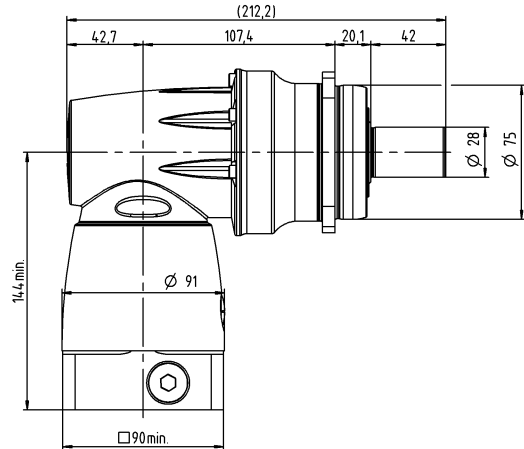
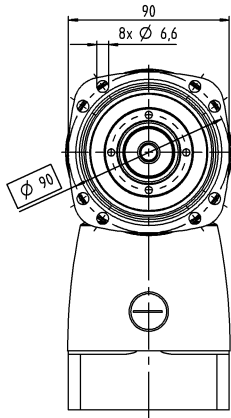
			2-stage
Ratio	i	4 / 5 / 7 / 8 / 10 / 14 / 20	
Max. torque ^{a)}	T_{2a}	<i>Nm</i>	144 – 240
		<i>in.lb</i>	1275 – 2124
Max. acceleration torque (max. 1000 cycles per hour)	T_{2B}	<i>Nm</i>	120 – 180
		<i>in.lb</i>	1062 – 1593
Nominal torque (at n_n)	T_{2N}	<i>Nm</i>	60 – 75
		<i>in.lb</i>	531 – 664
Emergency stop torque (permitted 1000 times during the service life of the gearbox)	T_{2Not}	<i>Nm</i>	192 – 418
		<i>in.lb</i>	1699 – 3700
Thermal speed limit (with 20°C ambient temperature and 10% torque utilization) ^{b)}	n_{TT}	<i>rpm</i>	2600 – 3050
Max. input speed	n_{1Max}	<i>rpm</i>	6000
Max. torsional backlash	j_t	<i>arcmin</i>	Standard ≤ 4 / Reduced ≤ 2
Torsional rigidity	C_{t21}	<i>Nm/arcmin</i>	9.1 – 14
		<i>in.lb/arcmin</i>	81 – 124
Max. tilting moment	M_{2KMax}	<i>Nm</i>	675
		<i>in.lb</i>	5974
Operating noise ^{c)}	L_{PA}	<i>dB(A)</i>	≤ 68
Lubrication			Lubricated for life
Clamping hub diameter		<i>mm</i>	19 – 28

^{a)} Application-specific design with cymex® – www.wittenstein-cymex.com

^{b)} For higher ambient temperatures, please reduce input speed

^{c)} At reference ratio and reference speed. Ratio-specific values available in cymex®.

2-stage



XPC+ 030 MF 2-stage

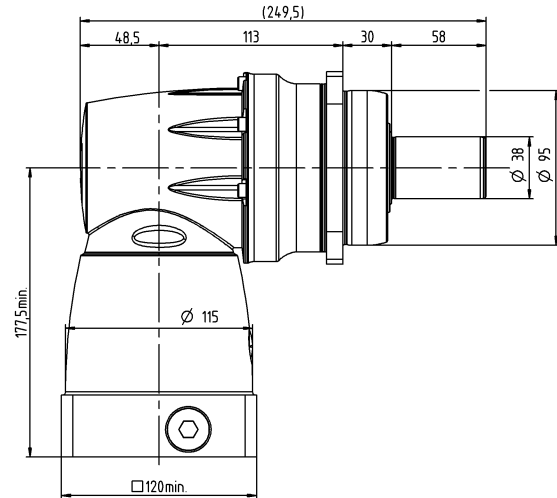
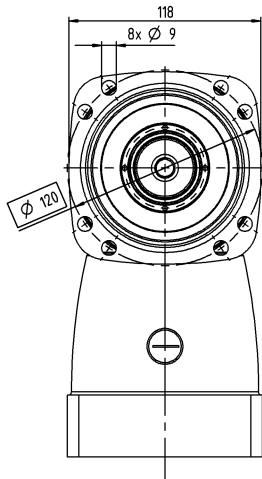
			2-stage
Ratio	i		4 / 5 / 7 / 8 / 10 / 14 / 20
Max. torque ^{a)}	T_{2a}	Nm	389 – 486
		$in.lb$	3443 – 4301
Max. acceleration torque (max. 1000 cycles per hour)	T_{2B}	Nm	320 – 420
		$in.lb$	2832 – 3717
Nominal torque (at n_n)	T_{2N}	Nm	120 – 180
		$in.lb$	1062 – 1593
Emergency stop torque (permitted 1000 times during the service life of the gearbox)	T_{2Not}	Nm	540 – 800
		$in.lb$	4779 – 7081
Thermal speed limit (with 20°C ambient temperature and 10% torque utilization) ^{b)}	n_{1T}	rpm	2100 – 2750
Max. input speed	n_{1Max}	rpm	4500
Max. torsional backlash	j_t	$arcmin$	Standard ≤ 4 / Reduced ≤ 2
Torsional rigidity	C_{t21}	$Nm/arcmin$	23 – 36
		$in.lb/arcmin$	204 – 319
Max. tilting moment	M_{2KMax}	Nm	1296
		$in.lb$	11471
Operating noise ^{c)}	L_{PA}	$dB(A)$	≤ 68
Lubrication			Lubricated for life
Clamping hub diameter		mm	28 – 38

^{a)} Application-specific design with cymex® – www.wittenstein-cymex.com

^{b)} For higher ambient temperatures, please reduce input speed

^{c)} At reference ratio and reference speed. Ratio-specific values available in cymex®.

2-stage



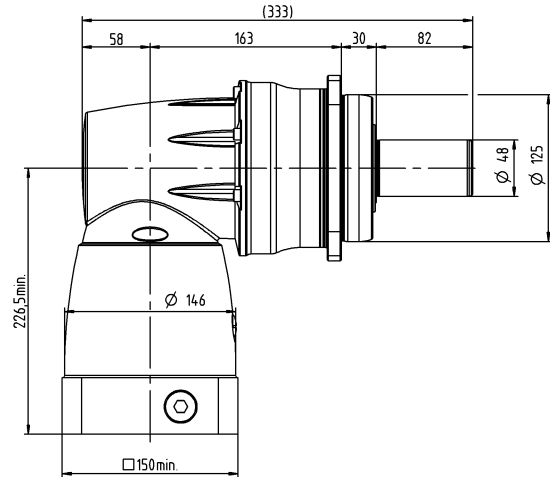
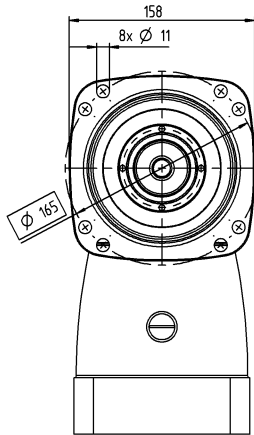
			2-stage
Ratio	<i>i</i>		4 / 5 / 7 / 8 / 10 / 14 / 20
Max. torque ^{a)}	T_{2a}	<i>Nm</i>	792 – 1050
		<i>in.lb</i>	7010 – 9293
Max. acceleration torque (max. 1000 cycles per hour)	T_{2B}	<i>Nm</i>	700 – 875
		<i>in.lb</i>	6196 – 7744
Nominal torque (at n_n)	T_{2N}	<i>Nm</i>	240 – 370
		<i>in.lb</i>	2124 – 3275
Emergency stop torque (permitted 1000 times during the service life of the gearbox)	T_{2Not}	<i>Nm</i>	960 – 2170
		<i>in.lb</i>	8497 – 19206
Thermal speed limit (with 20°C ambient temperature and 10% torque utilization) ^{b)}	n_{1T}	<i>rpm</i>	1550 – 1900
Max. input speed	n_{1Max}	<i>rpm</i>	4500
Max. torsional backlash	j_t	<i>arcmin</i>	Standard ≤ 4 / Reduced ≤ 2
Torsional rigidity	C_{t21}	<i>Nm/arcmin</i>	50 – 74
		<i>in.lb/arcmin</i>	443 – 655
Max. tilting moment	M_{2KMax}	<i>Nm</i>	1635
		<i>in.lb</i>	14471
Operating noise ^{c)}	L_{PA}	<i>dB(A)</i>	≤ 70
Lubrication			Lubricated for life
Clamping hub diameter		<i>mm</i>	38

^{a)} Application-specific design with cymex® – www.wittenstein-cymex.com

^{b)} For higher ambient temperatures, please reduce input speed

^{c)} At reference ratio and reference speed. Ratio-specific values available in cymex®.

2-stage



XPC+ 050 MF 2-stage

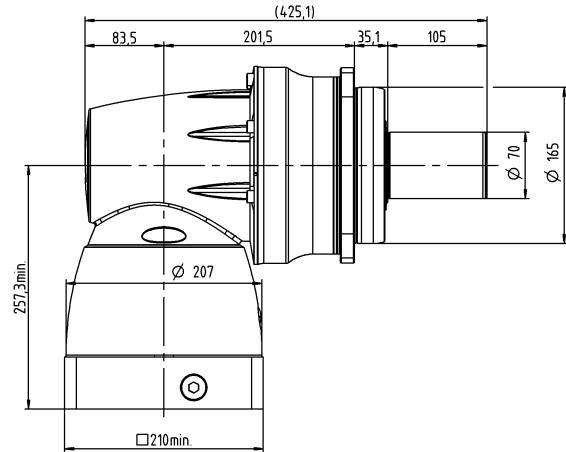
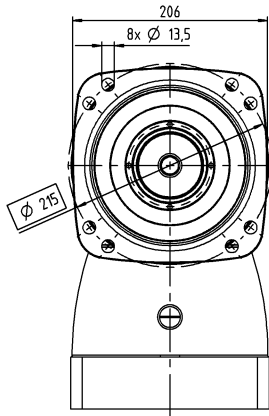
			2-stage
Ratio	i		4 / 5 / 7 / 8 / 10 / 14 / 20
Max. torque ^{a)}	T_{2a}	Nm	1512 – 2646
		$in.lb$	13382 – 23419
Max. acceleration torque (max. 1000 cycles per hour)	T_{2B}	Nm	1260 – 2205
		$in.lb$	11152 – 19516
Nominal torque (at n_n)	T_{2N}	Nm	700 – 750
		$in.lb$	6196 – 6638
Emergency stop torque (permitted 1000 times during the service life of the gearbox)	T_{2Not}	Nm	1560 – 4795
		$in.lb$	13807 – 42440
Thermal speed limit (with 20°C ambient temperature and 10% torque utilization) ^{b)}	n_{1T}	rpm	1050 – 1550
Max. input speed	n_{1Max}	rpm	4000
Max. torsional backlash	j_t	$arcmin$	Standard ≤ 4 / Reduced ≤ 2
Torsional rigidity	C_{t21}	$Nm/arcmin$	127 – 215
		$in.lb/arcmin$	1124 – 1903
Max. tilting moment	M_{2KMax}	Nm	3256
		$in.lb$	28818
Operating noise ^{c)}	L_{PA}	$dB(A)$	≤ 70
Lubrication			Lubricated for life
Clamping hub diameter		mm	48

^{a)} Application-specific design with cymex® – www.wittenstein-cymex.com

^{b)} For higher ambient temperatures, please reduce input speed

^{c)} At reference ratio and reference speed. Ratio-specific values available in cymex®.

2-stage



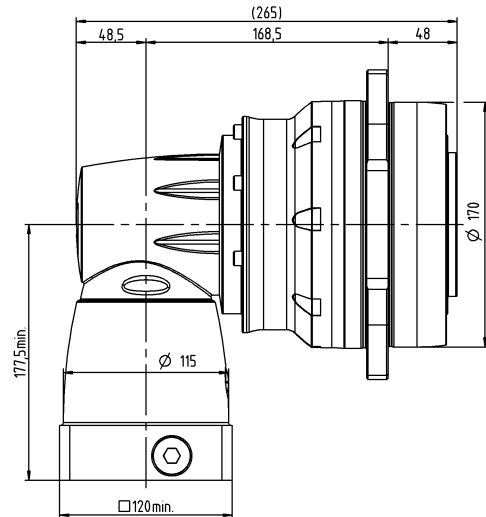
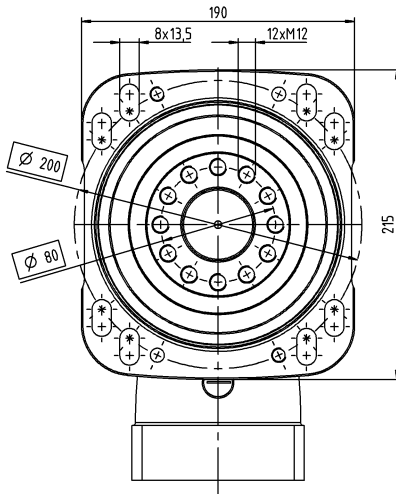
			3-stage
Ratio	i		22 / 27.5 / 38.5 / 44 / 55
Max. torque ^{a)}	T_{2a}	<i>Nm</i>	1402
		<i>in.lb</i>	12409
Max. acceleration torque (max. 1000 cycles per hour)	T_{2Not}	<i>Nm</i>	2613
		<i>in.lb</i>	23127
Nominal torque (at n_n)	T_{2B}	<i>Nm</i>	950
		<i>in.lb</i>	8408
Emergency stop torque (permitted 1000 times during the service life of the gearbox)	T_{2N}	<i>Nm</i>	675
		<i>in.lb</i>	5974
Thermal speed limit (with 20°C ambient temperature and 10% torque utilization) ^{b)}	n_{1T}	<i>rpm</i>	1800 – 2500
Max. input speed	n_{1Max}	<i>rpm</i>	4500
Max. torsional backlash	j_t	<i>arcmin</i>	Standard $\leq 1,3$
Torsional rigidity	C_{t21}	<i>Nm/arcmin</i>	194 – 215
		<i>in.lb/arcmin</i>	1717 – 1903
Max. tilting moment	M_{2KMax}	<i>Nm</i>	3600
		<i>in.lb</i>	31863
Operating noise ^{c)}	L_{PA}	<i>dB(A)</i>	≤ 70
Lubrication			Lubricated for life
Clamping hub diameter		<i>mm</i>	28 – 38

^{a)} Application-specific design with cymex® – www.wittenstein-cymex.com

^{b)} For higher ambient temperatures, please reduce input speed

^{c)} At reference ratio and reference speed. Ratio-specific values available in cymex®.

3-stage



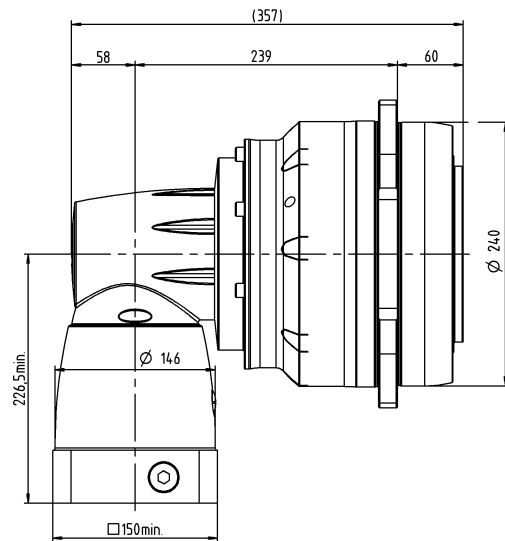
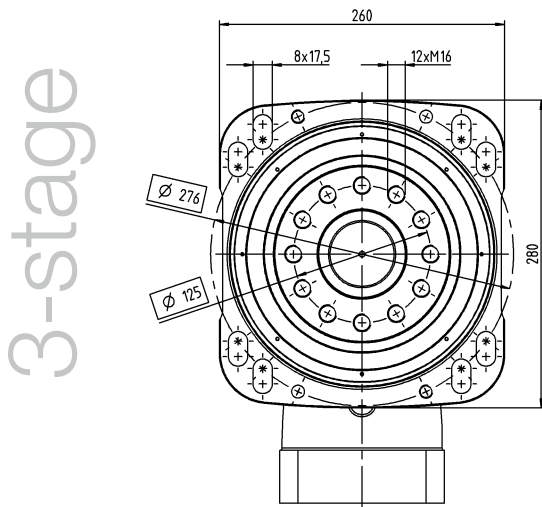
RPC+ 050 MA 3-stage

			3-stage
Ratio	i		22 / 27.5 / 38.5 / 44 / 55
Max. torque ^{a)}	T_{2a}	Nm	3822
		$in.lb$	33828
Max. acceleration torque (max. 1000 cycles per hour)	T_{2B}	Nm	3100
		$in.lb$	27437
Nominal torque (at n_n)	T_{2N}	Nm	1650
		$in.lb$	14604
Emergency stop torque (permitted 1000 times during the service life of the gearbox)	T_{2Not}	Nm	5280 – 7150
		$in.lb$	46732 – 63283
Thermal speed limit (with 20°C ambient temperature and 10% torque utilization ^{b)})	n_{1T}	rpm	1300 – 1700
Max. input speed	n_{1Max}	rpm	4500
Max. torsional backlash	j_t	$arcmin$	Standard $\leq 1,3$
Torsional rigidity	C_{t21}	$Nm/arcmin$	607 – 671
		$in.lb/arcmin$	5372 – 5939
Max. tilting moment	M_{2KMax}	Nm	11000
		$in.lb$	97359
Operating noise ^{c)}	L_{PA}	$dB(A)$	≤ 71
Lubrication			Lubricated for life
Clamping hub diameter		mm	38

^{a)} Application-specific design with cymex® – www.wittenstein-cymex.com

^{b)} For higher ambient temperatures, please reduce input speed

^{c)} At reference ratio and reference speed. Ratio-specific values available in cymex®.



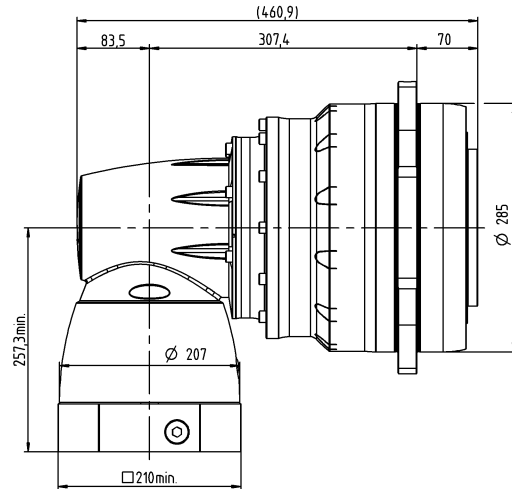
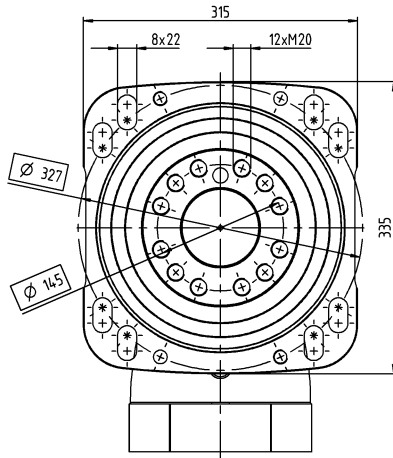
			3-stage
Ratio	i		22 / 27.5 / 38.5 / 44 / 55
Max. torque ^{a)}	T_{2a}	<i>Nm</i>	7535
		<i>in.lb</i>	66691
Max. acceleration torque (max. 1000 cycles per hour)	T_{2B}	<i>Nm</i>	5500
		<i>in.lb</i>	48679
Nominal torque (at n_n)	T_{2N}	<i>Nm</i>	3500
		<i>in.lb</i>	30978
Emergency stop torque (permitted 1000 times during the service life of the gearbox)	T_{2Not}	<i>Nm</i>	8580 – 14575
		<i>in.lb</i>	75940 – 129000
Thermal speed limit (with 20°C ambient temperature and 10% torque utilization) ^{b)}	n_{TT}	<i>rpm</i>	850 – 1350
Max. input speed	n_{rMax}	<i>rpm</i>	4000
Max. torsional backlash	j_t	<i>arcmin</i>	Standard $\leq 1,8$
Torsional rigidity	C_{t21}	<i>Nm/arcmin</i>	1039 – 1171
		<i>in.lb/arcmin</i>	9196 – 10364
Max. tilting moment	M_{2KMax}	<i>Nm</i>	21000
		<i>in.lb</i>	185867
Operating noise ^{c)}	L_{PA}	<i>dB(A)</i>	≤ 71
Lubrication			Lubricated for life
Clamping hub diameter		<i>mm</i>	48

^{a)} Application-specific design with cymex® – www.wittenstein-cymex.com

^{b)} For higher ambient temperatures, please reduce input speed

^{c)} At reference ratio and reference speed. Ratio-specific values available in cymex®.

3-stage



Basic Line gearbox overview



Product type		CP	CPS	CPK	CPSK	CVH	CVS
Version		MF	MF	MF	MF	MF / MT	MF / MT
Ratio ^{c)}	min. $i =$	3	3	3	3	7	7
	max. $i =$	100	100	100	100	40	40
Max. torsional backlash [arcmin] ^{c)}	Standard	≤ 12	≤ 12	≤ 15	≤ 15	≤ 15	≤ 15
	Reduced	–	–	–	–	–	–
Output type							
Smooth shaft		x	x	x	x	–	x
Shaft with key ^{d)}		x	x	x	x	–	x
Splined shaft (DIN 5480)		–	–	–	–	–	–
Blind hollow shaft		–	–	–	–	–	–
Hollow shaft interface		–	–	–	–	x	–
Keyed hollow shaft		–	–	–	–	x	–
Flanged hollow shaft		–	–	–	–	–	–
Flange		–	–	–	–	–	–
System output		–	–	–	–	–	–
Output on both sides		–	–	–	–	x	x
Input type							
Motor-mounted		x	x	x	x	x	x
Self-contained version ^{b)}		–	–	–	–	–	–
Characteristic							
Flange with slotted holes		–	–	–	–	–	–
ATEX ^{a)}		–	–	–	–	–	–
Food-grade lubrication ^{a) b)}		x	x	x	x	x	x
Corrosion resistant ^{a) b)}		–	–	–	–	–	–
Optimized mass inertia ^{a)}		–	–	–	–	–	–
System solutions							
Linear system (rack/pinion)		–	–	–	–	–	–
Servo actuator		–	–	–	–	–	–
Accessories (please refer to the product pages for further options)							
Coupling		x	x	x	x	–	x
Shrink disc		–	–	–	–	x	–

^{a)} Power reduction: technical data available on request

^{b)} Please contact WITTENSTEIN alpha

^{c)} In relation to reference sizes

^{d)} Power reduction: Please use our sizing software cymex[®] for a detailed sizing – www.wittenstein-cymex.com

Value Line gearbox overview



Product type		NP	NPL	NPS	NPT	NPR	NTP	NPK	NPLK	NPSK	NPTK	NPRK	NVH	NVS	HDV
Version		MF/MA	MF/MA	MF/MA	MF/MA	MF/MA	MQ	MF	MF	MF	MF	MF	MF	MF	MF/MT
Ratio ^{d)}	min. $i =$	3	3	3	3	3	4	3	3	3	3	3	4	4	4
	max. $i =$	100	100	100	100	100	100	100	100	100	100	100	400	400	400
Max. torsional backlash [arcmin] ^{d)}	Standard	≤ 8	≤ 8	≤ 8	≤ 8	≤ 8	≤ 5	≤ 11	≤ 11	≤ 11	≤ 11	≤ 11	≤ 6	≤ 6	≤ 10
	Reduced	-	-	-	-	-	-	-	-	-	-	-	-	-	-
Output type															
Smooth shaft		x	x	x	-	x	-	x	x	x	-	x	-	x	x
Shaft with key ^{d)}		x	x	x	-	x	-	x	x	x	-	x	-	x	x
Splined shaft (DIN 5480)		-	x	x	-	x	-	-	x	x	-	x	-	-	-
Blind hollow shaft		-	-	-	-	-	-	-	-	-	-	-	-	-	-
Hollow shaft interface		-	-	-	-	-	-	-	-	-	-	-	x	-	-
Keyed hollow shaft		-	-	-	-	-	-	-	-	-	-	-	x	-	-
Flanged hollow shaft		-	-	-	-	-	-	-	-	-	-	-	-	-	-
Flange		-	-	-	x	-	x	-	-	-	x	-	-	-	-
System output		-	-	-	-	-	-	-	-	-	-	-	-	-	-
Output on both sides		-	-	-	-	-	-	-	-	-	-	-	x	x	-
Input type															
Motor-mounted		x	x	x	x	x	x	x	x	x	x	x	x	x	x
Self-contained version ^{b)}		-	-	-	-	-	-	-	-	-	-	-	-	-	-
Characteristic															
Flange with slotted holes		-	-	-	-	x	-	-	-	-	-	x	-	-	-
ATEX ^{a)}		-	-	-	-	-	-	-	-	-	-	-	-	-	-
Food-grade lubrication ^{a) b)}		x	x	x	x	x	x	x	x	x	x	x	x	x	x
Corrosion resistant ^{a) b)}		-	-	-	-	-	-	-	-	-	-	-	x	x	x
Optimized mass inertia ^{a)}		-	-	-	-	-	-	-	-	-	-	-	-	-	-
System solutions															
Linear system (rack/pinion)		x	x	x	-	x	-	x	x	x	-	x	-	x	-
Servo actuator		-	-	-	-	-	-	-	-	-	-	-	-	-	x
Accessories (please refer to the product pages for further options)															
Coupling		x	x	x	x	x	x	x	x	x	-	x	-	x	-
Shrink disc		-	-	-	-	-	-	-	-	-	-	-	x	-	-

^{a)} Power reduction: technical data available on request

^{b)} Please contact WITTENSTEIN alpha

^{c)} In relation to reference sizes

^{d)} Power reduction: Please use our sizing software cymex® for a detailed sizing – www.wittenstein-cymex.com

Advanced Line gearbox overview



Product type		SP+	SP+ HIGH SPEED	SP+ HIGH SPEED friction optimized	TP+	TP+ HIGH TORQUE	HG+	SK+	SPK+
Version		MF	MC	MC-L	MF	MA	MF	MF	MF
Ratio ^{c)}	min. i =	3	3	3	4	22	3	3	12
	max. i =	100	100	10	100	302.5	100	100	10000
Max. torsional backlash [arcmin] ^{c)}	Standard	≤ 3	≤ 4	≤ 4	≤ 3	≤ 1	≤ 4	≤ 4	≤ 4
	Reduced	≤ 1	≤ 2	≤ 2	≤ 1	–	–	–	≤ 2
Output shape									
Smooth shaft		x	x	x	–	–	–	x	x
Shaft with key ^{d)}		x	x	x	–	–	–	x	x
Splined shaft (DIN 5480)		x	x	x	–	–	–	x	x
Blind hollow shaft		x	x	x	–	–	–	–	x
Hollow shaft interface		–	–	–	–	–	x	–	–
Keyed hollow shaft		–	–	–	–	–	–	–	–
Flanged hollow shaft		–	–	–	–	–	–	–	–
Flange		–	–	–	x	x	–	–	–
System output		–	–	–	x	x	–	–	–
Output on both sides		–	–	–	–	–	x	x	x
Input type									
Motor-mounted		x	x	x	x	x	x	x	x
Self-contained version ^{b)}		x	–	–	x	–	–	–	–
Characteristic									
Flange with slotted holes		x	–	–	–	–	–	–	–
ATEX ^{a)}		x	x	–	–	–	x	x	–
Food-grade lubrication ^{a) b)}		x	x	x	x	x	x	x	x
Corrosion resistant ^{a) b)}		x	x	x	x	x	x	x	x
Optimized mass inertia ^{a)}		x	x	x	x	x	–	–	–
System solutions									
Linear system (rack / pinion)		x	x	–	x	x	–	x	x
Servo actuator		x	–	–	x	x	–	–	–
Accessories (please refer to the product pages for further options)									
Coupling		x	x	x	x	x	–	x	x
Shrink disc		x	x	x	–	–	x	–	x

^{a)} Power reduction: technical data available on request

^{b)} Please contact WITTENSTEIN alpha

^{c)} In relation to reference sizes

^{d)} Power reduction: Please use our sizing software cymex® for a detailed sizing – www.wittenstein-cymex.com



TK+	TPK+	TPK+ HIGH TORQUE	SC+	SPC+	TPC+	VH+	VS+	VT+	DP+	HDP+
MF	MF	MA	MF	MF	MF	MF	MF	MF	MF / MA	MA
3	12	66	1	4	4	4	4	4	16	22
100	10000	5500	2	20	20	400	400	400	55	55
≤ 4	≤ 4	≤ 1.3	≤ 4	≤ 4	≤ 4	≤ 3	≤ 3	≤ 3	≤ 3	≤ 1
-	≤ 2	-	-	≤ 2	≤ 2	≤ 2	≤ 2	≤ 2	≤ 1	-
-	-	-	x	x	-	-	x	-	-	-
-	-	-	x	x	-	-	x	-	-	-
-	-	-	-	x	-	-	x	-	-	-
-	-	-	-	x	-	-	-	-	-	-
-	-	-	-	-	-	x	-	-	-	-
-	-	-	-	-	-	-	x	-	-	-
x	-	-	-	-	-	-	-	x	-	-
-	x	x	-	-	x	-	-	-	x	x
-	x	x	-	-	x	-	-	-	-	-
x	x	x	-	-	-	x	x	-	-	-
x	x	x	-	-	-	x	x	-	-	-
x	x	x	x	x	x	x	x	x	x	x
x	x	x	x	x	x	x	x	x	x	x
-	-	-	-	-	-	-	-	-	x	x
x	x	x	x	x	x	-	x	x	-	-
-	-	-	-	-	-	-	-	-	-	-
x	x	x	x	x	x	-	x	x	-	-
-	-	-	-	x	-	x	-	-	-	-

Premium Line gearbox overview



Product type		XP ⁺	XP ⁺ HIGH TORQUE	XP ⁺ HIGH SPEED	RP ⁺	RP ⁺ HIGH TORQUE	XPK ⁺	RPK ⁺	XPC ⁺	RPC ⁺
Version		MF	MA	MC	MF	MA	MF	MA	MF	MA
Catalog page		24	38	32	44	50	64	68	74	81
Ratio ^{c)}	min. $i =$	3	5.5	3	4	5.5	12	48	4	22
	max. $i =$	100	55	100	10	220	1000	5500	20	55
Max. torsional backlash [arcmin] ^{c)}	Standard	≤ 3	≤ 1	≤ 4	≤ 3	≤ 1	≤ 4	≤ 1.3	≤ 4	≤ 1.3
	Reduced	≤ 1	–	≤ 2	≤ 1	–	≤ 2	–	≤ 2	–
Output shape										
Smooth shaft		x	x	x	–	–	x	–	x	–
Shaft with key ^{d)}		x	–	x	–	–	x	–	x	–
Splined shaft (DIN 5480)		x	x	x	–	–	x	–	x	–
Blind hollow shaft		x	x	x	–	–	x	–	x	–
Hollow shaft interface		–	–	–	–	–	–	–	–	–
Keyed hollow shaft		–	–	–	–	–	–	–	–	–
Flanged hollow shaft		–	–	–	–	–	–	–	–	–
Flange		–	–	–	x	x	–	x	–	x
System output		x	x	x	x	x	x	x	x	x
Output on both sides		–	–	–	–	–	–	–	–	–
Input type										
Motor-mounted		x	x	x	x	x	x	x	x	x
Self-contained version ^{b)}		x	–	–	–	–	–	–	–	–
Characteristic										
Flange with slotted holes		x	x	x	x	x	x	x	x	x
ATEX ^{a)}		–	–	–	–	–	–	–	–	–
Food-grade lubrication ^{a) b)}		x	x	x	x	x	x	x	x	x
Corrosion resistant ^{a) b)}		–	–	–	–	–	–	–	–	–
Optimized mass inertia ^{a)}		x	–	x	x	x	–	–	–	–
System solutions										
Linear system (rack / pinion)		x	x	x	x	x	x	x	x	x
Servo actuator		x	–	–	x	x	–	–	–	–
Accessories (please refer to the product pages for further options)										
Coupling		x	x	x	–	–	x	–	x	–
Shrink disc		x	x	x	–	–	x	–	x	–

^{a)} Power reduction: technical data available on request

^{b)} Please contact WITTENSTEIN alpha

^{c)} In relation to reference sizes

^{d)} Power reduction: Please use our sizing software cymex[®] for a detailed sizing – www.wittenstein-cymex.com

Servo actuator overview



Product type		PBG	PAG	PHG	RPM+	TPM+ DYNAMIC	TPM+ HIGH TORQUE	TPM+ POWER	AVF
Version		Standard	Standard	Standard	Customer specific	Standard	Standard	Standard	Standard
Ratio ^{d)}	min. $i =$	16	16	16	22	16	22	4	10
	max. $i =$	100	100	100	220	91	220	100	25
Max. torsional backlash ^{d)} [arcmin]	Standard	≤ 5	≤ 3	≤ 4	≤ 1	≤ 3	≤ 1	≤ 3	≤ 10
	Reduced	≤ 3	≤ 1	≤ 2	-	≤ 1	≤ 1	≤ 1	-
Output shape									
Smooth shaft		x	-	x	-	-	-	-	x
Shaft with key ^{d)}		x	-	x	-	-	-	-	x
Splined shaft (DIN 5480)		x	-	x	-	-	-	-	-
Blind hollow shaft		-	-	-	-	-	-	-	-
Hollow shaft interface		-	-	-	-	-	-	-	-
Keyed hollow shaft		-	-	-	-	-	-	-	-
Flanged hollow shaft		-	-	-	-	-	-	-	-
Flange		-	x	-	x	x	x	x	-
System output		-	x	x	x	x	x	x	-
Output on both sides		-	-	-	-	-	-	-	-
Input type									
Motor-mounted		-	-	-	-	-	-	-	-
Self-contained version		-	-	-	-	-	-	-	-
Characteristic									
Flange with slotted holes		-	-	x	x	-	-	-	-
ATEX ^{a)}		-	-	-	-	-	-	-	-
Food-grade lubrication ^{a) b)}		x	x	x	x	x	x	x	x
Corrosion resistant ^{a) b)}		-	-	-	-	x	x	x	x
Optimized mass Inertia ^{a)}		-	-	-	-	-	-	-	-
System solutions									
Linear system (rack / pinion)		x	x	x	x	x	x	x	-
Accessories (please refer to the product pages for further options)									
Coupling		x	x	-	-	x	x	x	-
Shrink disc		x	-	x	-	-	-	-	-
Power cable, signal cable, hybrid cable		x	x	x	x	x	x	x	x

^{a)} Power reduction: technical data available on request

^{b)} Please contact WITTENSTEIN alpha

^{c)} In relation to reference sizes

^{d)} Power reduction: Please use our sizing software cymex® for a detailed sizing – www.wittenstein-cymex.com

Overview of output interfaces

Rotative output interfaces



Smooth shaft

- Friction contact torque transmission via a clamp connection (e.g. in connection with a coupling)
- Simple connection of the gearbox to the application
- Consistently high transmittable torques even with highly cyclical changing loads
- Classic output interface for the shaft gears in the alpha Advanced Line and alpha Premium Line



Shaft with key

- Form fit torque transmission via the key in the cylindrical gearbox output¹
- Easy to assemble and disassemble
- Cost-efficient solution for connecting the gearbox to the application
- Form fit locking of the shaft against slipping
- Danger of deflection with highly cyclical changing loads
- Not suitable for applications with high requirements in terms of repeatability
- Common output interface for the shaft gears in the alpha Basic Line and alpha Value Line



Splined shaft (DIN 5480)

- Form fit torque transmission via the tooth flanks of the output shaft
- Easy to assemble and disassemble
- Consistently high transmittable torques even with highly cyclical changing loads
- Requires little space
- Higher demands on design and production
- Used for connecting RMS pinions to the gearbox (see the alpha Linear Systems product catalog)



Flange output

- Friction contact torque transmission by screwing the application to the face of the gearbox output²
- Maximum torsional rigidity and torque transmission even with highly cyclical changing loads
- Simple and space-saving mounting base



Blind hollow shaft⁴

- Friction contact torque transmission via a hollow-shaft-like interface on the gearbox output for connecting the application to a shrink disc³
- Reduced space requirement due to elimination of connecting elements (e.g. couplings)



System output as the basis for RMW pinions (see alpha Linear Systems product catalog)

- Cohesive connection of the output flange with a pinion
- Highly flexible interface for connecting different pinion variants and geometries
- Maximum linear rigidity through the direct connection of pinions with a small reference pitch diameter
- Maximum safety and reliability
- Compact design



Flanged hollow shaft

- Friction contact torque transmission by screwing the application to the face of the gearbox output ²
- Combination of flange output and hollow shaft for maximum use of space for feeding through e.g. cable harnesses or a shaft
- Maximum torsional rigidity and torque transmission even with highly cyclical changing loads
- Simple and space-saving mounting base



Hollow shaft interface ⁴

- Friction contact torque transmission via cylindrical shoulder on the gearbox output for connecting the application to a shrink disc
- Hollow shaft for feeding through e.g. cable harnesses or a shaft
- Requires little space
- Complex mechanical calculation in the event of tilting moments or lateral forces



Keyed hollow shaft ⁴

- Form fit torque transmission via the combination of the hollow shaft and a feather keyway ¹
- Hollow shaft for feeding through e.g. cable harnesses or a shaft
- Easy to assemble and disassemble
- Form fit safeguard of the shaft against slipping
- Requires little space
- Danger of deflection with highly cyclical changing loads
- Not suitable for applications with high requirements in terms of repeatability



Output on both sides

- Version of the gearbox with a second, rear output
- Use as input for an additional mounting base
- No reduction in the permitted speeds and torques on both output sides, except in gearboxes with additional planetary output stages (e.g. SPK⁺, TPK⁺); these gearboxes also have higher speeds at the rear output.
- Reduced absorption of axial and lateral forces on the rear output

¹⁾ The cymex[®] 5 sizing software performs standard calculations in this regard. Assistance from WITTENSTEIN is possible if required.

²⁾ The reliability of the screws depends largely on the screws used, the screw tightening procedure, and the cleaning procedure for the screws during assembly. Recommendations in this regard are included in the operating manual.

³⁾ For radial loads, a case-by-case check by WITTENSTEIN is recommended.

⁴⁾ To prevent overdetermination of the system, a torque support is recommended.

Overview of gearbox variants

XP **010** **S** - **M** **F** **1** - **5** - **0** **E** **1** - **2** **S**

Characteristic:

F = Food grade lubrication
G = Grease
H = Food-grade grease
K = Output SP+ compatible
R = Flange with slotted holes
S = Standard

Explanation of variants
deviating from the standard:

F = Food grade lubrication

These products are available with food-grade lubrication and can therefore be used in the food industry. Please note that the torque ratings in the catalog are reduced by 20 %.

G = Grease

This variant allows you to lubricate selected products with grease instead of oil. Please note that the torque ratings in the catalog are reduced by 20 %.

H = Food-grade grease

This variant allows you to lubricate selected products with food-safe grease instead of oil. Please note that the torque ratings in the catalog are reduced by 40 %.

K = Output SP+ compatible

The XP+ gearboxes are available with an SP+ output compatible housing (square). It is necessary to also choose the SP+ compatible output shaft in order to achieve full output compatibility. The technical data is similar to the SP+. Please contact WITTENSTEIN alpha for detailed information.

R = Flange with slotted holes

This output type is designed for linear applications with rack and pinion or belt pulley. Integrated slotted holes enable easy positioning of the pinion or simple tensioning of the belt.

R-flange with slots for XP⁺, XPK⁺ and XPC⁺ gearboxes

The R-flange has become indispensable in rack and pinion drive trains: it is the benchmark for modularity and ease of installation. That's why the R-flange is also used in our XP⁺ family as both a coaxial and a right-angle version, with a host of design options.

Your benefits at a glance

Easy mounting and positioning of the gearbox with a mounted pinion in relation to the rack

Lower design costs

Potential saving because no additional design elements are needed, e.g. intermediate plates

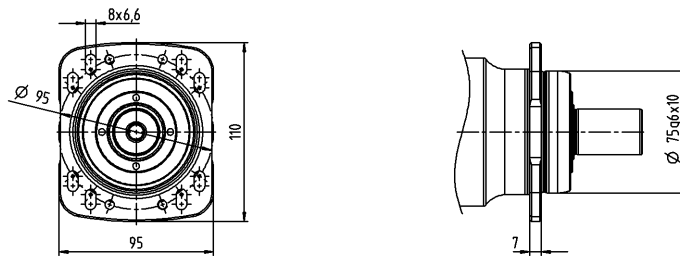
More design freedom due to higher compactness



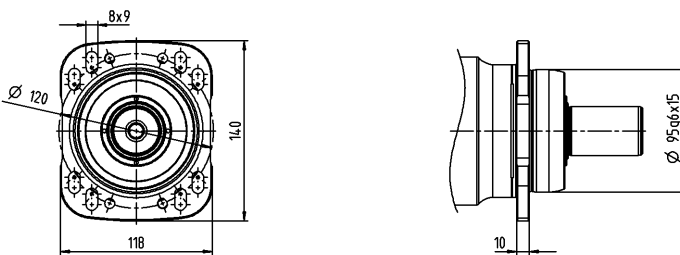
Premium Linear Systems with XP⁺ R

Views

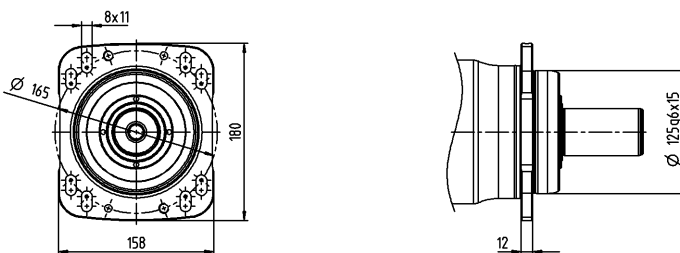
XP⁺ 020 R



XP⁺ 030 R



XP⁺ 040 R



Special assembly washers for the slotted version are included in the scope of delivery.

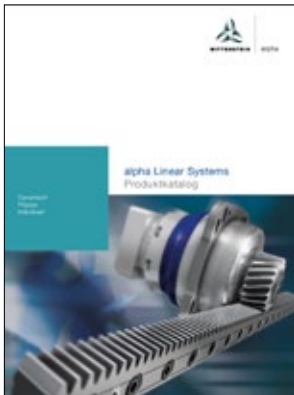
alpha Premium Linear Systems

A new dimension in performance

With the Premium Linear System, the performance of the rack and pinion system enters a new dimension. While others are still busy adapting existing solutions, WITTENSTEIN alpha has stayed several steps ahead by developing the new linear systems. The innovative Premium Linear System is used in all applications where the individual requirements far exceed what has previously been possible. Compared to the industry standard, the values have been improved by 150 % on average.

The **alpha preferential linear system** – The best from each segment

Our preferential linear systems in the premium segment are always comprised of the perfect combination of gearbox, pinion, rack and lubrication system. The systems have been optimized to achieve the required feed force, feed speed, stiffness and degree of utilization of the individual components.



For further information, refer to our alpha Linear Systems catalog and our website:
www.wittenstein-alpha.com/linear-systems

For a wide range of applications

Linear systems from WITTENSTEIN alpha are suitable for a wide range of applications and industries. New standards and advantages have been achieved in the following areas:

- Smooth operation
- Positioning accuracy
- Feed force
- Power density
- Rigidity
- Easy installation
- Design options
- Scalability

Together with a comprehensive range of services, we pledge to support you from the initial concept to the design, installation and commissioning phase. We will also ensure a consistent supply of spare parts.

Your benefits at a glance

- Perfectly matched components
- Maximum efficiency and power density
- Exceptional linear system rigidity for even greater dynamics and precision
- Simple mounting and maximum integration in the drive train
- Available in different sizes, power categories and segments

Consultation and quality – everything from a single source!



INIRA®: The revolution in rack assembly



Simply scan the QR code using your smartphone to see INIRA® in action.

INIRA® combines our existing innovative concepts for the simple, safe and efficient installation of racks. INIRA® clamping, INIRA® adjusting and INIRA® pinning have already made the assembly process much faster, more accurate and more ergonomic. Available for the Advanced and Premium Linear Systems.

INIRA® clamping: Simply faster and more ergonomic
Previously, enormous effort was required to clamp racks to the machine bed using screw clamps. INIRA® clamping integrates the clamping device in the rack. The rack incorporates a mounting sleeve which is guided over the head of the fastening screw to ensure quick and ergonomic clamping.

INIRA® pinning: Simply better and more efficient
The previous method used for pinning racks was extremely time-consuming. Precision bores have to be drilled and the chips generated must be carefully removed from the assembly. INIRA® pinning now offers a completely new solution for the chipless pinning of racks, which reduces installation times considerably (time spent on each rack ~ 1 min).

INIRA® adjusting: Simply safer and more precise
In combination with INIRA® clamping, INIRA® adjusting is the ideal solution for perfectly adjusting the transition between two rack segments. The innovative setting tool can adjust the transition extremely reliably and precisely, accurate to the micrometer.



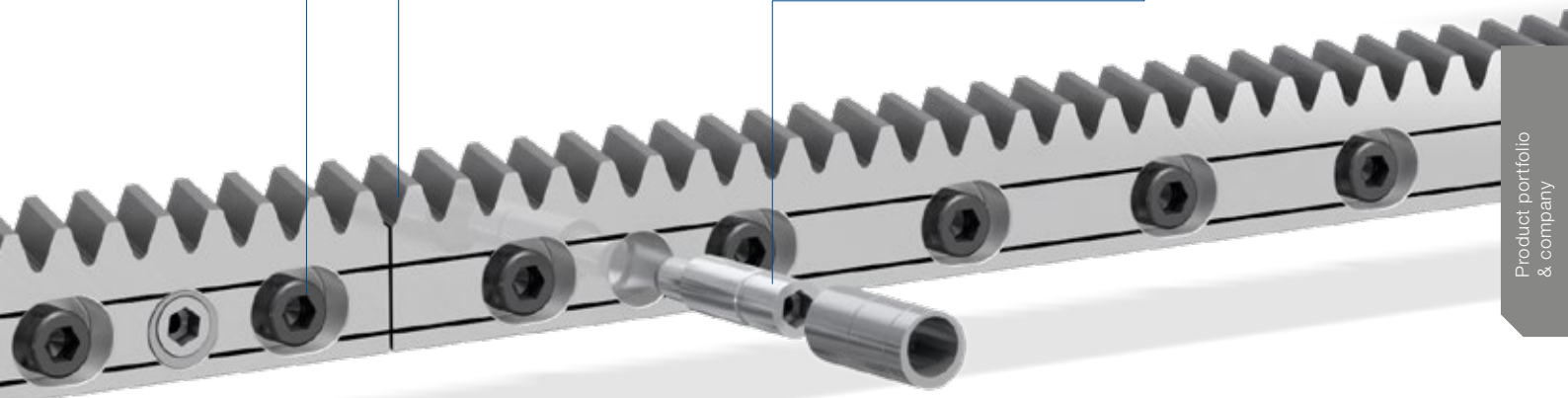
INIRA® clamping



INIRA® adjusting

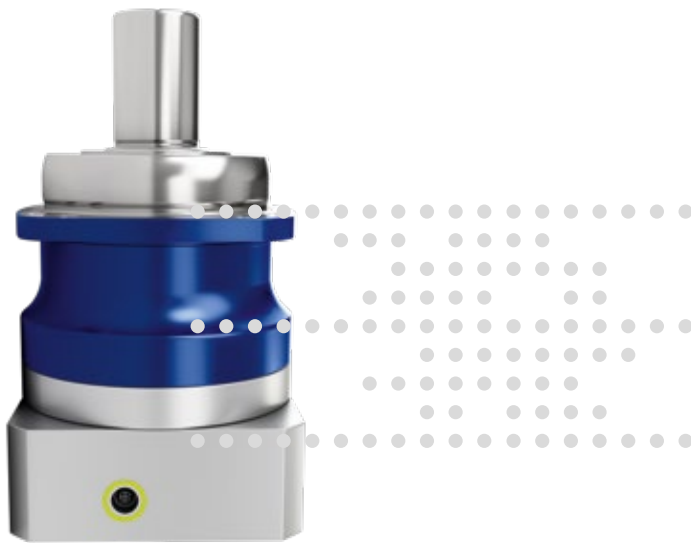


INIRA® pinning



cynapse® – It's new. It's connective. The smart feature.

Cybertronic drive systems that can independently acquire and communicate information are an essential prerequisite for IIoT. WITTENSTEIN alpha is the first component manufacturer to offer smart gearboxes as standard – gearboxes with cynapse®. They have an integrated sensor module that makes Industry 4.0 connectivity possible.



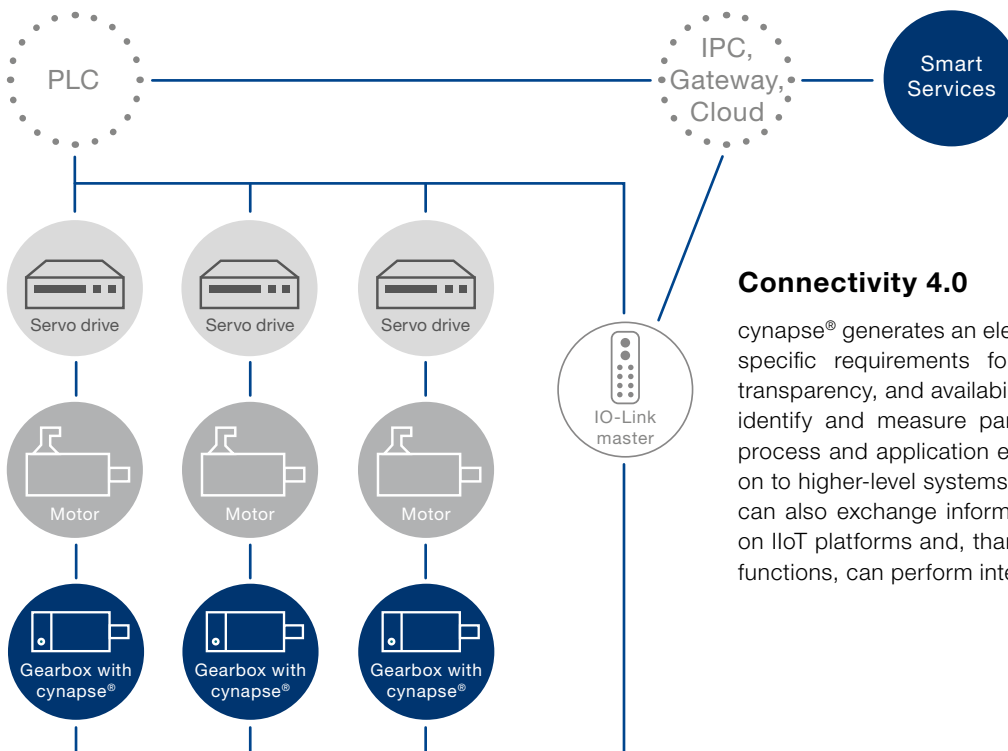
cynapse®
play IIoT

cynapse® – how it works

cynapse® ensures the gearbox can be easily integrated into the digital world. The cynapse® feature is integrated into the existing installation space and is connected via an IO-Link interface. As a result, measured data such as the gearbox's **temperature, vibration, operating time, acceleration, and product-specific information** can be accessed.

cynapse® wins customers over with:

- Sensor module integrated into the installation space
- Simple connection by IO-Link interface
- Gearbox threshold monitoring
- Quick product identification thanks to digital name plate



Connectivity 4.0

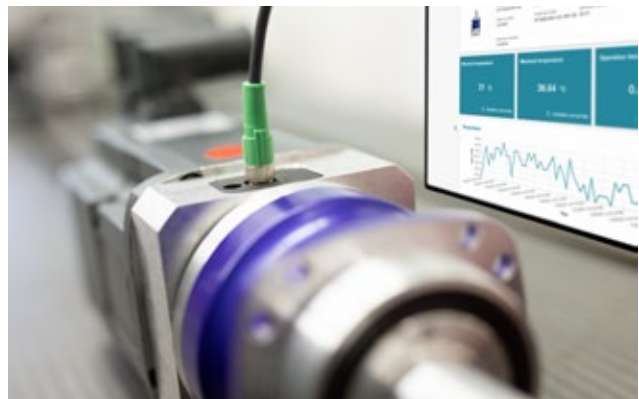
cynapse® generates an electronic “fingerprint” of your specific requirements for performance, efficiency, transparency, and availability. The smart gearbox can identify and measure parameters directly from the process and application environment and pass them on to higher-level systems. Gearboxes with cynapse® can also exchange information with the applications on IIoT platforms and, thanks to their integrated logic functions, can perform intelligent monitoring tasks.

Smart Services – the perfect complement

The Smart Services expand the functional scope of the cynapse® feature. The basic functions comprise data processing, visualization, and analysis. The specific expertise, which WITTENSTEIN has gathered over more than 40 years of developing low-backlash planetary gearboxes, is used in combination with the operating data to establish and display the status of the gearbox in the Smart Services.

Your benefits at a glance

- Visualization of the operating data
- Simple and convenient integration
- Determination and monitoring of critical threshold values
- Early identification of problematic statuses
- Avoidance of machine downtimes and associated costs
- Transparency for drive axis



cynapse® Connect enables integration and routing of data, which is a fundamental prerequisite for condition monitoring. The Smart Service makes the recorded data available in a structured format. It can obtain this data from various source systems via IO-Link or OPC UA and utilizes it for digital services from WITTENSTEIN. cynapse® Connect thus greatly simplifies the integration of smart gearboxes into the relevant machine infrastructure.



cynapse® Monitor builds upon the Smart Service cynapse® Connect and enables straightforward evaluation and visualization of operating data. Since manufacturers and operators do not have to develop their own solutions, development requirements are massively reduced. In addition, the data of the cynapse® Monitor service can be used to monitor threshold values of selected parameters. Deviations and critical states in the behavior of gearboxes or in the relevant process can therefore be identified at an early stage.



cynapse® Analyze is an ever-growing portfolio of smart features. The focus of this service is the detection of anomalies or wear. The Anomaly-Check, for example, detects changes in the belt tension in packaging machine drives. The Health Index displays the gearbox condition simply and intuitively by means of a traffic light, which can be used to establish the recommended course of action. These features help to prevent unplanned downtimes as well as the associated breakdown and repair costs. Machine operators can thus take the necessary action before any damage occurs.



Precision meets motion = premo® by WITTENSTEIN alpha

premo® is a powerful servo actuator platform that combines absolute precision with perfect movement. The central idea behind this first fully scalable servo actuator platform is uncompromising flexibility from the viewpoint of the user. Motors and gearboxes with application-related graduated performance characteristics can be configured modularly to individual servo actuators. The result is a

highly versatile modular system with customizable power, designed for a wide variety of applications. The core of the servo actuator is a torsionally rigid precision gearbox with low backlash and excellent torque density combined with the equally powerful, permanent magnet servo motor with a split winding that guarantees low cogging and minimal velocity ripple.

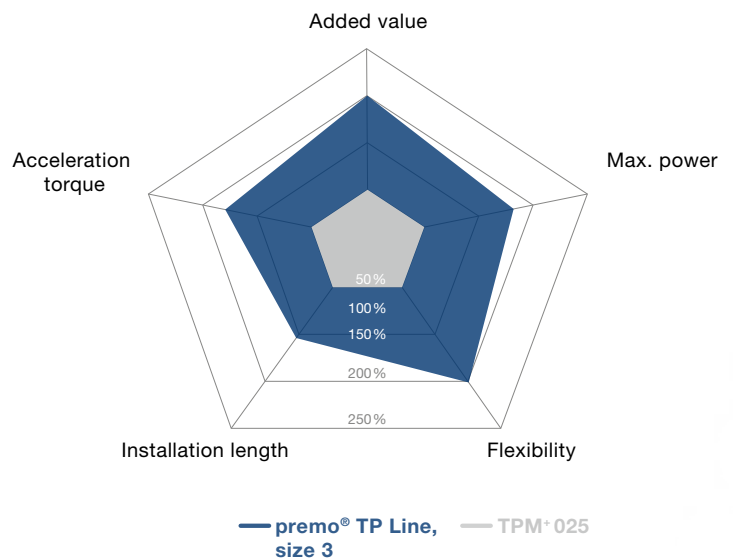
premo® – clearly superior in performance

- Higher machine performance thanks to higher acceleration torque
- High torque density combined with a compact design allow for the realization of higher performance machines with significant space saving
- Improved connectivity to next generation controllers from leading system providers through the use of digital feedback (EnDat 2.2, DSL, HIPERFACE DSL®, DRIVE-CLiQ)
- Compatibility for high bus voltages up to 750 V DC
- Reduced wiring requirement through single-connector technology
- Improved reliability and safety through the use of more powerful brakes and SIL 2 encoders



Product highlights

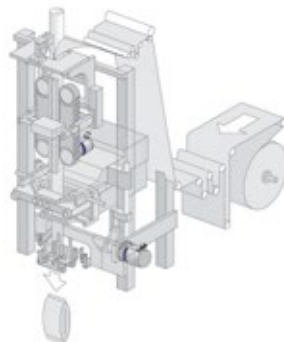
- Optimized power density for greater energy efficiency and productivity**
- Flexible mechanical and electrical interfaces for high scalability**
- Variety of options for individually upgrading the basic configuration**



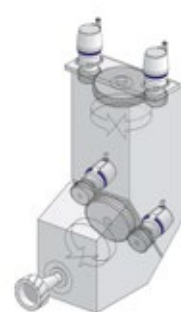
premo® application examples



Handling portal
premo® SP Line



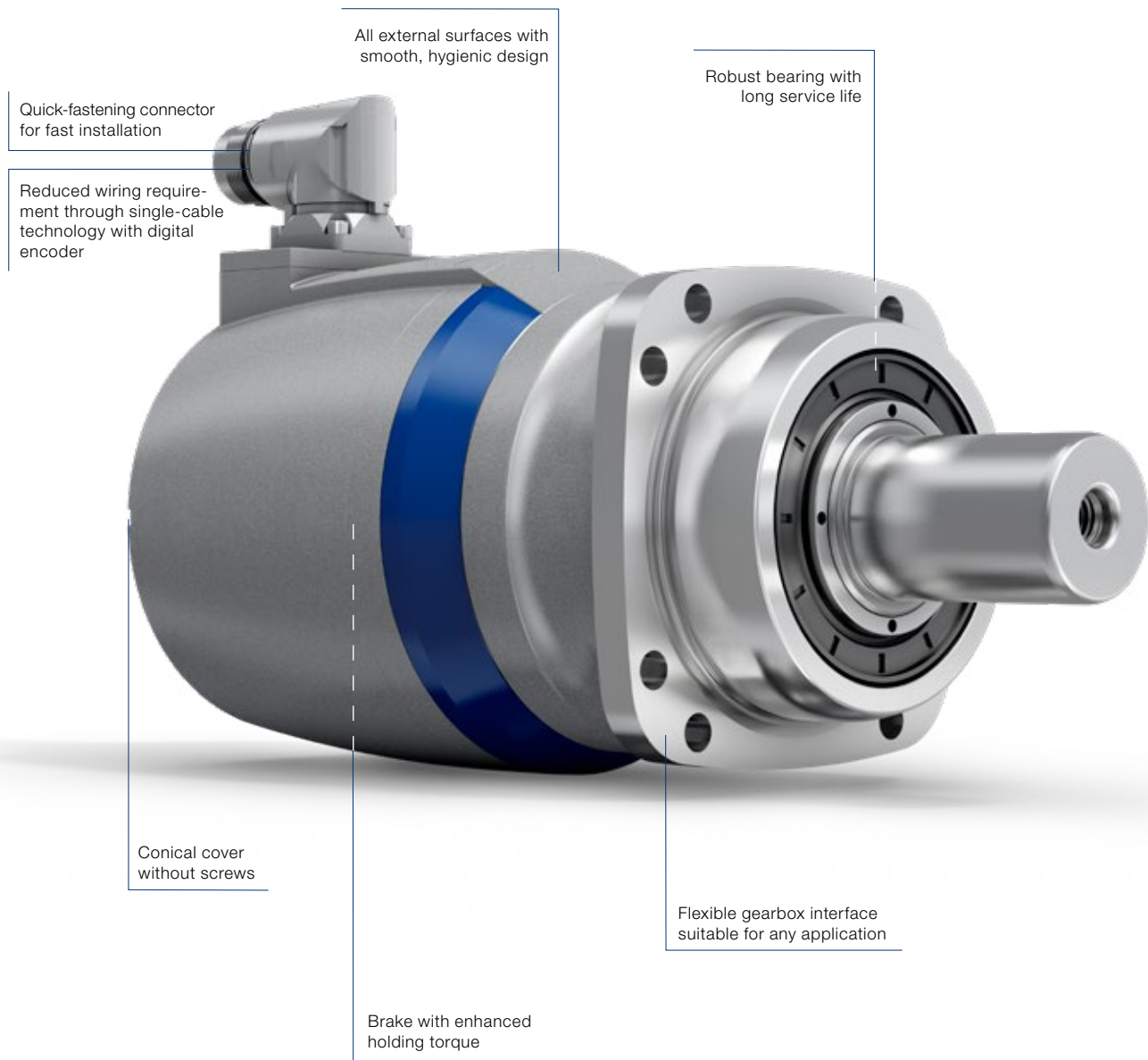
Fill and Seal machine
premo® TP Line



Milling cutter for a machining center
premo® XP Line

Typical fields of application and industry solutions

- Delta robot (axes 1–3, swivel axis)
- Handling portal (Z-axis, swivel/rotating axis)
- Machine tool reaming (rotating axes A–C, tool changer)
- Fill and Seal Machine (incl. jaw stroke, sealing jaw, blade)
- Folding carton packaging (incl. assembly/folding, filling valve)
- Plastic thermoform (tool axis)



Galaxie® drive system – Performance in a new dimension



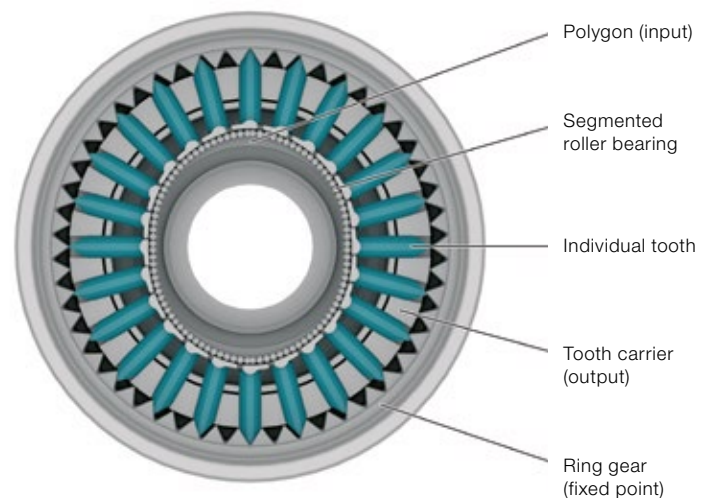
Next Technology Drive

This award-winning innovation by WITTENSTEIN surpasses all previous drives in terms of torsional backlash, torque density, stiffness and compactness. The innovative core of the Galaxie® is that the drive makes almost full surface contact during power transmission, which produces a defined torque density as well as exceptional torsional rigidity and zero backlash – even at the zero crossing.

Product highlights

- High torsional rigidity**
- No backlash – even at the zero crossing**
- Hydrodynamic surface contact**
- Maximum torque density**
- High robustness**
- Hollow shaft**

Schematic diagram



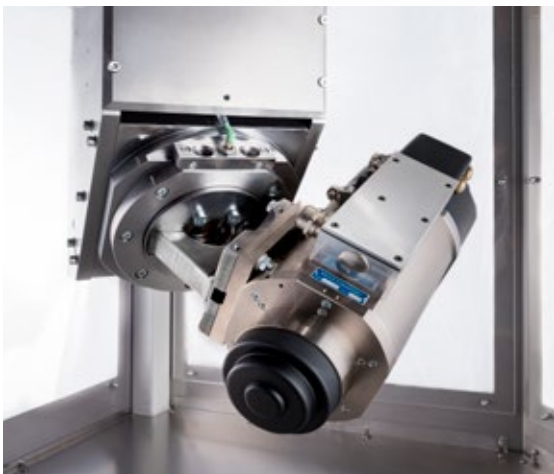
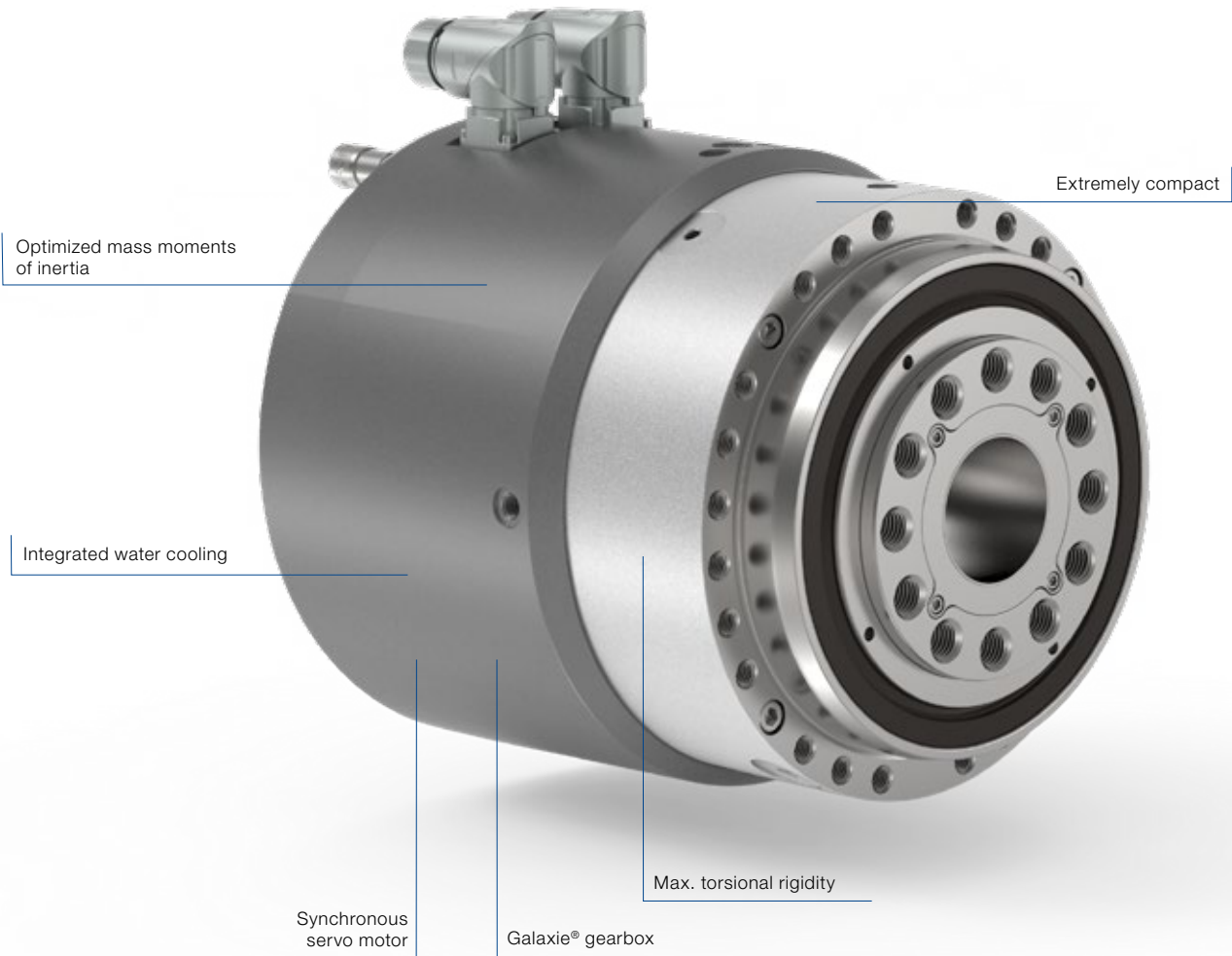
Complete system under one roof

Options:

- Integrated holding brake
- Different feedback systems
- Additional encoder system at the input



Find out more about the Galaxie® by simply scanning the QR code using your smartphone.



Galaxie® mounted on a milling cutter manufactured by Maka Systems GmbH for processing carbon composite materials – High Speed for maximum component quality

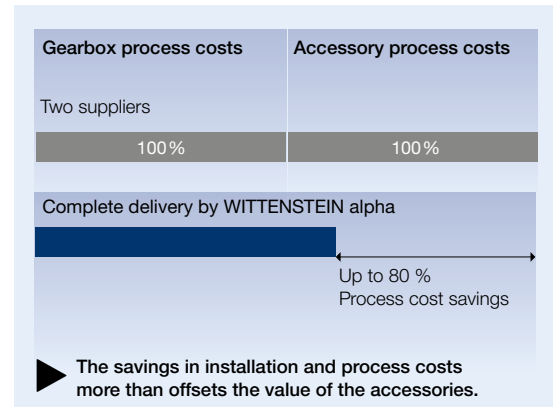
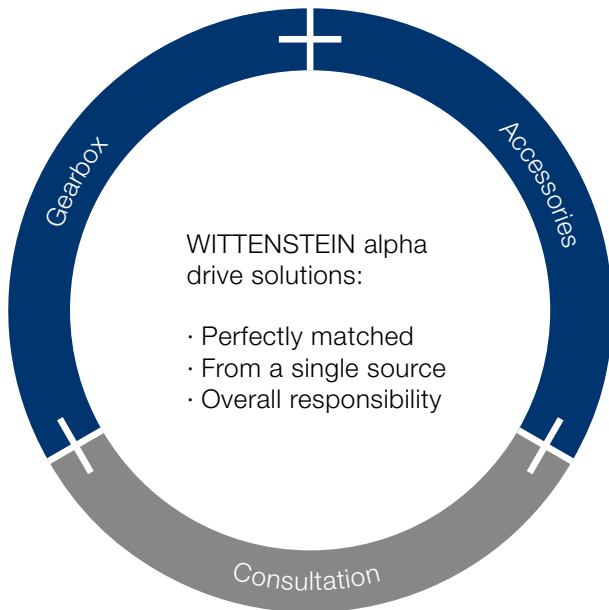


Galaxie® in a spline rolling machine – faster processing speeds increase productivity by 40 %

Accessories – smart additions for intelligent performance

Gearboxes, accessories and consulting from a single source

Optimization of your added value chain
Use the combination of gearbox and accessories in a complete package to streamline your internal processes.



Quick selection

PRODUCTS	COUPLING	SHRINK DISC
Basic Line		
CP / CPK	ELC	
CPS / CPSK	ELC	
CVH		SD
CVS	ELC	
Value Line		
NP / NPK	ELC	
NPL / NPLK	ELC	
NPS / NPSK	ELC	
NPT / NPTK / NTP	ELT	
NPR / NPRK	ELC	
NVH		SD
NVS	ELC	

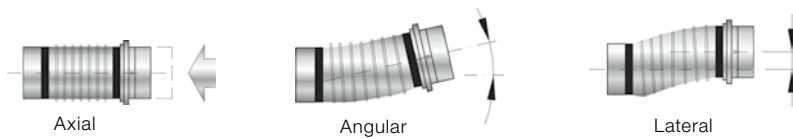
PRODUCTS	COUPLING	SHRINK DISC
Advanced Line		
SP ⁺ / SPK ⁺ / SPC ⁺	BC2	SD
TP ⁺ / TPK ⁺ / TPC ⁺	BCT	
TP ⁺ / TPK ⁺ HIGH TORQUE	BCT	
HG ⁺		SD
SK ⁺	BC2	
TK ⁺	BCT	SD
SC ⁺	BC2	
VH ⁺		SD
VS ⁺	BC3	
VT ⁺	BCT	
premo [®] SP Line	BC2	
premo [®] TP Line	BCT	
TPM ⁺ DYNAMIC		
TPM ⁺ HIGH TORQUE	BCT	
TPM ⁺ POWER		

Premium Line		
XP ⁺ / XPK ⁺ / XPC ⁺	BC3	
premo [®] XP Line	BC3	

Couplings

Couplings are used for compensating misalignment during assembly and material-related heat expansion

Compensation for shaft misalignment



Metal bellows coupling

- Compensation for shaft misalignment
- Completely backlash free
- Corrosion resistant version available as an option (BC2, BC3, BCT)
- High torsional rigidity



Elastomer coupling

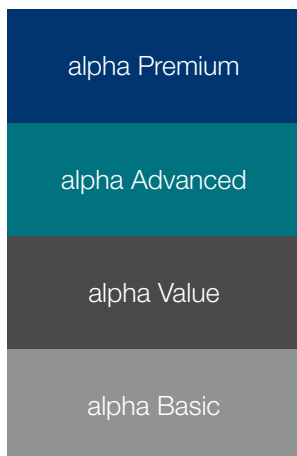
- Compensation for shaft misalignment
- Completely backlash free
- Selectable torsional rigidity/damping
- Compact design
- Extremely simple installation (plug-in)



Torque limiter

- Compensation for shaft misalignment
- Completely backlash free
- Precise, preset overload protection (switch-off in 1 – 3 ms)
- Precise repeat accuracy
- Just one protection element per axis

Preferred coupling series



Preferred series are defined for the relevant gearbox segments to make selection easier. Preferred couplings are defined based on the maximum torque that the gearbox can transmit. Standard industrial conditions for the number of cycles (1000/h) and ambient temperature were adopted.

Please note that the coupling load is based on the torque that the gearbox can transmit and not the torque in your application. We recommend using our cymex® 5 design software to create a more detailed design. (www.wittenstein-cymex.com)

ELC For more coupling types, please visit www.wittenstein-alpha.com

Shrink disks

Shrink disks are frictional hub / shaft connections. Together with our hollow shaft or mounted shaft gearboxes for mounting directly on load shafts, machines can be designed to take up a minimal installation space.

The benefits:

- Simple mounting and removal
- Quick selection, easy and convenient
- Optional: corrosion resistant version

Preferred shrink disk series

To view a wide range of nickel-plated, stainless steel and other shrink disks as well as all the relevant technical data and dimensions, visit our homepage

www.wittenstein-alpha.com



Quick shrink disc selection

Gearbox		Version			Geometry					
		Standard	Nickel-plated	Stainless steel	d	D	A	H*	H2*	J [kgcm ²]
HG ⁺ / SP ⁺ / SPC ⁺ 060	Ordering code	SD 018x044 S2	SD 018x044 N2	SD 018x044 E2	18	44	30	15	19	0.252
	Material number	20000744	20048496	20048491						
	T _{2Max} [Nm]	100	51	51						
HG ⁺ / SP ⁺ / SPK ⁺ / SPC ⁺ 075	Ordering code	SD 024x050 S2	SD 024x050 N2	SD 024x050 E2	24	50	36	18	22	0.729
	Material number	20001389	20047957	20043198						
	T _{2Max} [Nm]	250	136	136						
HG ⁺ / SP ⁺ / SPK ⁺ / SPC ⁺ 100	Ordering code	SD 036x072 S2	SD 036x072 N2	SD 036x072 E2	36	72	52	22	27.5	3.94
	Material number	20001391	20048497	20035055						
	T _{2Max} [Nm]	650	575	450						
HG ⁺ / SP ⁺ / SPK ⁺ / SPC ⁺ 140	Ordering code	SD 050x090 S2	SD 050x090 N2	SD 050x090 E2	50	90	68	26	31.5	11.1
	Material number	20001394	20048498	20047937						
	T _{2Max} [Nm]	1320	1015	770						
HG ⁺ / SP ⁺ / SPK ⁺ / SPC ⁺ 180	Ordering code	SD 068x115 S2	SD 068x115 N2	SD 068x115 E2	68	115	86	29	34.5	31.1
	Material number	20001396	20048499	20048492						
	T _{2Max} [Nm]	2450	1820	1500						
VH ⁺ / NVH / CVH 040	Ordering code	SD 024x050 S2	SD 024x050 N2	SD 024x050 E2	24	50	36	18	22	0.729
	Material number	20001389	20047957	20043198						
	T _{2Max} [Nm]	250	136	136						
VH ⁺ / NVH / CVH 050	Ordering code	SD 030x060 S2V	SD 030x060 N2	SD 030x060 E2	30	60	44	20	24	1.82
	Material number	20020687	20047934	20047885						
	T _{2Max} [Nm]	550	375	230						
VH ⁺ / NVH / CVH 063	Ordering code	SD 036x072 S2V	SD 036x072 N2V	SD 036x072 E2	36	72	52	22	27.5	3.94
	Material number	20020688	20047530	20035055						
	T _{2Max} [Nm]	640	560	450						
VH ⁺ 080	Ordering code	SD 050x090 S2V	SD 050x090 N2V	SD 050x090 E2	50	90	68	26	31.5	11.1
	Material number	20020689	20047935	20047937						
	T _{2Max} [Nm]	1400	950	900						
VH ⁺ 100	Ordering code	SD 062x110 S2V	SD 062x110 N2	SD 062x110 E2	62	110	80	29	34.5	27
	Material number	20020690	20047927	20047860						
	T _{2Max} [Nm]	2300	1540	1000						

*Applicable to the unclamped condition. ** Maximum torque without axial forces. Shrink discs suitable for XP⁺ gearboxes upon request

One shrink disk per gearhead is sufficient.
Refer to the operating manual for information on correct shrink disc installation and additional cleaning instructions, particularly for stainless steel shrink disks.
The instructions are enclosed with the order.

Mounting / operating manual at www.wittenstein-alpha.de/en/

Recommendation for the load shaft:

Tolerance h6

Surface roughness ≤ Rz 16

Minimum yield strength (standard) Rp 0.2 ≥ 385 N/mm²

Minimum yield strength (nickel-plated) Rp 0.2 ≥ 260 N/mm²

Minimum yield strength (stainless steel) Rp 0.2 ≥ 260 N/mm²

The shrink disc is not included in the scope of delivery of the gearhead. Therefore, it must be ordered separately.

Support at each interaction stage

With the WITTENSTEIN alpha service concept, we are also setting new standards in the field of customer support.

Global presence

Our global consultation network will help you overcome your complex challenges through our extensive experience, a variety of design tools and individual engineering services.

Speed counts

Our speedline® team guarantees fast response times in the area of logistics. We provide on-site support during the installation and commissioning of mechanical systems to give you a sustained competitive edge.

Personal consultation

Our highly qualified and committed expert personnel will accompany you throughout the entire product lifecycle - around the clock. When it comes to customer support, you can count on us!

Design

Consultation
CAD POINT
cymex® select
Sizing software cymex®
Engineering

Installation

speedline® delivery
Installation on-site
Operating & installation instructions
Pick-up & return service



We are happy to advise you:

24 h service hotline: +49 7931 493-12900

No matter where you need us:

A comprehensive sales and service network provides quick availability and competent support worldwide.



Maintenance

- 24 h service hotline
- Maintenance and inspection
- Repair
- cymex® statistics
- Modernization

Training

- Product training
- Sizing training
- Installation training
- Service training

Support at each interaction stage

Design

Whatever your requirements are: we offer the right design methodology. Use the CAD POINT to gain easy access to CAD files, cymex® select for creating simple designs,

cymex® 5 for precise dimensioning and our engineering service for individual solutions.

Consultation

- Personal contact on-site
- Professional application calculations and drive design create the best solutions



CAD POINT

- 3D data of selected solution
- Online comparison with motor geometry
- Transparent and simple selection of required components

Engineering

Catalog gearboxes:

- Advanced software tools for accurate calculation, simulation and analysis of the drive train
- Optimization of your productivity and reduction in development costs



cymex® select

- Efficient and customizable product selection in seconds
- Top three product recommendations for your requirements
- Automatic geometry adjustment

Special gearboxes:

- Gearing design and development
- Development and production of special gearboxes
- Send all inquiries to: sondergetriebe@wittenstein.de



cymex® 5 sizing software

- Dimensioning, design and evaluation of the entire drive train
- Reliable, efficient design
- Optimization of drive system



Installation

All delivered products are perfectly matched to your application environment and fully operational right away.

Our service experts support you in the installation and commissioning of complex mechatronic systems, guaranteeing maximum availability of your plant.

speedline® delivery

Tel. +49 7931 493-10444

- Delivery of standard series in 24 or 48 hours ex works*
- Outstanding flexibility for fast deliveries at short notice



WITTENSTEIN Service Portal

- Instant Access to Product Information
- Quick Installation and Commissioning for example Tutorial-Videos

Installation on-site

- Professional installation
- Optimal integration of the system in your application
- Explanation of the drive function

Pick-up and return service

- Cost savings through minimization of downtimes
- Professional logistics organization
- Reduction of transport risks through customized, direct pick-up and delivery

Operating and installation instructions

- Detailed explanations of how to use the product
- Motor installation videos
- Assembly videos on rack and pinion system



* Non-binding delivery time depending on part availability.

Support at each interaction stage

Maintenance

WITTENSTEIN alpha guarantees fast repairs of the highest quality and precision – with short throughput times and intensive support. In addition, we will provide you with information about various measurements, material

analyses and condition monitoring inspections. You can rely on short response times, unbureaucratic processing and individual support.

24 h service hotline

Tel. +49 7931 493-12900

- Available round the clock
- Personal, prompt service for resolving time-critical maintenance issues

cymex® statistics

- Systematic field data acquisition
- Reliability calculations (MTBF)
- Customized evaluations

Maintenance and inspection

- Documentation regarding condition and expected service life
- Maintaining required state
- Customized maintenance schedules



WITTENSTEIN Service Portal

- Fast Processing of Replacement Products
- The Right Contact for Queries
- Tailor-Made Maintenance Services

Repair

- Restoring to required state
- Short throughput times
- Immediate response in time-critical situations

Modernization

- Professional retrofitting
- Reliable compatibility testing of existing solutions



Training

Discover how our products function and how they can add value to your application. We offer you training courses at our premises or on-site at your plant. Benefit from

practice-oriented learning methods and a highly skilled team of trainers.

Product training

Greater knowledge enables greater achievement. We will be pleased to share our expert knowledge with you: Profit from our many years of experience and learn more about the product portfolio of WITTENSTEIN alpha.

Installation training

We offer you individual training courses on-site for your system application of selected linear axes as well as professional installation.

Sizing training

Become a design expert! We will provide you with training courses on our design software, adapted to your requirements. Whether for beginners or experts, for occasional or regular users – we adapt our training course to your wishes and requirements.

Service training

Participation in a service training course is a prerequisite for sourcing spare parts at the parts list level. We offer you training courses at our premises or on-site at your plant. Moreover, we regularly host maintenance workshops at which the participants are instructed in safe handling during mounting of the motor to the gearbox as well as the independent replacement of wearing parts and gearbox assemblies.



The WITTENSTEIN group – The company and its fields of business



WITTENSTEIN

With approximately 2,800 employees worldwide, the WITTENSTEIN group stands for innovation, precision and excellence in the world of mechatronic drive technology, both nationally and internationally. The group is active in seven innovative fields of business. Furthermore, WITTENSTEIN group is represented by some 60 subsidiaries in around 40 countries in all important technology and sales markets worldwide.



Our fields of expertise

We provide know-how for a host of different sectors:

- Machine and plant construction
- Software development
- Aerospace
- Automotive & E-mobility
- Energy
- Oil & Gas Exploration and Production
- Medical technology
- Measurement and testing technology
- Nanotechnology
- Simulation

The WITTENSTEIN Group



WITTENSTEIN alpha GmbH
High-precision servo drives and linear systems



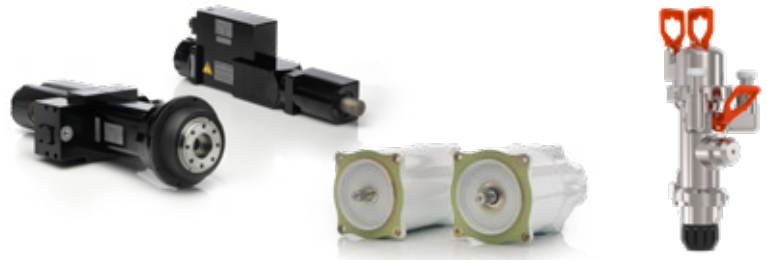
WITTENSTEIN cyber motor GmbH
Highly dynamic servo motors and drive electronics



WITTENSTEIN galaxie GmbH
Superior gearboxes and drive systems



WITTENSTEIN motion control GmbH
Drive systems for the most extreme environmental requirements



attocube systems AG
Nanoprecision drive and measurement technology solutions



baramundi software GmbH
Secure management of the IT infrastructure in offices and production



WITTENSTEIN – one with the future

alpha Premium Line – Gearbox design

We recommend using **cymex® 5 sizing software** to dimension the complete drive train in detail.



cymex® 5
– Calculate on the Best

- Detailed calculation of complete drive trains
- Precise simulation of motion and load variables
- Downloadable software for complex designs

www.wittenstein-cymex.com



Operating mode:

In order to assess the application in detail, a distinction must be made between two operating modes.

1. Cyclic operation S5:

- Number of cycles ≤ 1000 /hour
- Duty cycle $< 60\%$ and < 20 minutes

Recommended gearbox model:
Standard / HIGH TORQUE version

2. Continuous operation S1:

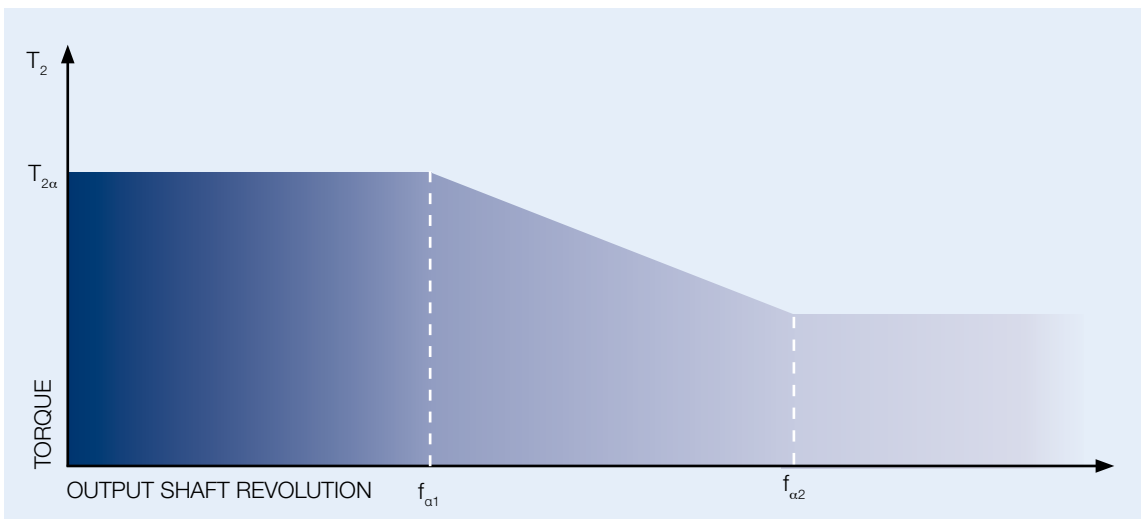
- Duty cycle $\geq 60\%$ or ≥ 20 minutes

Recommended gearbox model:
HIGH SPEED version

Max. torque $T_{2\alpha}$:

$T_{2\alpha}$ represents the maximum torque transmitted by the gearbox. Once the number of cycles and the shock factor have been determined, the maximum acceleration torque can be calculated at the output ($T_{2b, fs}$). The maximum torque $T_{2\alpha}$ must be reduced in line with the relevant output shaft revolutions (f_d).

The calculated torque $T_{2b, fs}$ must not exceed the maximum torque $T_{2\alpha}$ of the gearboxes.



Torque in line with the relevant output shaft revolution

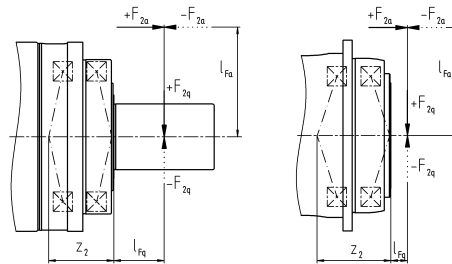
Max. tilting torque M_{2kmax} :

The maximum tilting moment M_{2kmax} can be calculated using the following formula:

$$M_{2kmax} = \frac{F_{2aMax} \cdot l_{Fa} + F_{2qMax} \cdot (l_{Fq} + Z_2)^a}{W^b}$$

a) l_{Fa} , l_{Fq} , Z_2 in mm
b) $W = 1000$ (metric)

Example with output shaft and flange:



One prerequisite of the calculation is that the axial force is applied centrally and does not exceed 37 % in relation to the radial force.

XP*		010	020	030	040	050
Z_2	[mm]	75.3	91.5	115	101.2	128.4
	[in]	2.96	3.60	4.53	3.98	5.06

RP*		030	040	050	060	080
Z_2	[mm]	93.5	106.1	141.9	181.9	195.6
	[in]	3.68	4.18	5.59	7.16	7.70

Drive options:



Clamping hub with socket (standard)



Optimized mass inertia clamping hub –
For highly dynamic applications



Clamping hub with keyed socket –
the form fit connection for even the
highest safety requirements



Glossary – the alphabet

Acceleration torque (T_{2B})

The acceleration torque T_{2B} is the torque that the gearbox toothing can permanently transmit. To calculate the acceleration torque, an \rightarrow **coefficient of impact** which is appropriate for the application must also be taken into account.

Adapter plate

WITTENSTEIN alpha uses a system of standardized adapter plates for connecting the motor and gearbox. This makes it as simple as possible to attach motors from any manufacturer to WITTENSTEIN alpha gearboxes.

Angle of rotation

Angle by which the connection element of the coupling rotates under the torque load. The admissible angle of rotation for torsionally rigid couplings is $< 0.05^\circ$ and for vibration-damping couplings $< 5^\circ$.

Angular minute

A degree is subdivided into 60 angular minutes (= 60 arcmin = $60'$).

Example:

If the backlash is $j_t = 1$ arcmin, the output may rotate by $1/60^\circ$. The impacts on the application are determined by the arc length: $b = 2 \cdot \pi \cdot r \cdot \alpha^\circ / 360^\circ$.

Example:

A pinion with a radius $r = 50$ mm mounted on a gearbox with a backlash of $j_t = 3$ arcmin can be rotated by $b = 0.04$ mm.

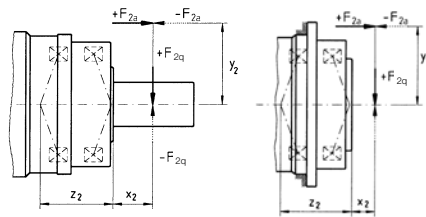
Angular misalignment

Angular misalignment of drive and output shaft. In most cases due to assembly. Causes an increased strain on the coupling.

Axial force (F_{2AMax})

An axial force on a gearbox runs parallel to its output shaft or perpendicular to its output flange. Under certain circumstances, it acts offset from the axis with a lever arm y_2 . In this case, it also creates a bending moment. If the axial force exceeds the permissible catalog values (max. axial force F_{2AMax}), an additional component (e.g. axial bearing) must be provided to absorb these forces.

Example with output shaft and flange:



Axial misalignment

Length variation along the longitudinal axes of the drive and output shaft. Generally caused by thermal expansion.

Axial spring rigidity (C_a)

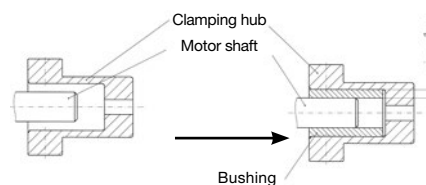
Counter-force of the coupling in the event of axial misalignment [N/mm]. This additional force should be taken into consideration in the sizing of the drive train and bearings.

Backlash-free

Changes in the rotational speed, direction of rotation or torque do not cause any backlash and thus no shocks in the coupling. However, it should be noted that an \rightarrow **angle of rotation** still occurs.

Bushing

If the diameter of the motor shaft is smaller than the \rightarrow **clamping hub**, a bushing is used to compensate for the difference in diameter. A minimum wall thickness of 1 mm and a motor shaft diameter of 2 mm difference are required.



CAD POINT

Performance data, dimension sheets and CAD data for all gearboxes can be found online in our CAD POINT, including clear documentation of the selection. (www.wittenstein-cad-point.com)

Clamping hub (couplings)

The clamping hub ensures a friction contact connection between the coupling and the gearbox shaft as well as with the application. Clamping hubs are available in all motor shaft diameters; therefore, a bushing as connection piece is not required and also not recommended. Optionally, a form fit connection via a key is also possible.

Clamping hub (gearbox)

The clamping hub ensures a friction contact connection between the motor shaft and gearbox. If the diameter of the motor shaft is smaller than the diameter of the clamping hub, a \rightarrow **bushing** is used as a connection piece.

For gearboxes in the alpha Advanced Line and the alpha Premium Line, a form fit connection via a key is also possible.

Connection between the clamping hub and the metal bellows

For metal bellows couplings which transmit torques of up to 500 Nm, the stainless steel bellow is bonded onto the clamping hub. In the event of higher torques, the connection is welded.

Continuous operation (S1)

In continuous operation, it is particularly important to ensure that the maximum gearbox temperature is maintained (see temperature behavior). For optimum drive behavior in continuous operation, we recommend our HIGH SPEED gearbox model.

Cyclic operation (S5)

The cyclic operation is defined via the \rightarrow **duty cycle**. If the duty cycle is less than 60% and shorter than 20 minutes, it qualifies as cyclic operation (\rightarrow **operating modes**).

cymex®

cymex® is the calculation software developed by our company for dimensioning complete drive trains. The software enables the precise simulation of motion and load variables. The software is available to download from our website (www.wittenstein-cymex.de). We can also provide training to enable you to make full use of all the possibilities provided by the software.

cymex® select

The cymex® select quick layout tool from WITTENSTEIN alpha allows for efficient and innovative product selection in seconds and is available online.

You get suitable recommendations for your application and your motor in no time based on technical and economic suitability. (cymex-select.wittenstein-group.com)

Degrees of protection (IP)

The various degrees of protection are defined in DIN EN 60529 “Degrees of protection offered by enclosures (IP code)”. The IP degree of protection (International Protection) is represented by two digits. The first digit indicates the protection against the ingress of impurities and the second is the protection against the ingress of water.

Example:

IP65

Protection against the ingress of dust (dust-proofness)

Protection against water jets

Disengagement torque (T_{Dis})

Adjustable torque of torque limiters with which the coupling separates the drive and output side of the system.

Duty cycle (DC)

The cycle determines the duty cycle (DC). The times for acceleration (t_b), constant travel if applicable (t_c) and deceleration (t_d) combined yield the duty cycle in minutes.

The duty cycle is expressed as a percentage with inclusion of the dwell time t_e .

$$DC [\%] = \frac{t_b + t_c + t_d}{t_b + t_c + t_d + t_e} \cdot 100 \quad \frac{\text{Motion duration}}{\text{Cycle time}}$$

$$DC [\text{min}] = t_b + t_c + t_d$$

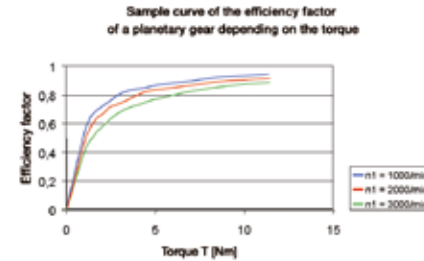
Dynamic torsional rigidity (C_{Tdyn})

Torsional rigidity with T_N

Efficiency (η)

The efficiency [%] η is the ratio of output power to input power. Power lost through friction reduces efficiency to less than 1 or 100%.

$$\eta = P_{\text{off}} / P_{\text{on}} = (P_{\text{on}} - P_{\text{loss}}) / P_{\text{on}}$$



WITTENSTEIN alpha always indicates the efficiency of a gearbox during operation at full load. If the input power or torque is lower, the efficiency rating is also lower due to the constant no-load torque. Power losses do not increase as a result. A lower efficiency is also to be expected at high speeds (see figure).

Emergency stop torque (T_{2Emer})

The emergency stop torque T_{2Emer} is the maximum permissible torque at the gearbox output. It must not be reached more than 1000 times during the service life of the gearbox. It must never be exceeded! The following cases in particular should be checked: controlled emergency stop, power failure, brake application, and crash.



Ex symbol

Devices bearing the Ex symbol comply with EU Directive 94 / 9 / EC (ATEX) and are approved for use in defined explosion-hazardous zones.

Detailed information on the explosion group and category, as well as further information on the respective gearbox, is available upon request.

Food-grade lubrication (F)

These products are designed with food-grade lubrication and can therefore be used in the food industry. It is important to note the reduction in torque compared to the standard. (V-Drive excluded). See cymex® 5 or the CAD POINT for the exact torques.

HIGH SPEED (MC)

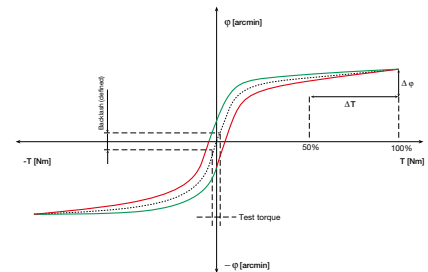
The HIGH SPEED version of our gearbox has been specifically developed for applications in continuous operation at high input speeds. It is used, for example, in the printing and the packaging industry.

HIGH TORQUE (MA)

WITTENSTEIN alpha gearboxes are also available in a HIGH TORQUE version. These gearboxes are particularly suitable for applications requiring extremely high torques and maximum rigidity.

Hysteresis curve

The hysteresis is measured to determine the torsional rigidity of a gearbox. The result of this measurement is known as the hysteresis curve.



If the input shaft is locked, the gearbox is continuously loaded and relieved at the output in both directions of rotation up to a defined torque. The angle of rotation is plotted against the torque. This yields a closed curve from which the → **backlash** and → **torsional rigidity** can be calculated.

Jerk (j)

The jerk is the derivative of the acceleration with respect to time, that is, the change in acceleration in a unit of time. It is referred to as a shock if the acceleration curve shows a jump, i.e. the jerk is infinitely large.

Lateral force (F_{2QMax})

The maximum lateral force F_{2QMax} [N] is the force component that acts perpendicular to the output shaft or parallel to the output flange. It acts perpendicular to the → **axial force** and can have an axial distance x_2 to the shaft shoulder or to the shaft flange that acts as a lever arm. The lateral force creates a side load (also see → **axial force**).

→ Refer to this term for further details.

Glossary – the **alphabet**

Lateral misalignment

Parallel misalignment of the drive and output shaft. Causes an additional strain on the bearings and other components of the drive train.

Lateral spring rigidity (C)

Counter-force of the coupling in the event of lateral misalignment [N/mm]. This additional force should be taken into consideration in the sizing of the drive train and bearings.

Load factor (f_s) (gearbox)

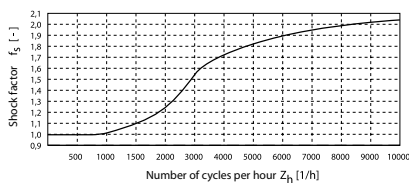
The maximum admissible acceleration torque (T_{2B}) indicated in the catalog in cyclic operation applies to less than 1000 cycles/h. Greater numbers of cycles in connection with shorter acceleration times can lead to oscillations in the drive train. The resulting excessive torque increases are taken into consideration with the load factor f_s berücksichtigt.

WITTENSTEIN alpha suggests taking these unknown overloads into account using the following curve.

This determined value is multiplied by the actual acceleration torque T_{2b} before it is compared with the maximum permissible acceleration torque T_{2B}.

$$(T_{2b} \cdot f_s = T_{2b}, f_s < T_{2B})$$

The following applies to gearboxes:



The following applies to couplings:

Number of cycles Z _h [1/h]	Metal bellow couplings and torque limiters	Elastomer couplings
< 1000	1.0	1.0
< 2000	1.1	1.2
< 3000	1.2	1.4
< 4000	1.8	1.8
> 4000	2.0	2.0

Mass moment of inertia (J)

The mass moment of inertia J [kg/cm²] is a measurement of the effort applied by an object to maintain its momentary condition (at rest or moving).

Maximum torque (T_{2α})

T_{2α} represents the maximum torque that can be transmitted by the gearbox. Depending on application-specific boundary conditions and the precise evaluation of the motion profile, the gearbox may be operated with a maximum torque T_{2b,fs} above the specified maximum acceleration torque T_{2B} (See diagram 3.) For detailed sizing, please use cymex cymex®

$$T_{2\alpha} \geq T_{2b,fs} \geq T_{2B}$$

No-load running torque (T₀₁₂)

The no-load running torque T₀₁₂ is the torque which must be applied to a gearbox in order to overcome the internal friction; it is therefore considered lost torque. The WITTENSTEIN alpha catalog values are determined at a speed n₁ = 3.000 min⁻¹ and an ambient temperature of 20°C.

$$T_{012}: \quad 0 \quad \quad 1 \rightarrow 2$$

no load from input side toward
output side

No-load running torques decrease during operation.

NSF

Lubricants certified as grade H1 by the NSF (National Sanitation Foundation) can be used in the food sector where occasional unavoidable contact with food cannot be excluded.

Operating modes (continuous operation S1 and cyclic operation S5)

Gearboxes are selected depending on whether the motion profile is characterized by frequent acceleration and deceleration phases in → **cyclic operation** (S5) as well as dwell times, or whether it is designed for → **continuous operation** (S1), i.e. with long phases of constant motion.

Operating noise (L_{PA})

The gear ratio and speed influence the operating noise. As a general rule, the higher the speed, the higher the operating noise and the higher the gear ratio, the lower the operating noise. Our catalog specifications refer to a reference gear ratio and speed. The reference speed is n₁ = 3000 rpm or n₁ = 2000 rpm, depending on the size of the gearbox. Ratio-specific values can be found in cymex® - www.wittenstein-cymex.com

Output shaft revolution (f_α)

The factor f_α determines the number of service life cycles for the required service life of the gearbox. It describes the number of revolutions at the output to assess the permissible torque at the output.

Positioning accuracy

The positioning accuracy is determined by the angular deviation from the setpoint and is the sum of the load-dependent → **(torsional rigidity and torsional backlash)** and kinematic → **(synchronization)** angles of rotation that occur simultaneously in practice.

Quality control

All Premium and Advanced gearboxes at WITTENSTEIN alpha are subjected to an outgoing inspection before they leave the factory. This ensures that every gearbox is delivered within specification.

Ratio (i)

The ratio i indicates the factor by which the gearbox transforms the three relevant parameters of motion (speed, torque and mass moment of inertia).

The factor is a result of the geometry of the toothing elements (example.: i = 10).

$$n_1 = 3000 \text{ min}^{-1} \xrightarrow{i} T_2 = 200 \text{ Nm}$$

$$T_1 = 20 \text{ Nm} \xrightarrow{i} n_2 = 300 \text{ min}^{-1}$$

$$J_1 = 0,10 \text{ kgm}^2 \xrightarrow{i} J_2 = 10 \text{ kgm}^2 \text{ (Application)}$$

Ratio of mass moment of inertia ($\lambda = \text{lambda}$)

The ratio of mass moment of inertia λ is the ratio of external inertia (application side) to internal inertia (motor and gearbox side). It is an important parameter determining the controllability of an application. Accurate control of dynamic processes becomes more difficult with increased differing mass moments of inertia and as λ becomes greater. WITTENSTEIN alpha recommends that a guideline value of $\lambda < 5$ is maintained. A gearbox reduces the external mass moment of inertia by a factor of $1/i^2$.

$$\lambda = \frac{J_{\text{external}}}{J_{\text{internal}}}$$

J_{external} reduced to input:

$$J'_{\text{external}} = J_{\text{external}} / i^2$$

Simple applications ≤ 10
 Dynamic applications ≤ 5
 Highly dynamic applications ≤ 1

Safety instruction

For applications with special safety requirements (e.g. vertical axes, distorted gear inputs) we recommend exclusively employing our Premium and Advanced products (V-Drive excluded).

Servo actuators

In addition to a high-precision planetary gearbox, the servo actuator is equipped with a powerful, permanent magnet synchronous servo motor, which ensures high power density and a high speed stability thanks to the distributed winding. This enables even more compact and powerful linear drives to be realized. The investment costs for the drive train and the ongoing operating costs can be positively influenced by downsizing. The goal is to achieve a smaller input and therefore a smaller servo controller and lower energy consumption with the same productivity. A low mass moment of inertia combined with higher rigidity is the way to achieve this.

Shaft misalignment

One main function of the coupling is the compensation of the shaft misalignment which occurs in almost all applications between the drive and the output side. A distinction is made between \rightarrow axial, \rightarrow lateral- and \rightarrow angular misalignment. When complying with the indicated maximum misalignment, the couplings are safe for the duration of their service life.

Slipping torque

With a smaller clamping hub diameter, it is possible that the transmittable torque of the shaft-hub connection is lower than the maximum accelerating torque T_B of the coupling. In particular, this is applicable to the series BC3, BCT Standard, EL6 and ELC. More detailed information is available on request.

Speed (n)

The permitted maximum speed $n_{1\text{Max}}$ must be compared with the maximum speed $n_{1\text{max}}$ during operation. The maximum permissible speed $n_{1\text{Max}}$ must not be exceeded at any time.

The average speed n_{im} is determined as the arithmetic mean of the speeds in the cycle or over a maximum of 20 minutes. It must be below the permitted nominal speed n_{1N} at all times. This applies to both cyclic and continuous operation.

$$n_{1\text{m}} = \frac{|n_{1,0}| \cdot t_0 + \dots + |n_{1,n}| \cdot t_n}{t_0 + \dots + t_n} \text{ with } \sum_0^n t_n \leq 20\text{min} \text{ incl. pause time}$$

WITTENSTEIN alpha determines the thermal speed limit or thermal limit of the nominal speed in the laboratory at an ambient temperature of 20°C while maintaining a gearbox temperature of 90°C.

speedline® delivery

If required, standard series can be delivered within 24 or 48 hours ex works. Fast deliveries at short notice thanks to a high level of flexibility

Spring rigidity (C)

Counter-force of the coupling in the event of axial or lateral misalignment [N/mm]. A distinction is made between \rightarrow axial and \rightarrow lateral spring rigidity.

Static torsional rigidity ($C_{T\text{stat}}$)

Torsional rigidity at 50 % T_N

Synchronous run

The synchronous run refers to the measurable variation in speed between the input and output during one revolution of the output shaft. It is caused by manufacturing tolerances and results in ratio fluctuations within one revolution.

Technical data

Further technical data for our complete product portfolio is available to download from our website.

Temperature factor (f_t)

With elastomer couplings, the ambient temperature impacts the maximum admissible accelerating torque of the coupling. This is taken into consideration in the coupling design by means of the temperature factor f_t . The temperature factor depending on the elastomer insert used can be determined by means of the table.

Temperature °C	Elastomer insert			Metal bellows
	A	B	C	
> -30 to -10	1.5	1.3	1.4	1.0
> -10 to +30	1.0	1.0	1.0	1.0
> +30 to +40	1.2	1.1	1.3	1.0
> +40 to +60	1.4	1.3	1.5	1.0
> +60 to +80	1.7	1.5	1.8	1.0
> +80 to +100	2.0	1.8	2.1	1.0
> +100 to +120	-	2.4	-	1.0

\rightarrow Refer to this term for further details.

Glossary – the **alphabet**

Thermal behavior - temperature

It is necessary to measure the maximum temperature of the gearbox in the application.

The gearbox temperature is significantly influenced by the following application-specific factors:

- Load spectrum with nominal torque and nominal speed
- Motor temperature (e.g. heat input from the motor)
- Heat dissipation to the machine interface (e.g. mounting on a stainless steel structure or very thin mounting plates)
- Convection (e.g. convection prevented by installation location)
- Ambient temperature (e.g. excessively high ambient temperature of the air and the mechanical interface parts)

If the permissible gearbox temperature is exceeded, the service life of the gearbox is reduced considerably.

Tilting moment (M_{2k})

The tilting moment M_{2k} is a result of the **axial and lateral forces** applied and their respective force application points in relation to the inner radial bearing on the output side.

Tilting rigidity

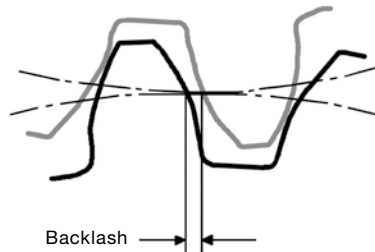
The tilting rigidity C_{2k} of the gearbox is made up of the bending rigidity of the output or pinion shaft and the bearing stiffness of the output bearing. It is defined as a quotient of the tilting moment M_{2k} [Nm] and tilting angle Φ [arcmin] ($C_{2k} = M_{2k} / \Phi$).

Tooth engagement frequency (f_z)

In certain circumstances, the tooth engagement frequency can lead to vibration problems in the application, specifically if the excitation frequency corresponds to a natural frequency of the applications. For planetary gearboxes from WITTENSTEIN alpha (exception: gearboxes with ratio $i = 8$) the tooth engagement frequency can be calculated using the formula $f_z = 1,8 \cdot n_2$ [min⁻¹]. It is independent of the ratio in planetary gearboxes from Wittenstein alpha. If it does prove problematic, either the natural frequency of the system can be changed or a different gearbox (e.g. hypoid gearbox) with a different tooth engagement frequency can be chosen.

Torsional backlash (j_t)

Torsional backlash j_t [arcmin] describes the maximum angle of rotation of the output shaft in relation to the input. In simple terms, the torsional backlash describes the distance between two tooth flanks.

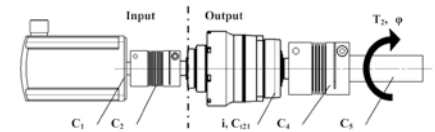


The measurement is taken with the input shaft blocked.

The output is then loaded with a defined test torque in order to overcome the internal gearbox friction. The main influence of the backlash is the flank backlash between the teeth. The low torsional backlash of the WITTENSTEIN alpha gearbox is achieved through high manufacturing precision and selective combination of the toothed wheels.

Torsional rigidity (C_{t21}) (gearbox)

The torsional rigidity [Nm/arcmin] C_{t21} is defined as the quotient of applied torque and resulting angle of rotation ($C_{t21} = \Delta T / \Delta \Phi$). It indicates the torque required to turn the output shaft by one angular minute. The torsional rigidity can be determined using the **hysteresis curve** Torsional rigidity C , angle of rotation Φ



Reduce all torsional rigidity to the output:

$$C_{(n),ab} = C_{(n),an} \cdot i^2$$

with i = gearbox ratio [-]

$C_{(n)}$ = Individual rigidities [Nm/arcmin]

Note: The torsional rigidity C_{t21} for the gearbox always relates to the output.

Series connection of torsional rigidities

$$1/C_{ges} = 1/C_{1,ab} + 1/C_{2,ab} + \dots + 1/C_{(n)}$$

Angle of rotation Φ [arcmin]

$$\Phi = T_2 \cdot 1/C_{ges}$$

with T_2 = output torque [Nm]

Torsional rigidity (C_t) (couplings)

The torsional rigidity [Nm/arcmin] C_t is defined as the quotient of applied torque and resulting angle of rotation. It shows the torque required to turn the two clamping hubs against each other by one angular minute. If the maximum value is exceeded, the coupling can no longer transmit the applied torque since the **angle of rotation** of the coupling becomes too large. A distinction is made between **static** and **dynamic torsional rigidity**.

Torque ($T_{2\alpha}$)

$T_{2\alpha}$ represents the maximum torque that can be transmitted by the gearbox. This value may be reduced depending on application-specific boundary conditions and the precise evaluation of the motion profile.



→ Refer to this term for further details.

Glossary – Formulae

Formulae

Torque [Nm]	$T = J \cdot \alpha$	J = Mass moment of inertia [kgm ² α = Angular acceleration [1/s ²]
Torque [Nm]	$T = F \cdot l$	F = Force [N] l = Lever, length [m]
Acceleration force [N]	$F_b = m \cdot a$	m = Mass [kg] a = Linear acceleration [m/s ²]
Frictional force [N]	$F_{\text{Reib}} = m \cdot g \cdot \mu$	g = Acceleration due to gravity 9.81 m/s ² μ = Coefficient of friction
Angular speed [1/s]	$\omega = 2 \cdot \pi \cdot n / 60$	n = Speed [rpm] π = PI = 3.14...
Linear speed [m/s]	$v = \omega \cdot r$	v = Linear speed [m/s] r = Radius [m]
Linear speed [m/s] (spindle)	$v_{\text{sp}} = \omega \cdot h / (2 \cdot \pi)$	h = Screw pitch [m]
Linear acceleration [m/s²]	$a = v / t_b$	t_b = Acceleration time [s]
Angular acceleration [1/s²]	$\alpha = \omega / t_b$	
Pinion path [mm]	$s = m_n \cdot z \cdot \pi / \cos \beta$	m_n = Normal module [mm] z = Number of teeth [-] β = Helix angle [°]

Conversion table

1 mm	= 0.039 in
1 Nm	= 8.85 in.lb
1 kgcm²	= 8.85 x 10 ⁻⁴ in.lb.s ²
1 N	= 0.225 lb _f
1 kg	= 2.21 lb _m

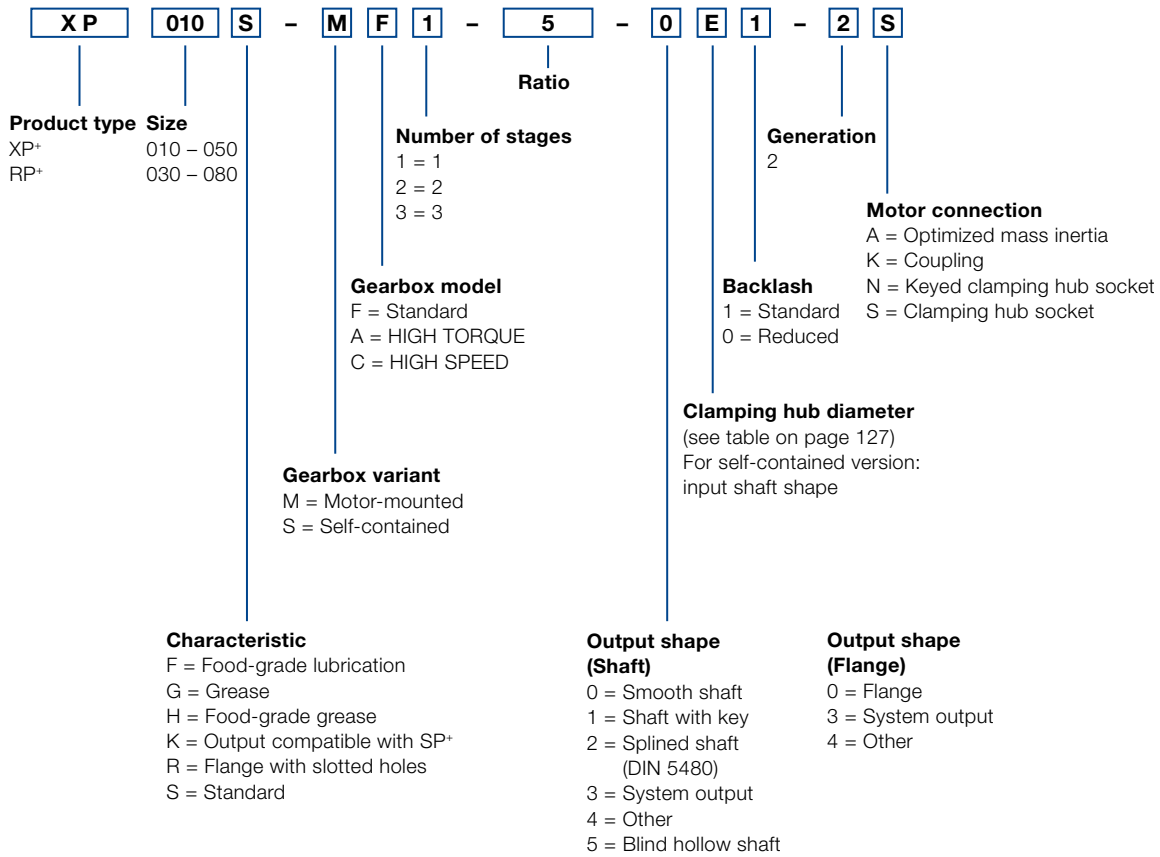
Symbol

Symbol	Unit	Designation
C	Nm/arcmin	Stiffness
ED	%, min	Duty cycle
F	N	Force
f_s	–	Load factor
f_e	–	Factor for duty cycle
i	–	Ratio
j	arcmin	Backlash
J	kgm ²	Mass moment of inertia
$K1$	Nm	Factor for bearing calculation
L	h	Service life
L_{PA}	dB(A)	Operating noise
m	kg	Mass
M	Nm	Torque
n	rpm	Speed
p	–	Exponent for bearing calculation
η	%	Efficiency
t	s	Time
T	Nm	Torque
v	m/min	Linear speed
z	1/h	Number of cycles

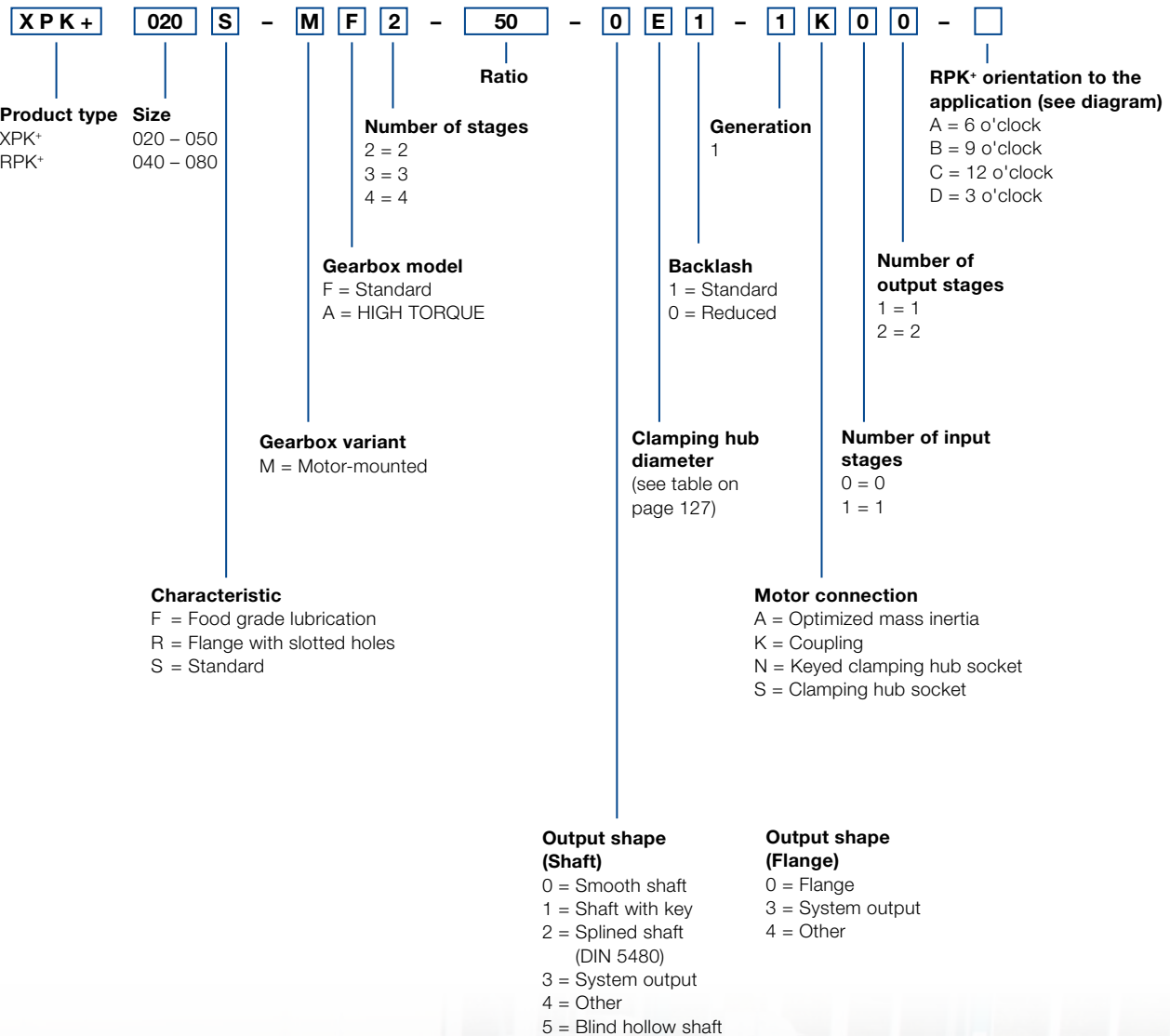
Index

Index	Designation
Capital letter	Permissible values
Small letter	Actual values
1	Input
2	Output
A/a	Axial
B/b	Acceleration
c	Constant
d	Deceleration
e	Pause
h	Hours
K/k	Tilting
m	Mean
Max/max	Maximum
Mot	Motor
N	Nominal
Not/not	Emergency stop
0	No load
Q/q	Lateral
t	Torsional
T	Tangential

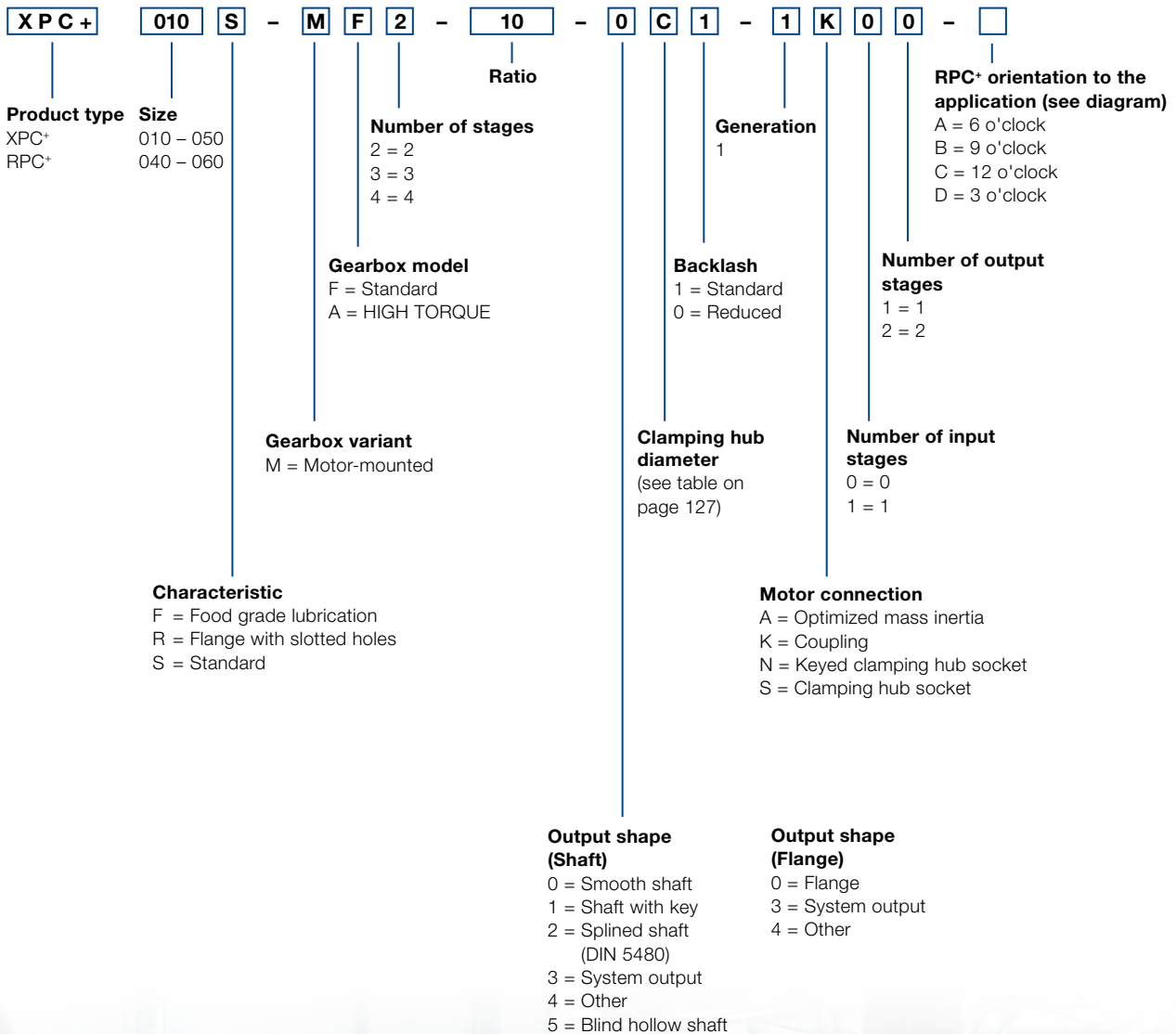
XP+ / RP+ – Ordering code



XPK+ / RPK+ – Ordering code



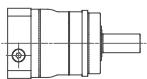
XPC+ / RPC+ – Ordering code



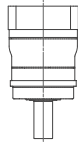
Mounting positions and clamping hub diameters

Planetary gearboxes

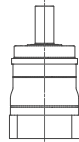
B5
Horizontal



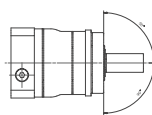
V1
Output vertical downwards



V3
Output vertical upwards



S
Can be tilted $\pm 90^\circ$ from a horizontal position



Clamping hub diameter

(see technical data sheet for possible diameters)

Code letter	mm	Code letter	mm
B	11	I	32
C	14	K	38
E	19	M	48
G	24	N	55
H	28	O	60

Intermediate sizes possible using bushings with a minimum thickness of 1 mm.

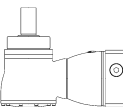
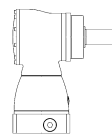
Hypoid and bevel gearboxes

For information purposes only – not required when placing orders!

Permitted standard mounting positions for right-angle gearboxes (see illustrations)

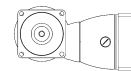
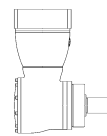
If the mounting position is different, contact WITTENSTEIN alpha without fail

B5/V3
Output horizontal / motor shaft vertical upwards



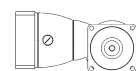
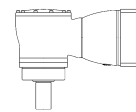
V3/B5
Output vertical upwards / motor shaft horizontal

B5/V1
Output horizontal / motor shaft vertical downwards



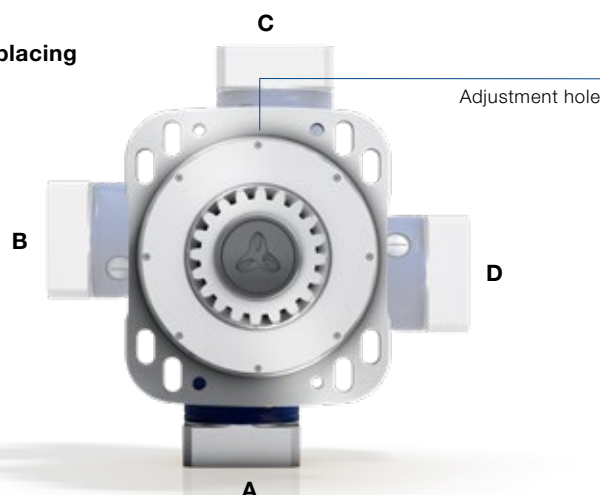
B5/B5
Output horizontal / motor shaft horizontal

V1/B5
Output vertical downwards / motor shaft horizontal



Orientation to the application

Please note the orientation when placing your order.





alpha

WITTENSTEIN alpha GmbH
Walter-Wittenstein-Straße 1
97999 Igersheim
Germany

Tel. +49 7931 493-0
24h-Service-Hotline: Tel. +49 7931 493-12900
speedline®: Tel. +49 7931 493-10444
info@wittenstein-alpha.com

Subject to technical changes. alpha Premium Line

WITTENSTEIN alpha – Intelligent drive systems

www.wittenstein-alpha.com

The entire world of drive technology – Catalogs available on request or online at www.wittenstein-alpha.com/catalogs



alpha Premium Line. Unique, individual solutions that offer unparalleled power density.



alpha Advanced Line. Maximum power density and outstanding positioning accuracy for complex applications.



alpha Basic Line & alpha Value Line. Reliable, flexible and economical solutions for a wide range of applications.



alpha Linear Systems. Precise, dynamic system solutions for every requirement.



alpha Mechatronic Systems. Energy-efficient, versatile and flexible mechatronic drive systems.



alpha Accessories. Optimally designed and adapted for gearboxes and actuators.